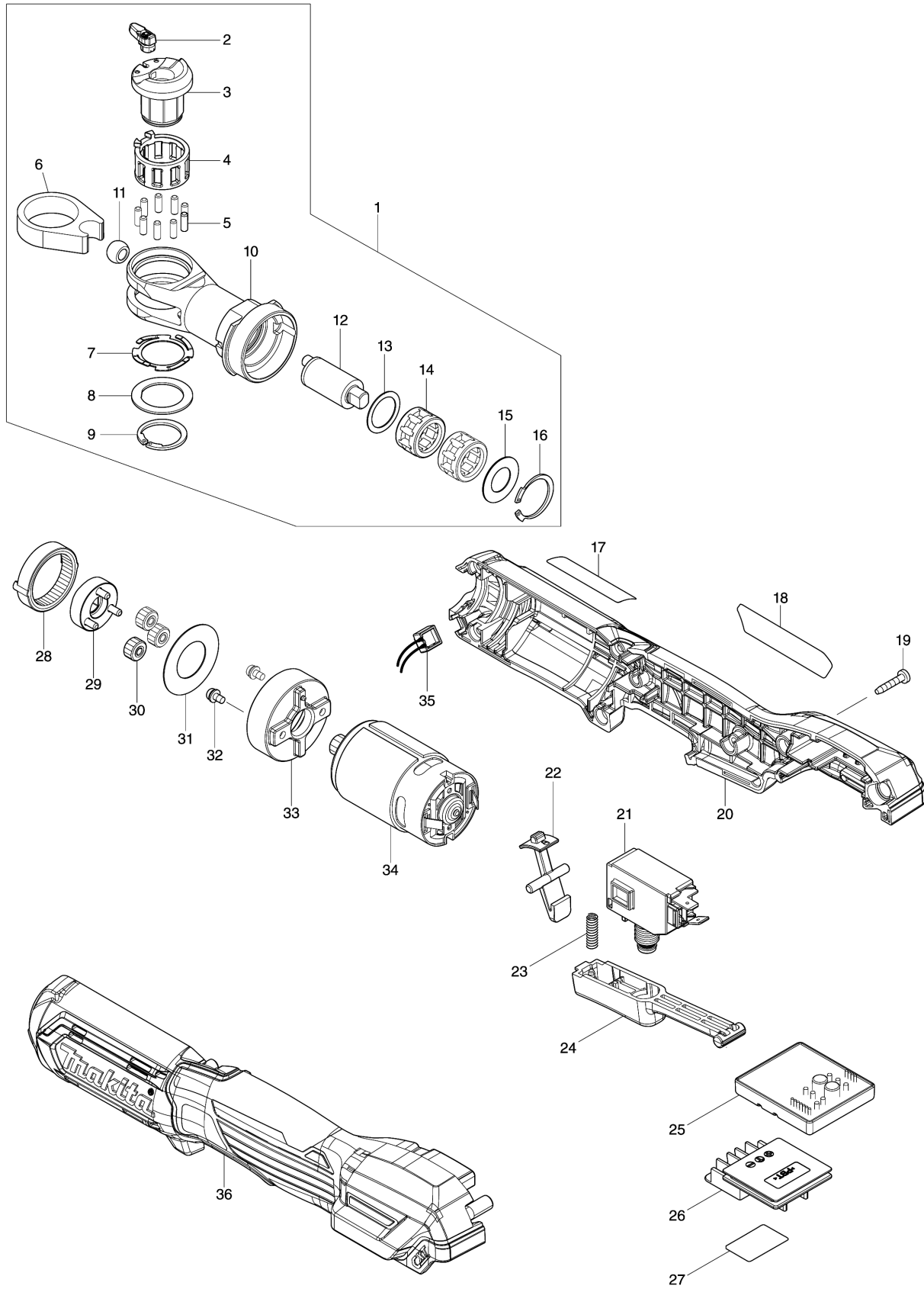


Model No.WR100D CORDLESS RATCHET WRENCH



Model No.WR100D CORDLESS RATCHET WRENCH

Item	Parts No.	Description	I/C	Qty	New/Old	Opt. 1	Opt. 2	Note
001	127297-7	HEAD ASSEMBLY		1				
D10		INC. 2-16						
002	140K70-4	LEVER COMPLETE		1				
003	327360-8	ANVIL		1				
004	310954-6	RETAINER RING		1				
005A	268301-4	PIN 3		9	*			
005-1A	256963-0	PIN 3	O	9				
005-1B	256963-0	PIN 3		9				
006	327357-7	RATCHET RING		1				
007	232531-3	LEAF SPRING		1				
008	253440-3	FLAT WASHER 19		1				
009	961078-7	RETAINING RING (EXT) S-18		1				
010	327356-9	RATCHET HEAD		1				
011	327359-3	BUSH		1				
012	327358-5	SPINDLE		1				
013	253147-1	FLAT WASHER 15		1				
014	212228-0	NEEDLE CAGE 1412		2				
015	253084-9	FLAT WASHER 12		1				
016	962112-6	RETAINING RING R-22		1				
018	855X38-2	WR100D NAME PLATE		1				
019	266429-2	TAPPING SCREW 3X16		7				
020	183L81-2	HOUSING SET		1				
D10		INC. 36						
021	651391-8	SWITCH C3JW-6BM-PN		1				
022	459422-5	LOCK LEVER		1				
023	232353-1	COMPRESSION SPRING 4		1				
024	459421-7	SWITCH LEVER		1				
025	620A96-7	CONTROLLER		1				
D10		INC. 35						
026	644813-5	TERMINAL		1				
027	855X44-7	WR100D SERIAL NO. LABEL		1				
028	226897-1	INTERNAL GEAR 41		1				
029	140K71-2	CARRIER COMPLETE		1				
030	226898-9	SPUR GEAR 14		3				
031	267235-8	FLAT WASHER 18		1				
032	265A38-0	P.H.SCREW M3X6 WITH WR		2				
033	310953-8	INTERNAL GEAR CASE		1				
034	629413-2	DC MOTOR		1				
035	620B10-9	LED CIRCUIT		1				
036	183L81-2	HOUSING SET		1				
D10		INC. 20						
A01	191A50-3	SOCKET ADAPTOR 9.5 SET		1				

Model No.WR100D CORDLESS RATCHET WRENCH

Item	Parts No.	Description	I/C	Qty	New/Old	Opt. 1	Opt. 2	Note
C10	231952-6	RING SPRING 12		1				
A02	191A51-1	SOCKET ADAPTOR 6.35 SET		1				
C10	231952-6	RING SPRING 12		1				
A03B	***DC10WD	DC10WD BATTERY CHARGER		1				
D10		COMPO-PARTS						
A04B	197396-9	BATTERY BL1021B SET		1				
A09B	832071-7	TOOL BAG		1				
A10B	456128-6	BATTERY COVER		1				

Please order the parts with part number.

Print Date 31/3/2020