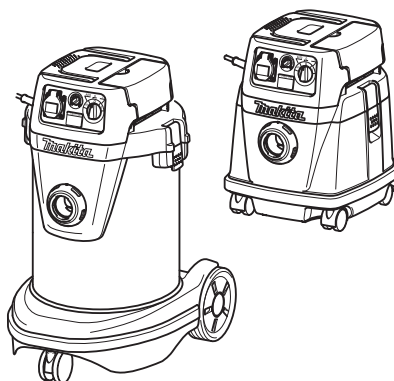


INSTRUCTION MANUAL





Vacuum Cleaner

VC1310L
VC2510L
VC3210L



Read before use.

SPECIFICATIONS





Model		VC1310L / VC2510L / VC3210L							
Countries		EU	AU / NZ	GB / HK 110V	GB 230V	CL	AR / CH	Middle East countries and Africa	
Voltage	Volt	230 - 240	230 - 240	110	230 - 240	220	230 - 240	220 - 240	230 - 240
Power consumption	Watt	1050	1050	1050	1050	1050	1050	1050	1050
Connected load for appliance socket	Watt at  symbol mode	2400	1200	600	1900	2200	1100	1800	1900
	Watt at  symbol mode	2600	1400	850	2100	2500	1400	2000	2100
Total connected load	Watt	3450	2250	1650	2950	3250	2150	2850	2950

Model		VC1310L	VC2510L	VC3210L
Volume flow (air)		2.0 m ³ /min		
Vacuum		22 kPa		
Protection class		1		
Type of protection		IP X4 (splash-proof)		
Recoverable capacity	Dust	13 L	25 L	32 L
	Water	7 L	14 L	27 L
Dimensions (L x W x H)		366 mm x 334 mm x 420 mm	432 mm x 416 mm x 451 mm	552 mm x 398 mm x 685 mm
Net weight		9.6 kg	10.5 kg	14.5 kg

- Due to our continuing program of research and development, the specifications herein are subject to change without notice.
- Specifications may differ from country to country.
- Weight according to EPTA-Procedure 01/2003

Symbols

The following show the symbols used for the equipment. Be sure that you understand their meaning before use.

	Read instruction manual.
	Warning! The cleaner may contain hazardous dust.
	Never stand on the cleaner.
	Only for EU countries Do not dispose of electric equipment together with household waste material! In observance of the European Directive, on Waste Electric and Electronic Equipment and its implementation in accordance with national law, electric equipment that have reached the end of their life must be collected separately and returned to an environmentally compatible recycling facility.

Intended use

The tool is intended for collecting both wet and dry dust. The tool is suitable for commercial use, for example in hotels, schools, hospitals, factories, shops, offices and rental businesses.

Power supply

The tool should be connected only to a power supply of the same voltage as indicated on the nameplate, and can only be operated on single-phase AC supply. This tool should be grounded while in use to protect the operator from electric shock. Use only three-wire extension cords which have three-prong grounding-type plugs and three-pole receptacles which accept the tool's plug.

Noise

The typical A-weighted noise level determined according to EN/IEC60704:

Model VC1310L

Sound pressure level (L_{pA}): 72 dB (A)

Uncertainty (K): 2.5 dB (A)

The noise level under working may exceed 80 dB (A).

Model VC2510L, VC3210L

Sound pressure level (L_{pA}): 73 dB (A)

Uncertainty (K): 2.5 dB (A)

The noise level under working may exceed 80 dB (A).

Wear ear protection

Vibration

The vibration total value (tri-axial vector sum) determined according to EN/IEC60335:

The vibration emission value is below 2.5 m/s².

For European countries only

EC Declaration of Conformity

Makita declares that the following Machine(s):

Designation of Machine:

Vacuum Cleaner

Model No./ Type: VC1310L, VC2510L, VC3210L

Conforms to the following European Directives:

2006/42/EC

They are manufactured in accordance with the following standard or standardized documents:

EN60335

The technical file in accordance with 2006/42/EC is available from:

Makita, Jan-Baptist Vinkstraat 2, 3070, Belgium

31.7.2014



Yasushi Fukaya
Director

Makita, Jan-Baptist Vinkstraat 2, 3070, Belgium

VACUUM CLEANER SAFETY WARNINGS

⚠WARNING! IMPORTANT READ CAREFULLY all safety warnings and all instructions BEFORE USE.

Failure to follow the warnings and instructions may result in electric shock, fire and/or serious injury.

- 1. Before use, make sure that this cleaner must be used by people who have been adequately instructed on the use of this cleaner.**
- 2. Only use the socket outlet on the cleaner for purposes specified in the instructions.**
- 3. If foam/liquid comes out, switch off immediately.**
- 4. Clean the water level limiting device regularly and examine it for signs of damage.**
- 5. Do not use the cleaner without the filter. Replace a damaged filter immediately.**
- 6. USE OF EXTENSION CORD.** When using an extension cord because of the great distance to your power source, try to employ a cord that is sufficiently thick but not too long, or cleaner performance will be adversely affected. For outdoor applications use an extension cord suitable for outdoor use.
- 7. VOLTAGE WARNING:** Before connecting the cleaner to a power source (receptacle, outlet, etc.) be sure the voltage supplied is the same as that specified on the nameplate of the cleaner. A power source with voltage greater than that specified for the cleaner can result in **SERIOUS INJURY** to the operator as well as damage to the cleaner. If in doubt, **DO NOT PLUG IN THE CLEANER.** Using a power source with voltage less than the nameplate rating is harmful to the motor.
- 8. AVOID UNINTENTIONAL STARTING.** Be sure switch is OFF when plugging in.
- 9. Do not attempt to pick up flammable materials, fire works, lighted cigarettes, hot ashes, hot metal chips, sharp materials such as razors, needles, broken glass or the like.**
- 10. NEVER USE THE CLEANER IN THE VICINITY OF GASOLINE, GAS, PAINT, ADHESIVES OR OTHER HIGHLY EXPLOSIVE SUBSTANCES.** The switch emits sparks when turned ON and OFF. And so does the motor commutator during operation. A dangerous explosion may result.
- 11. Never vacuum up toxic, carcinogenic, combustible or other hazardous materials such as asbestos, arsenic, barium, beryllium, lead, pesticides, or other health endangering materials.**
- 12. Never use the cleaner outdoors in the rain.**
- 13. Do not use close to heat sources (stoves, etc.).**
- 14. GUARD AGAINST ELECTRIC SHOCK.** Prevent body contact with grounded surfaces. For example; pipes, radiators, ranges, refrigerator enclosures.
- 15. Do not block cooling vents.** These vents permit cooling of the motor. Blockage should be carefully avoided otherwise the motor will burn out from lack of ventilation.
- 16. Keep proper footing and balance at all times.**
- 17. DO NOT ABUSE CORD.** Never carry the cleaner by cord or yank it to disconnect from receptacle. Keep cord away from heat, oil, and sharp edges. Inspect cleaner cords periodically and if damaged, have repaired by authorized service facility. Inspect extension cords periodically and replace if damaged.
- 18. Do not fold, tug or step on the hose.**
- 19. Stop the cleaner immediately if you notice poor performance or anything abnormal during operation.**
- 20. DISCONNECT THE CLEANER.** When not in use, before servicing, and when changing accessories.
- 21. Clean and service the cleaner immediately after each use to keep it in tiptop operating condition.**
- 22. MAINTAIN THE CLEANER WITH CARE.** Keep the cleaner clean for better and safer performance. Follow instructions for changing accessories. Keep handles dry, clean, and free from oil and grease.
- 23. CHECK DAMAGED PARTS.** Before further use of the cleaner, a guard or other part that is damaged should be carefully checked to determine that it will operate properly and perform its intended function. Check for alignment of moving parts, binding of moving parts, breakage of parts, mounting, and any other conditions that may affect its operation. A guard or other part that is damaged should be properly repaired or replaced by an authorized service center unless otherwise indicated elsewhere in this instruction manual. Have defective switches replaced by authorized service center. Don't use the cleaner if switch does not turn it on and off.

24. **REPLACEMENT PARTS.** When servicing, use only identical replacement parts.
25. **STORE IDLE CLEANER.** When not in use, the cleaner should be stored indoors.
26. **Be kind to your cleaner.** Rough handling can cause breakage of even the most sturdily built cleaner.
27. **Do not attempt to clean the exterior or interior with benzine, thinner or cleaning chemicals.** Cracks and discoloration may be caused.
28. **Do not use cleaner in an enclosed space where flammable, explosive or toxic vapors are given off by oil-base paint, paint-thinner, gasoline, some mothproofing substances, etc., or in areas where flammable dust is present.**
29. **Do not leave the cleaner cord lying on the floor after you have finished a cleaning job.** It can become a tripping hazard or may cause damage to the cleaner.
30. **Do not operate this or any tool while under the influence of drugs or alcohol.**
31. **As a basic rule of safety, use safety goggles or safety glasses with side shields.**
32. **Use a dust mask in dusty work conditions.**
33. **This machine is not intended for use by persons including children with reduced physical, sensory or mental capabilities, or lack of experience and knowledge.**
34. **Young children should be supervised to ensure that they do not play with the cleaner.**
35. **Never handle plug cord or cleaner with wet hands.**
36. **Use extreme caution when cleaning on stairs.**
37. **Do not use the cleaner as a stool or work bench.** The machine may fall down and may result in personal injury.

KEEP FOR FUTURE REFERENCE

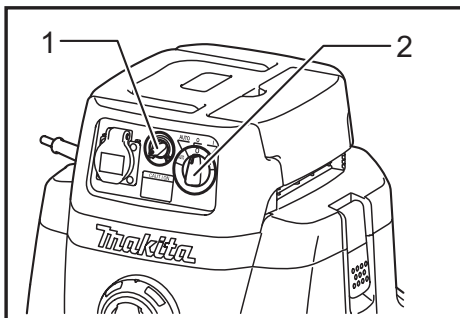
⚠WARNING: DO NOT let comfort or familiarity with product (gained from repeated use) replace strict adherence to safety rules for the subject product. **MISUSE** or failure to follow the safety rules stated in this instruction manual may cause serious personal injury.

FUNCTIONAL DESCRIPTION

⚠WARNING:

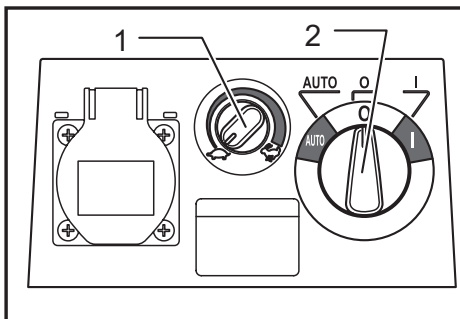
- Before plugging the cleaner, always make sure that the cleaner is switched off. Plugging the cleaner with the switch on may cause an unexpected start resulting in serious personal injury.

Switch action





- 1. Suction force adjusting knob 2. Switch lever

To start the cleaner, rotate the switch lever to the "I" side. To stop it, rotate the switch lever to the "O" side.



- 1. Suction force adjusting knob 2. Switch lever

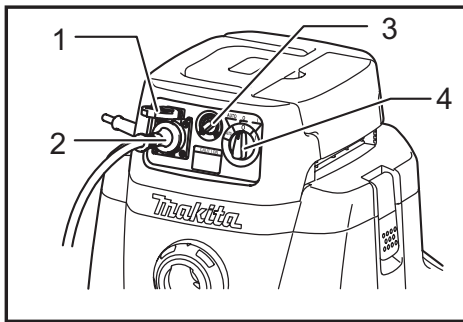
The suction power can be adjusted according to your work need.

Suction power can be increased by turning the suction force adjusting knob from the  symbol to the  symbol.

Connecting electric power tools

⚠WARNING:

- Observe the maximum connected loads for the appliance socket (Refer to the SPECIFICATIONS.)
- Make sure that both the cleaner and the electric power tool are switched off before connecting or disconnecting. Connecting the power tool to the cleaner with both of them being switched on may cause unexpected and sudden start resulting serious personal injury.



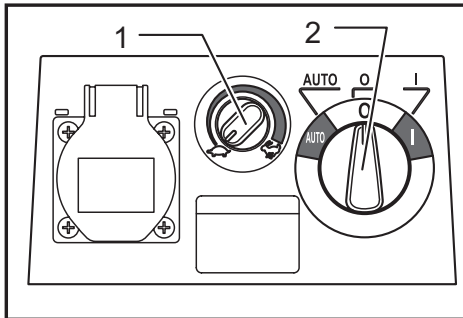
► 1. Cap 2. Power supply cord 3. Suction force adjusting knob 4. Switch lever

When connecting a grounded tool, insert a plug with a grounding plate to the socket of the cleaner.

CAUTION:

- Never connect an electric power tool with an input power exceeding that specified in the "SPECIFICATIONS" to the socket of the cleaner by turning the suction force adjusting knob. Connecting the electric power tool exceeding the specified input power may cause overheating and damage to the cleaner. Refer to the specifications to avoid this.

The cleaner can be connected to an electric power tool up to input power shown in the "SPECIFICATIONS". To connect an electric power tool, open the cap and insert the power tool plug into the socket of the cleaner.



► 1. Suction force adjusting knob 2. Switch lever

Rotate the switch lever to the "AUTO" position. Move the suction force adjusting knob to the position suitable for the input power of the electric power tool you intend to use. Refer to the SPECIFICATIONS for the relation between suction force adjusting knob and the electric power tool input power.

Switching on and off of the connected electric power tool simultaneously brings the cleaner switching on and off action. The cleaner still works for a few seconds even after the electric power tool is switched off.

After use, disconnect the power tool from the socket of cleaner.

Switch off the cleaner after use.

Auto-suction stop during suction operation

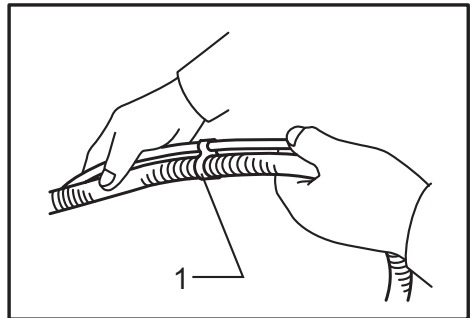
WARNING:

- **Do not use for a long time while the float is at work.** Using the cleaner with its float at work for a long time can cause overheating, resulting in the cleaner deformation.
- **Do not pick up foam or soapy liquid.** Picking up foam or soapy liquid can cause foam to come out of air exit before the float works. Continuing to use in this condition may cause an electric shock and breakage of the cleaner.

The cleaner has a float mechanism that prevents water from immersing into the motor when picking up more than a certain amount of water.

When the tank is full and the cleaner no longer picks up water, switch off the cleaner and empty the tank.

Installing the holder



► 1. Holder

When connecting an electric power tool, secure the power supply cord and hose using the holders at a 70 cm - 80 cm distance among the holders that are provided with the cleaner so that the hose is not entangled by the power supply cord.

Usage of base hook

CAUTION:

- **Be careful not to pinch your fingers when closing the base hook.** Failure to do so may cause personal injury.

NOTE:

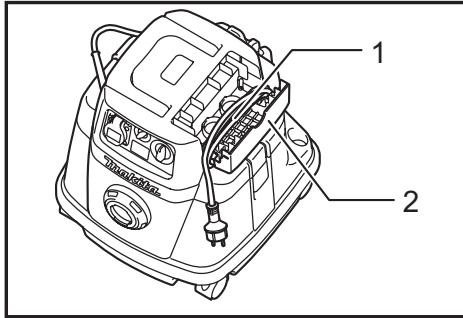
- Do not apply an excessive force on the base hook. The excessive force on the base hook may damage the base hook. Close the base hook when not in use.

Opening the base hook allows the following usage.

1. Storing the power supply cord

NOTE:

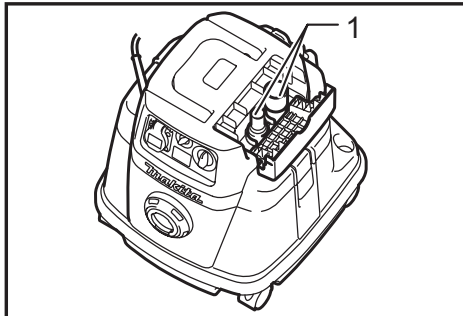
- Do not use the cleaner or a connected electric power tool with a power supply cord wound on the base hook. Using the cleaner or the connected electric power tool with power supply cord may cause damage the power supply cord.



► 1. Power supply cord 2. Base hook

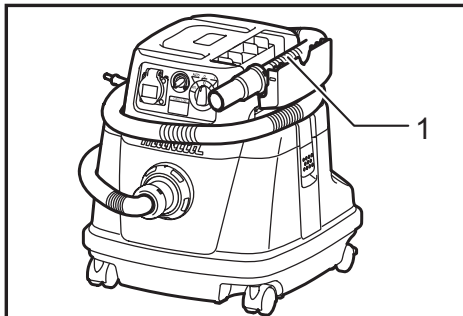
2. Storing the front cuffs

Front cuffs 22, 24 and 38 can be stored (up to two at a time.)



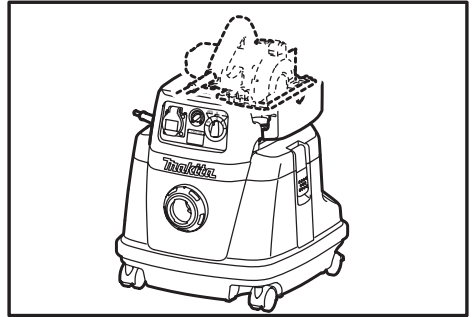
► 1. Front cuffs

3. Storing the hose



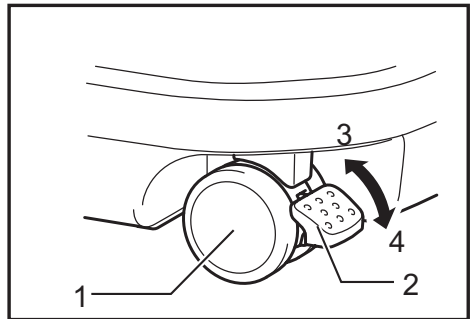
► 1. Hose

4. Resting a reasonable size of electric power tool for the base hook, such as circular saw.



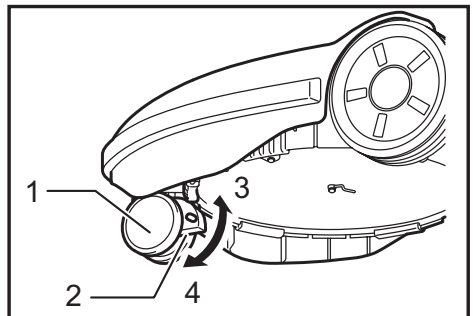
Locking or unlocking the caster

For Models VC1310L and VC2510L



► 1. Caster 2. Stopper lever 3. FREE position
4. LOCK position

For Model VC3210L



► 1. Caster 2. Stopper lever 3. FREE position
4. LOCK position

To lock the caster with a stopper, lower the stopper lever and the caster no longer will rotate. To release the caster from the locked position, raise the stopper lever. Locking the caster is convenient when storing the cleaner, stopping the work on the way and keeping the cleaner still.

To operate the stopper, move it by hand.

NOTE:

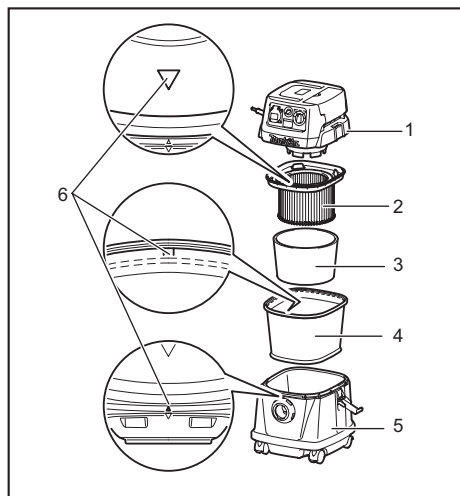
- When moving the cleaner, make sure that the caster is unlocked. Moving the cleaner with the caster in the locked position may cause damage to the caster.

ASSEMBLY

CAUTION:

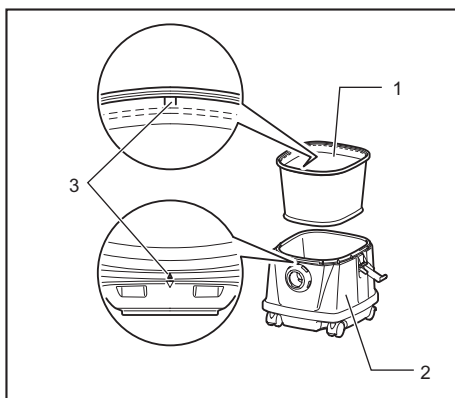
- Always be sure that the cleaner is switched off and unplugged before carrying out any work on the cleaner.

Installing the water filter



- 1. Tank cover 2. Powder filter 3. Damper 4. Prefilter 5. Tank 6. Mounting position marking

To pick up water or wet dust, remove prefilter and damper and then use water filter.



- 1. Water filter 2. Tank 3. Mounting position marking

When installing the water filter on the tank, set it tight at the opening of the tank so that the hook of the water filter engages the tank opening firmly and there is no space between the water filter and the tank.

Also, install the water filter so that the mounting position marking can be aligned.

NOTE:

- Models VC2510L and VC3210L have no mounting position marking and no need to align it.

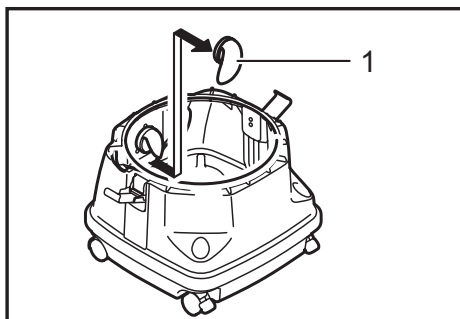
Installing the paper pack

WARNING:

- When using the paper pack, also use the pre-filter together that is preinstalled on the tool. Failure to use the prefilter together may cause unusual noise and heat, resulting in a fire.

CAUTION:

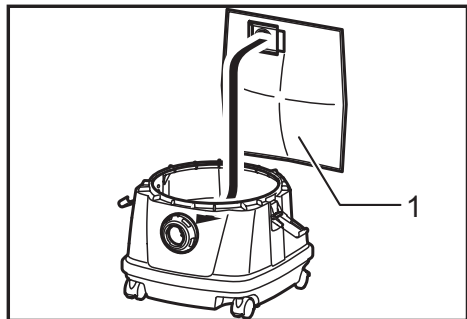
- Never pick up water or other liquids or wet dusts when using the paper pack. Picking up such things may cause the paper pack breakage.



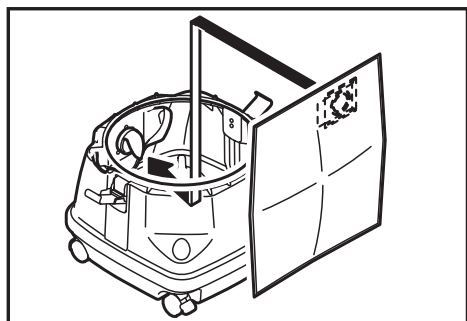
- 1. Rubber holder

1. Remove the rubber holder.

- Extend the paper pack.



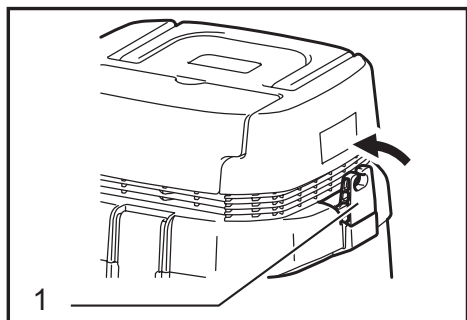
- Paper pack



- Align the paper pack opening with the dust suction opening of the cleaner.
- Insert the cardboard of the paper pack onto the tool so that it is positioned at the end beyond the detent protrusion.

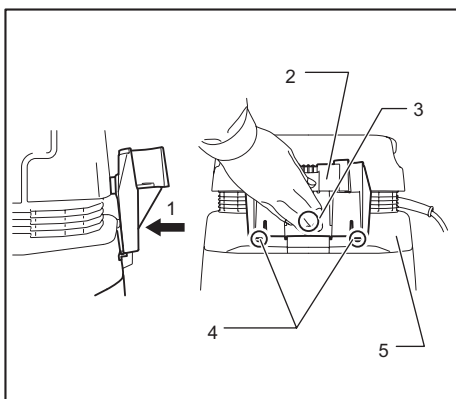
Installing the pipe holder (optional accessory)

For Model VC1310L only



- Cord hook

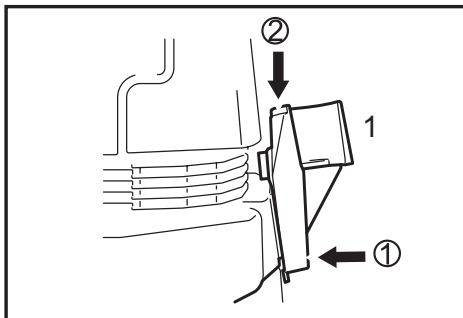
Depress the cord hook as shown in the figure.



- Press 2. Pipe holder 3. A section 4. Hooks 5. Tank cover

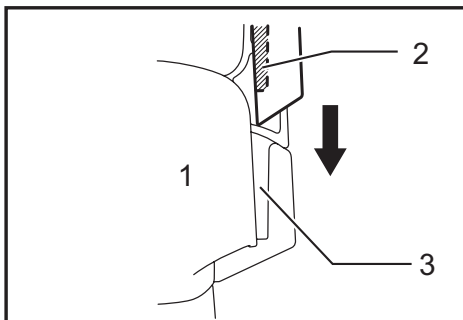
Attach the pipe holder onto the cord hook. (The hooks are away from the tank cover.)

Raise the pipe holder as far as the hooks contact the tank cover and press the A section of the pipe holder.

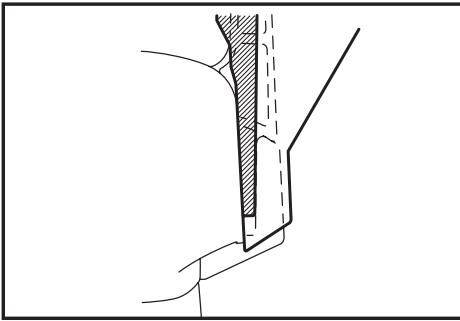


- Press with a force and lower

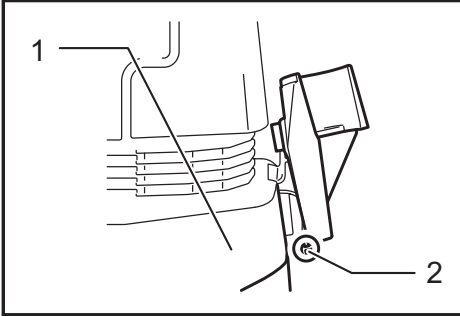
Press the A section with a great force and with the A section so pressed lower the pipe holder.



- Tank cover 2. Protrusion of the pipe holder 3. Groove



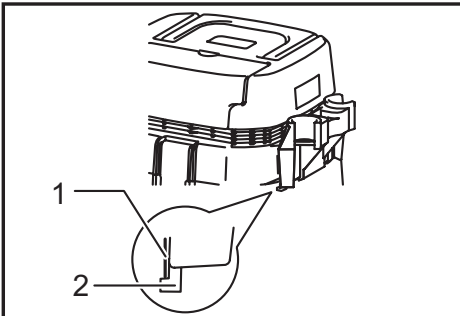
Fit two protrusion of the pipe holder into the grooves of the tank cover and then press down the pipe holder.



► 1. Tank cover 2. Hook

NOTE:

- The pipe holder that is excessively lowered than the intended position cannot be installed on the cord hook with the hook away from the tank cover as shown in the figure.



► 1. Tank cover 2. Hook

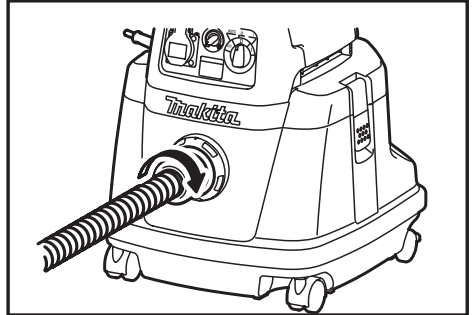
NOTE:

- Make sure that the two hooks of the pipe holder are hooked on the tank cover securely.

Connecting a hose

CAUTION:

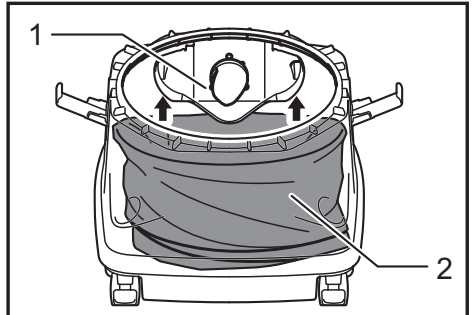
- Never force the hose for bending or stamp it. Never move the cleaner by a hose. Forcing, stamping and pulling the hose may cause a breakage or deformation of the hose.
- When picking up large wastes such as planer carvings, concrete dusts or similars other than small wastes, use the 38 mm inner diameter hose (optional accessory). Using the 28 mm inner diameter hose may cause a hose stuffing and damage.



Insert the hose onto the mounting port of the tank and turn it clockwise until it locks.

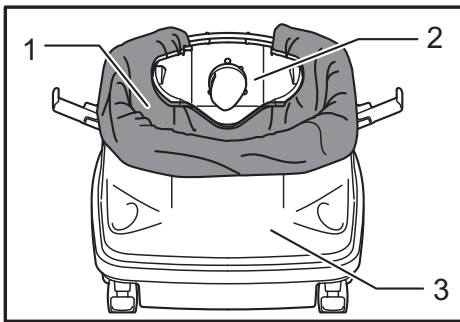
Installing polyethylene bag

Cleaner can also be used without polyethylene bag. However, using polyethylene bag is easier to empty the tank without letting your hands dirty.



► 1. Holder plate 2. Tank

Spread the polyethylene bag in the tank. Insert it between the holder plate and the tank, and pull it to the hose inlet.

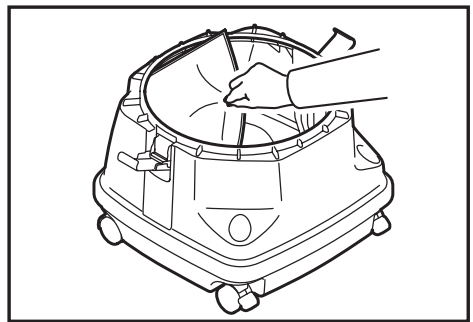


► 1. Polyethylene bag 2. Holder plate 3. Tank

Spread the bag around the top of the tank. Hook up the other side of the bag around the top of the tank so that the prefilter hook can catch and hold it securely.

NOTE:

- A polyethylene bag available on the market can be used. The 0.04 mm or thicker one is recommended.
- Too much dust will tear the bag easily, so do not collect the dust more than the half of the bag capacity.



Shake off the dust from powder filter, damper and prefilter and then take the polyethylene bag out of the tank.

NOTE:

- Take the polyethylene bag carefully out of the tank so that the polyethylene bag cannot be caught and torn by the protrusion inside the tank when emptying it.
- Empty the polyethylene bag before it becomes full. Too much dust in the tank may cause the polyethylene bag to be torn.

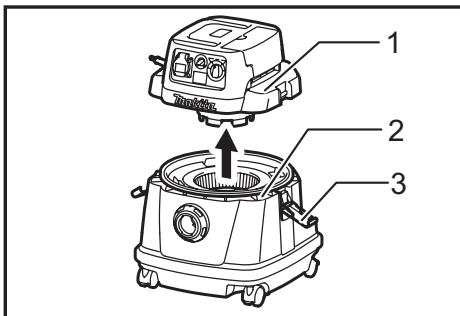
Emptying the polyethylene bag

⚠ WARNING:

- Always make sure that the cleaner is switched off and unplugged before emptying the polyethylene bag. Failure to do so may cause an electric shock and serious personal injury.

⚠ CAUTION:

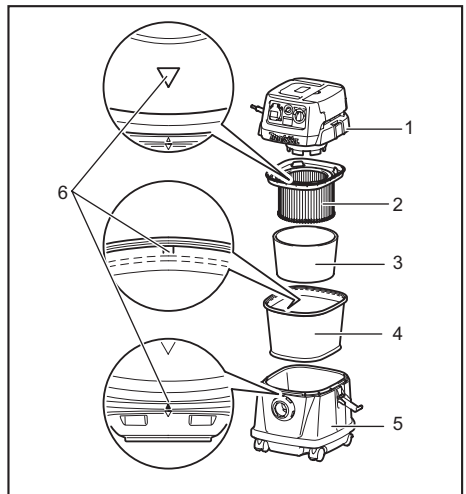
- Do not apply a great impact on the powder filter and tank. Applying a great impact may cause deformation and damage to powder filter and tank.
- Empty the tank at least once a day although this depends on picked-up dust volume in the tank. Or, the suction force will weaken and the motor may be broken.
- Do not grab the hook when emptying the tank. Grabbing the hook may cause the hook to break.



► 1. Tank cover 2. Polyethylene bag 3. Hook

Unhook and lift up the tank cover.

Installing powder filter



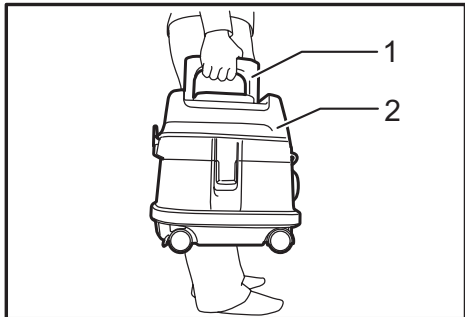
► 1. Tank cover 2. Powder filter 3. Damper 4. Prefilter 5. Tank 6. Mounting position marking

Place the prefilter in the tank. Next, mount the damper on the powder filter and then place it in the prefilter. When installing powder filter and prefilter, the mounting position marking on each of them are aligned with that one at the top of the tank. Finally, mount the tank cover.

NOTE:

- Models VC2510L and VC3210L have no mounting position marking and no need to align it.
- Before using the powder filter, make sure that prefilter and damper are always used together. It is not allowed to install powder filter solely.
- Before using the paper pack, make sure that powder filter, damper and prefilter are always used together.

Carrying the cleaner



► 1. Handle 2. Head

When carrying the cleaner, carry it by holding the handle on the head as shown in the figure. The handle is retractable at the head when not in use.

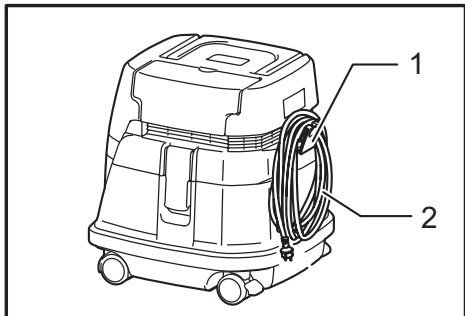
MAINTENANCE

CAUTION:

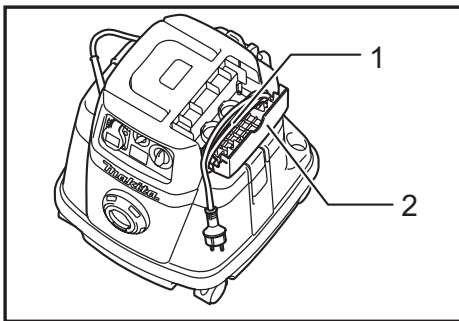
- Always be sure that the tool is switched off and unplugged before attempting to perform inspection or maintenance.

Storage of power supply cord

For Model VC1310L only



► 1. Cord hook 2. Power supply cord



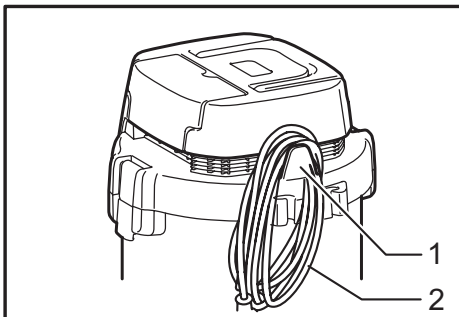
► 1. Power supply cord 2. Base hook

Pull out the cord hook or open the base hook. Wind up the power supply cord and hang it on the cord hook or wind it around the base hook.

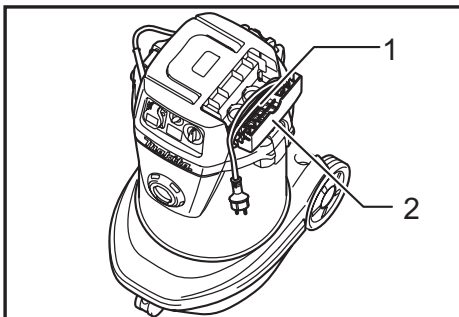
NOTE:

- Do not force the power supply cord off the cord hook when trying to disconnect it from there. Forcing power supply cord to disconnect from the cord hook may cause damage to the cord.

For Models VC2510L and VC3210L



► 1. Cord hook 2. Power supply cord



► 1. Power supply cord 2. Base hook

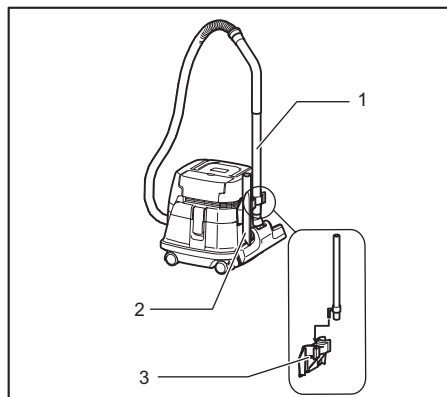
Wind up the power supply cord around the base hook.

Storage of accessories

NOTE:

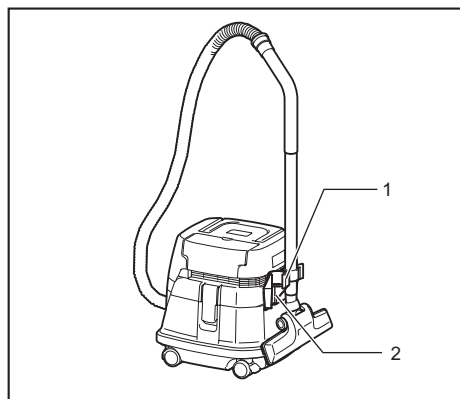
- Do not apply an excessive force to the accessories that are held by the pipe holder. Applying an excessive force to these accessories may cause damage to the pipe holder.

For Model VC1310L only



- 1. Straight pipe 2. Corner nozzle 3. Pipe holder

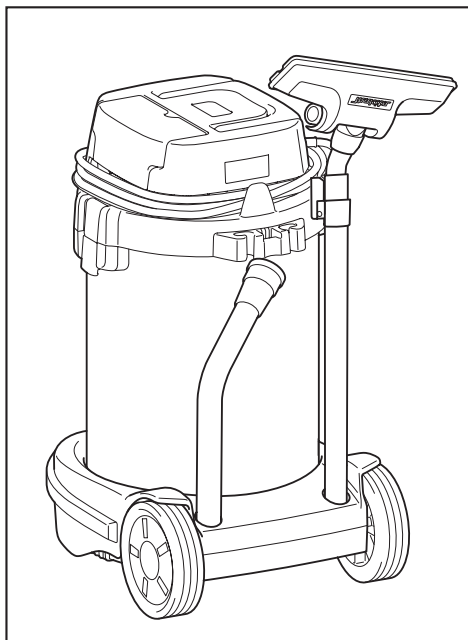
Pipe holder can be used to store straight pipe, bent pipe, corner nozzle and similars by just inserting these accessories.



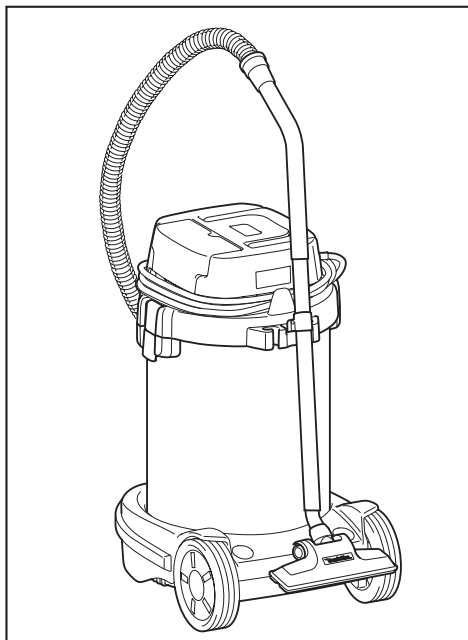
- 1. Stopper 2. Pipe holder

The pipes can be placed into the pipe holder when also stopping using the cleaner on the way for a while.

For Models VC2510L and VC3210L



Pipe rest can be used to store straight pipe, bent pipe and others by just inserting these accessories.

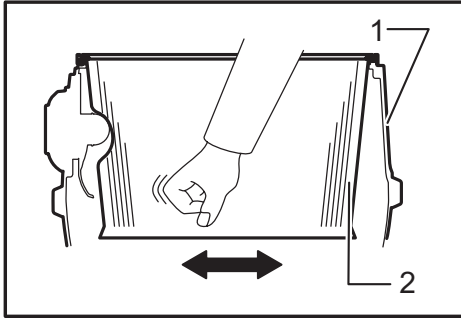


The pipes can be placed into the pipe holder when also stopping using the cleaner on the way for a while.

Cleaning

⚠ CAUTION:

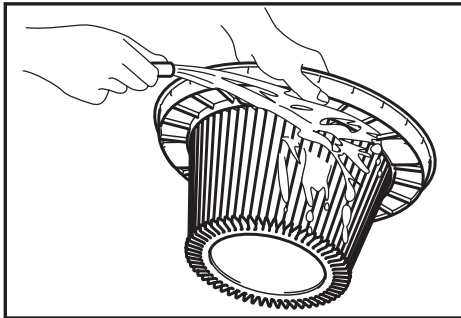
- Never use gasoline, benzine, thinner, alcohol or the like. Discoloration, deformation or cracks may result.



► 1. Tank 2. Prefilter

Clogged powder filter, prefilter and damper cause poor suction performance.

Clean out the filters and dampers from time to time. To remove dust or particles adhering to the filters, shake the frame bottom quickly several times.



Occasionally wash the powder filter in water, rinse and dry thoroughly in the shade before use. Never wash filters in a washing machine.

NOTE:

- Do not rub and scratch the powder filter, the prefilter or the damper with hard objects such as a brush and a paddle.
- The filters are consumable and are recommended to have some spares for them.

To maintain product SAFETY and RELIABILITY, repairs, any other maintenance or adjustment should be performed by Makita Authorized Service Centers, always using Makita replacement parts.

OPTIONAL ACCESSORIES

⚠ CAUTION:

- These accessories or attachments are recommended for use with your Makita tool specified in this manual. The use of any other accessories or attachments might present a risk of injury to persons. Only use accessory or attachment for its stated purpose.

If you need any assistance for more details regarding these accessories, ask your local Makita Service Center.

- Hose
- Front cuffs (22, 24, 38)
- Straight pipe
- Corner nozzle
- Round brush
- Powder filter (For dry type)
- Damper
- Prefilter
- Nozzle assembly
- Bent pipe
- Polyethylene bag
- Filter (For water)
- Paper pack
- Holder set
- Pipe holder (for Model VC1310L only)

NOTE:

- Some items in the list may be included in the tool package as standard accessories. They may differ from country to country.

Makita Europe N.V. Jan-Baptist Vinkstraat 2,
3070 Kortenberg, Belgium

Makita Corporation 3-11-8, Sumiyoshi-cho,
Anjo, Aichi 446-8502 Japan

www.makita.com

884995H229 EN 20180925
