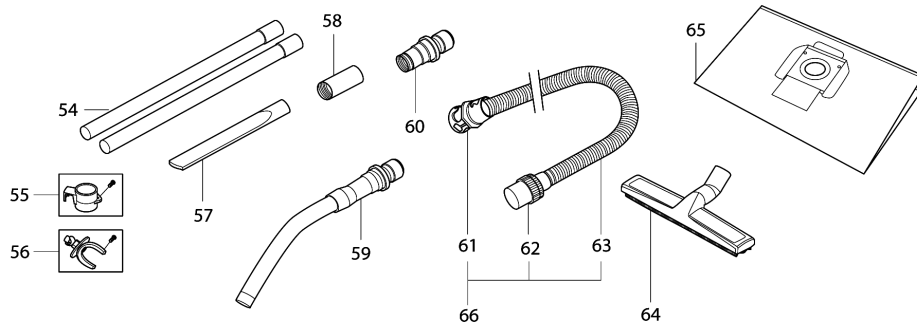
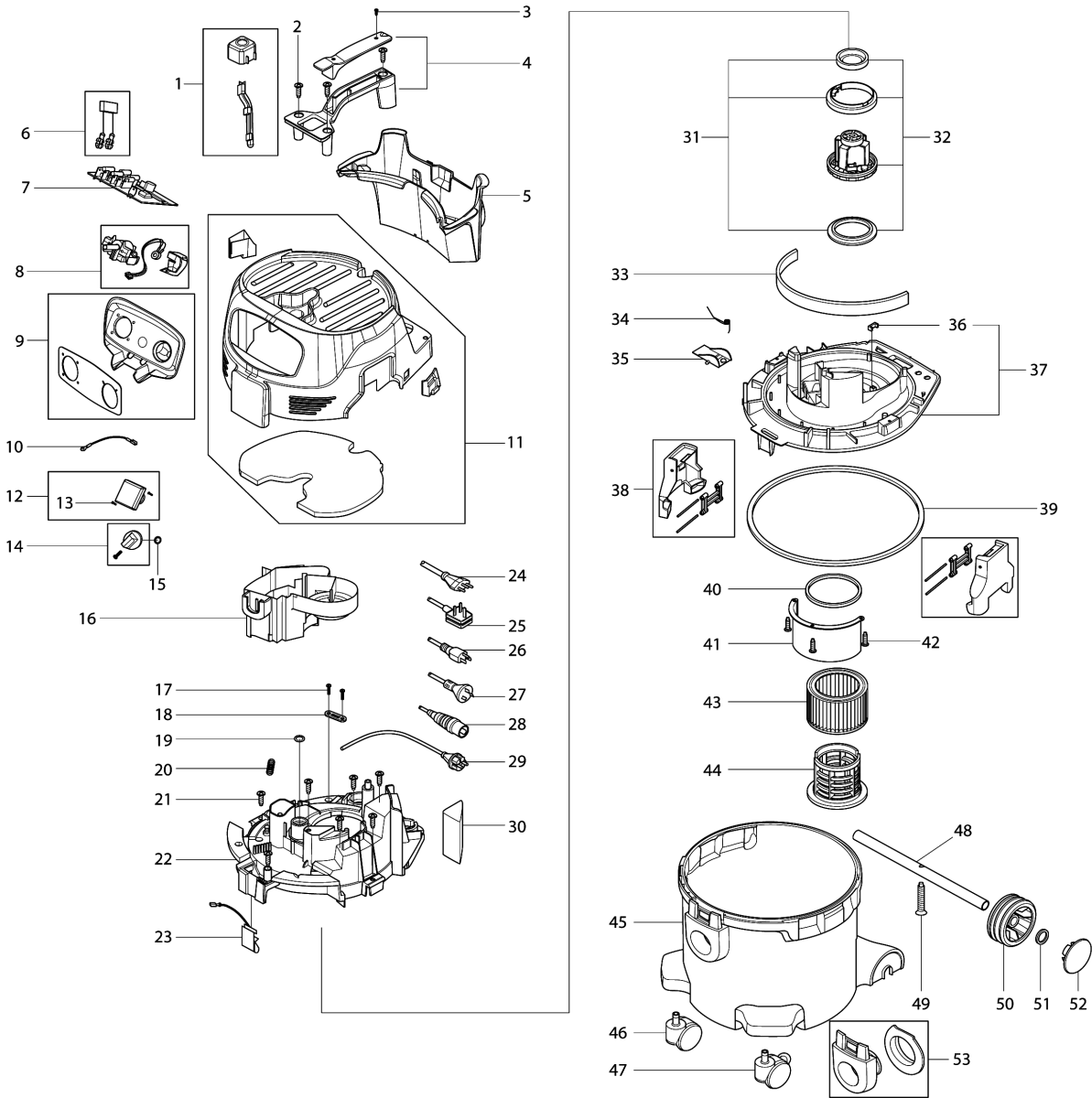


Model No.VC3012L VACUUM CLEANER



Model No.VC3012L VACUUM CLEANER

Item	Parts No.	Description	I/C	Qty	New/Old	Opt. 1	Opt. 2	Note
001	W107417282	DEDUSTING KNOB (BLUE) WITH ROD		1				
002	W302004029	SCREW 5X18 TX20		3				
003	W302004032	SCREW 3,5X18 TX10		2				
004	W302004019	HANDLE (KIT)		1				
005	W302004026	TOOLBOX		1				
006	W107404542	CAPACITOR 0,1		1				
007	W107413467	ELECTRONIC AUTO ON/OFF 220-240		1				
008	W107413449	SWITCH KIT WITH POTENTIOMETER		1				
009	W107417283	SWITCHCASE VC3012L		1				
010	W107400264	WIRE 1SQX150 GR/YE		1				
011	W107417284	COVER MAKITA VC3012L/M (KIT)		1				
012	W302004034	SOCKET *EU* - CEE7/4		1				
D10		INC. 13						
013	W302004032	SCREW 3,5X18 TX10		2				
014	W909100222	SWITCH KNOB MAKITA BLUE		1				
015	W9868	O-RING 10x2.5 NBR70		1				
016	W302004015	AIRFLOW CHANNEL		1				
017	W302004032	SCREW 3,5X18 TX10		2				
018	W302004030	STRAP FOR CORD		1				
019	W302004061	O-RING 25X2 NBR70		1				
020	W302004031	TERMINAL STRIP 6-POL 16A		1				
021	W302004029	SCREW 5X18 TX20		7				
022	W302004009	CLAMPING PLATE MAKITA VC3012		1				
023	W302004023	CONTACT SPRING WITH WIRE		1				
029	W107400573	POWER CORD EU		1				
030	W302004045	SOUND ABSORBER FOR AIR OUTLET		1				
031	W302003385	ELASTIC SUSPENSION (KIT)		1				
032	W302003384	TURBINE 1200W 220-240V (KIT)		1				
033	W302004010	SOUND ABSORBER FOR BASE PLATE		1				
034	W909100083	TORSION SPRING		1				
035	W302000344	FLAP FOR FILTER CLEANING		1				
036	W107401937	PLUG FOR BASE PLATE		1				
037	W302004007	BASE PLATE VC3012		1				
038	W107400301	CONTAINER CLAMP		1	*			
038-1	W107400301	CONTAINER CLAMP	O	2				
039	W107400056	GASKET FOR CONTAINER		1				
040	W302000460	SEALING RING FOR FILTER		1				
041	W302004016	DEFLECTOR PLATE		1				
042	W302004029	SCREW 5X18 TX20		3				

Model No.VC3012L VACUUM CLEANER

Item	Parts No.	Description	I/C	Qty	New/Old	Opt. 1	Opt. 2	Note
043	P-70219	FILTER ELEMENT		1				
044	W107402646	KIT FILTER SUPPORT CAGE +FLOAT		1				
045	W107417285	CONTAINER MAKITA VC3012L/M		1				
046	W46298	CASTOR 60		1				
047	W302000557	CASTOR 60 WITH BRAKE		1				
048	W302004022	WHEEL AXLE		1				
049	W107400063	SCREW 5X35		1				
050	W302000465	WHEEL 100		2				
051	W47302	CLAMPING RING FOR WHEEL		2				
052	W107417286	WHEEL CAP MAKITA BLUE		2				
053	W107402742	FITTING WITH CLAMPING PLATE		1				
054	P-70437	EXTEN. TUBES 36X505(SET 2)		1				
055	W302004027	TUBE HOLDER-HOOK (KIT)		1				
056	W302004018	TUBE HOLDER-SNAP (KIT)		1				
057	W6084	CREVICE NOZZLE 35x300		1				
058	W14682	TOOL NOZZLE 32/TOOL ADAPTER		1	*			
058-1	W107418688	TOOL ADAPTER 38	<	1				
059	P-70346	CURVED HAND TUBE INOX		1				
060	P-70378	TOOL ADAPTER 27 QUICKSYSTEM		1				
061	W46947	HOSE CONNECTOR FOR CLICK SYSTE		1	*			
061-1	W107417866	HOSE CONNECTOR CLICK SYSTEM 32	O	1				
062	W30928	HOSE SLEEVE 32/50 AS		1				
063	W107417287	SUCTION HOSE 32MMx4M BLACK AS		1				
064	P-81789	FLOOR NOZZLE D36X300 WET/DRY		1				
065	P-70219	FILTER ELEMENT		1	*			
065-1	P-70194	FILTERBAG 446L(SET 5) PAPER	X	1	*			
065-2	P-84078	FLEECE FILTER BAG VC3012(5PCS)	O	1				
066	P-84084	SUCTION HOSE 32MM4M BLK AS CPL		1				
D10		INC. 61-63						
A01	W107418678	TOOL ADAPTOR 22 REGULATION		1				

Please order the parts with part number.

Print Date 31/3/2020