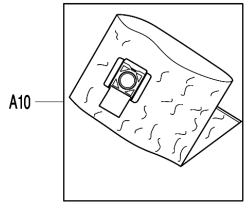
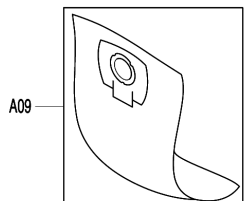
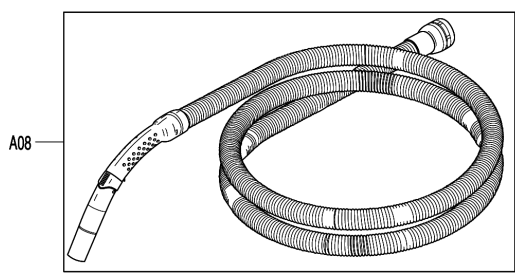
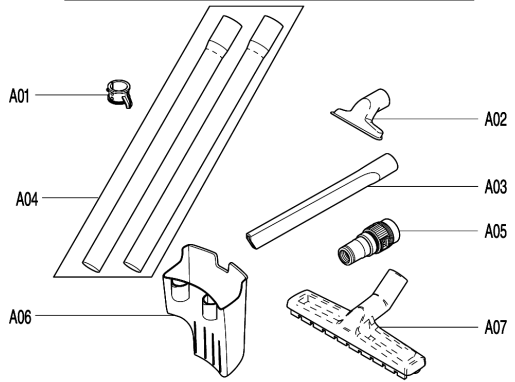
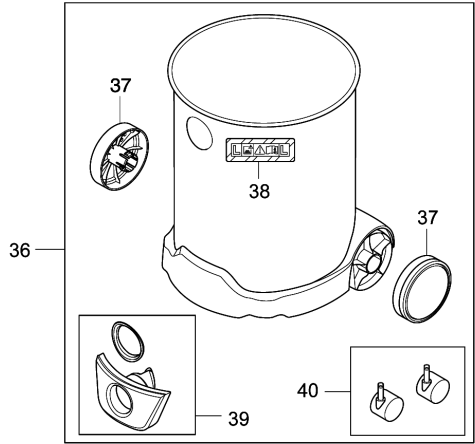
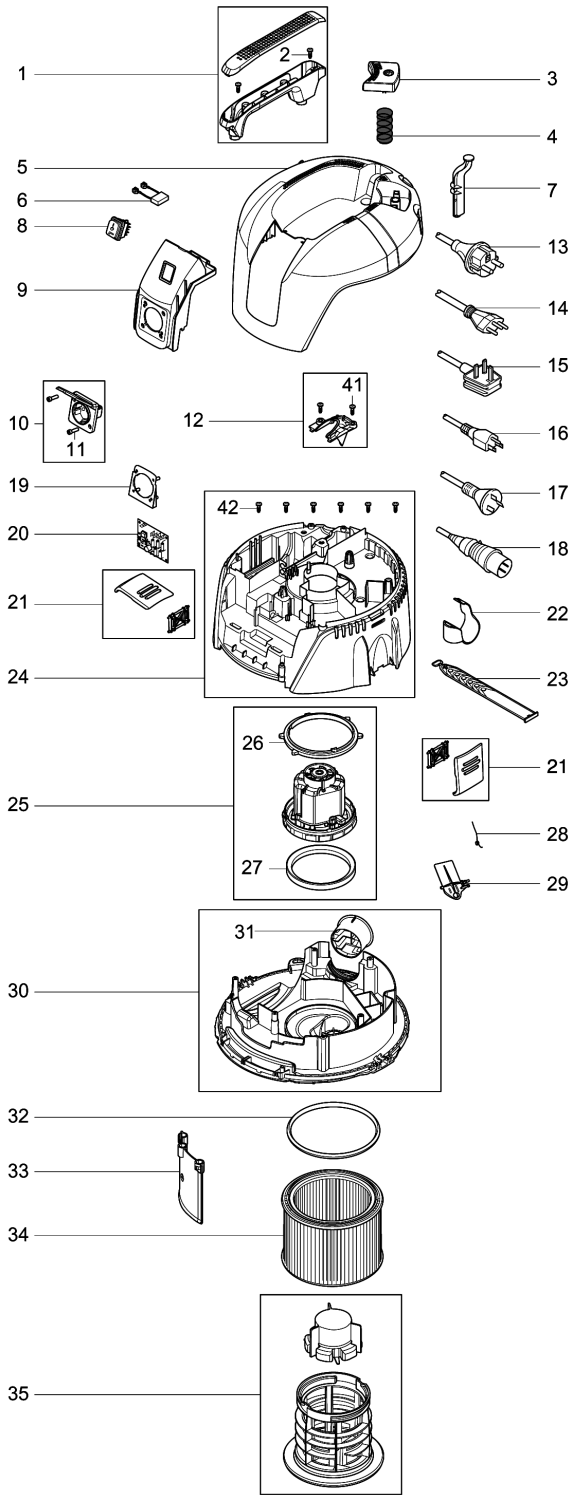


Model No.VC3011L VACUUM CLEANER



Model No.VC3011L VACUUM CLEANER

Item	Parts No.	Description	I/C	Qty	New/Old	Opt. 1	Opt. 2	Note
001	W107409137	HANDLE BLACK		1	*			
D10		INC. 2			*			
001-1	W107411598	HANDLE BLACK	X	1				
D10		INC. 2						
002	W302003704	SCREW 5X18 TX20		2				
003	W107409153	DEDUSTING KNOB BLACK		1				
004	W107411345	SPRING FOR DEDUSTING KNOB		1				
005	W107411996	COVER >MAKITA<		1				
006	W107404542	CAPACITOR 0.1 MICRO FARAD		1				
007	W107409141	KIT DEDUSTING ROD		1	*			
007-1	W107411600	KIT DEDUSTING ROD	X	1				
008	W107409135	SWITCH I-0-TOOL		1				
009	W107411997	INTERFACE >MAKITA<		1				
010	W302004034	SOCKET *EU* - CEE7/4		1				
D10		INC. 11						
011	W302004032	SCREW 3,5X18 TX10		2				
012	W107409125	CABLE OUTLET		1				
D10		INC. 41						
013	W107402641	POWER CORD *EU* - CEE7/7		1				
019	W302002052	PLUG SOCKET FIXING PLATE		1				
020	W107409188	ELEKTRONIC 220-240V		1				
021	W107409130	KIT LOCKING CLAMP		2				
022	W107402799	HOSE CLAMP		1				
023	W107409131	RUBBER STRAP		1				
024	W107409132	CLAMPING PLATE		1				
D10		INC. 42						
025	W107409160	MOTOR 220-240V 1000 W		1				
D10		INC. 26,27						
026	W107409163	UPPER MOTOR SEALING		1				
027	W107409164	LOWER MOTOR SEALING		1				
028	W909100083	TORSION SPRING		1				
029	W107409129	DEDUSTING FLAP		1				
030	W107409166	BASE PLATE WITH AIR OUTLET		1				
D10		INC. 31						
031	W107409167	AIR OUTLET		1				
032	W107409165	SEALING FILTER		1				
033	W107409159	DEFLECTOR SHIELD		1				
034	P-70219	FILTER ELEMENT		1				
035	W302002042	FILTER ELEMENT RETAINER		1	*			
035-1	W107402646	KIT FILTER SUPPORT CAGE +FLOAT	X	1				

Model No.VC3011L VACUUM CLEANER

Item	Parts No.	Description	I/C	Qty	New/Old	Opt. 1	Opt. 2	Note
036	W107412002	CONTAINER 30L INOX >MAKITA<		1				
D10		INC. 37-40						
037	W107409170	WHEEL D130		2				
038	W302004200	LABEL >DUST CLASS L<		1				
039	W107410817	INLET FITTING KIT		1				
040	W140642250	KIT CASTOR WHEELS 50MM		1				
041	W302003704	SCREW 5X18 TX20		2				
042	W302003704	SCREW 5X18 TX20		6				
A01	W107409979	TUBE HOLDER KIT		1				
A02	W142950000	NOZZLE UNIVERSAL		1				
A03	W295410000	CREVICE NOZZLE		1				
A04	P-72942	SUCTION TUBE 35X520MM 2PCS.		1				
A05	W107409977	TOOL ADAPTER WITH REGULATION		1				
A06	W107409980	TOOLBOX		1				
A07	W107402706	FLOOR NOZZLE 36X260MM		1				
A08	W107406115	SUCTION HOSE 32X3500MM		1	*			
A08-1	P-81739	SUCTION HOSE D32X3500 W/TUBE	X	1				
C10	W107413340	HAND TUBE WITH REGULATION		1				
A09	P-72899	FILTER BAG		1				
A10	P-70297	DISPOSAL BAG		1				
A11	W107418661	TOOL ADAPTOR 22 QUICK SET		1				
A12	W107418680	TOOL ADAPTOR 38 VC2012- 3011L		1				

Please order the parts with part number.

Print Date 31/3/2020