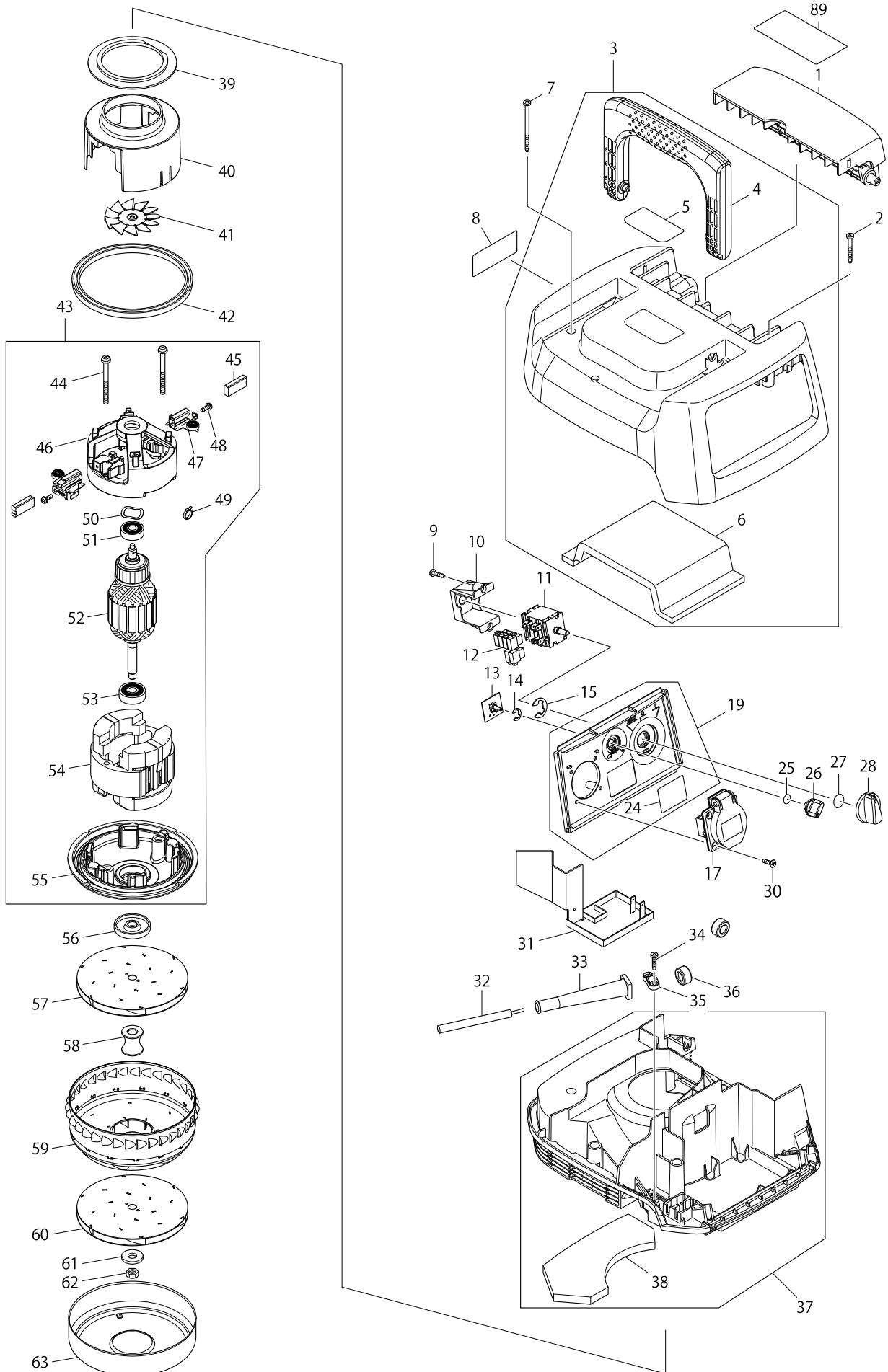
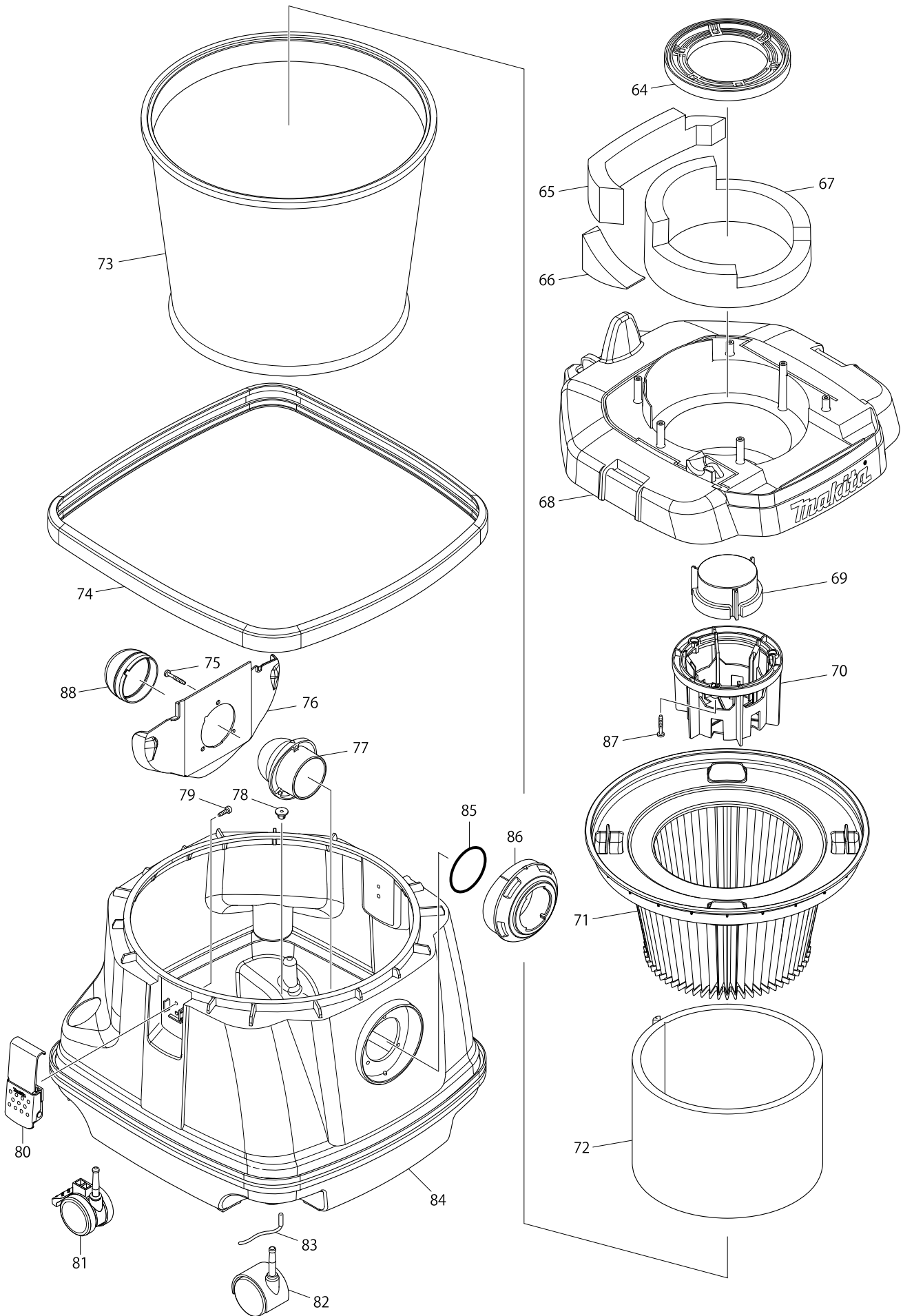


# Model No. VC2510L VACUUM CLEANER



# Model No. VC2510L VACUUM CLEANER



# Model No. VC2510L VACUUM CLEANER

Item	Parts No.	Description	I/C	Qty	N/O	Opt. 1	Opt. 2	Note
001	452451-7	BASE HOOK		1				
002	266053-1	TAPPING SCREW 4X35		3				
003	140751-4	COWLING COMPLETE		1				
D10		INC. 4-6						
004	451340-3	GRIP		1				
005	891977-8	CAUTION LABEL		1				
006	423393-2	TOP DAMPER		1				
007	266060-4	TAPPING SCREW 4X65		3				
008	869050-2	VC2510L NAME PLATE		1				
009	265995-6	TAPPING SCREW 4X18		2				
010	451343-7	SWITCH HOLDER		1				
011	650623-0	SWITCH		1	*			
011-1	650659-9	SWITCH	X	1				
012	686023-8	RECEPTACLE SLEEVE		6	*			
012-1	686023-8	RECEPTACLE SLEEVE	<	8				
013	631922-9	SUB CONTROLLER		1				
014	961013-5	STOP RING E-7		1				
015	961062-2	STOP RING E-12		1				
017	655117-0	OUTLET		1	*			
017-1	655123-5	OUTLET	S	1				
018	685740-7	RUBBER SHEET	S	1				
019	140742-5	SWITCH BASE COMPLETE		1				
D10		INC. 24						
024	891982-5	CAUTION LABEL		1				
025	213054-0	O RING 9		1				
026	451344-5	SWITCH DIAL		1				
027	213176-6	O RING 14		1				
028	451342-9	SWITCH LEVER		1				
030	266630-9	+COUNTERSUNK TAPPING SCREW4X		4				
031	620033-5	CONTROLLER		1				
032	695350-2	POWER SUPPLY CORD 1.5-3-5.0		1				
033	682575-7	CORD GUARD 12-90		1				
034	265999-8	TAPPING SCREW 4X25		2				
035	687149-9	STRAIN RELIEF		1				
036	688131-1	LINE FILTER		2				
037	140254-8	SEPARATOR COMPLETE		1				
D10		INC. 38						
038	423395-8	BOTTOM DAMPER		1				
039	423279-0	SEAL RING 70		1				
040	451338-0	MOTOR COVER		1				
041	241512-6	FAN 62		1				
042	424228-0	RUBBER RING 120		1				
043	125876-5	MOTOR ASSEMBLY		1				
C10	213406-5	O RING 30	S	1				
D10		INC. 44-50,52,54,55						
044	911283-6	PAN HEAD SCREW M5X60		2				
045	195483-8	CARBON BRUSH CB-173		1				
046	452106-4	ENDBELL		1				

# Model No. VC2510L VACUUM CLEANER

Item	Parts No.	Description	I/C	Qty	N/O	Opt. 1	Opt. 2	Note
047	643610-6	BRUSH HOLDER 6.5X13.5		2				
048	911118-1	PAN HEAD SCREW M4X12		2				
049	687010-0	BAND		1				
050	267715-4	WAVE WASHER 20		1				
051	211092-6	BALL BEARING 629DDW		1				
052	517849-6	ARMATURE ASS'Y 240V		1				
D10		INC. 51,53						
053	211087-9	BALL BEARING 6200DDW		1				
054	526204-1	FIELD ASS'Y 240V		1				
C10	654304-8	RECEPTACLE		2				
055	452105-6	BASE		1	*			
055-1	454480-6	BASE	S	1				
056	316795-8	FLANGE		1				
057	241910-4	FAN 125		1				
058	325747-8	SPACER		1				
059	346114-4	RETURN VANE		1				
060	241910-4	FAN 125		1				
061	316799-0	FLAT WASHER 10		1				
062	931403-6	HEX. NUT M8		1				
063	346115-2	FAN COVER		1				
064	424229-8	SUPPORT RING		1				
065	423396-6	REAR BLOCK FILTER		1				
066	423399-0	SIDE BLOCK FILTER		1				
067	423397-4	BAND DAMPER		1				
068	451453-0	TANK COVER		1				
069	141019-1	FLOAT COMPLETE		1				
C10	423365-7	SPONGE SEAL 70		1				
070	452446-0	FLOAT CAGE		1				
071	195441-4	POWDER FILTER SET		1				
072	424377-3	DAMPER		1				
073	A-50544	PRE-FILTER COMPLETE		1	*			
073-1	140280-7	PRE-FILTER COMPLETE	O	1				
074	424250-7	BUMPER		1				
075	266257-5	TAPPING SCREW 4X28		3				
076	417190-6	HOLDER PLATE		1				
077	451455-6	HOLDER		1				
078	421468-1	CORD SEAL		1				
079	266192-7	TAPPING SCREW 4X14		4				
080	168537-4	HOOK		2				
081	168540-5	CASTER 50		2				
082	168425-5	CASTER 50		2				
083	649150-2	EARTH LINE 120		1				
084	451457-2	TANK		1				
085	213655-4	O RING 56		1				
086	451454-8	INLET		1				
087	265999-8	TAPPING SCREW 4X25		3				
088	424382-0	RUBBER HOLDER		1				
089	891978-6	CAUTION LABEL		1				

