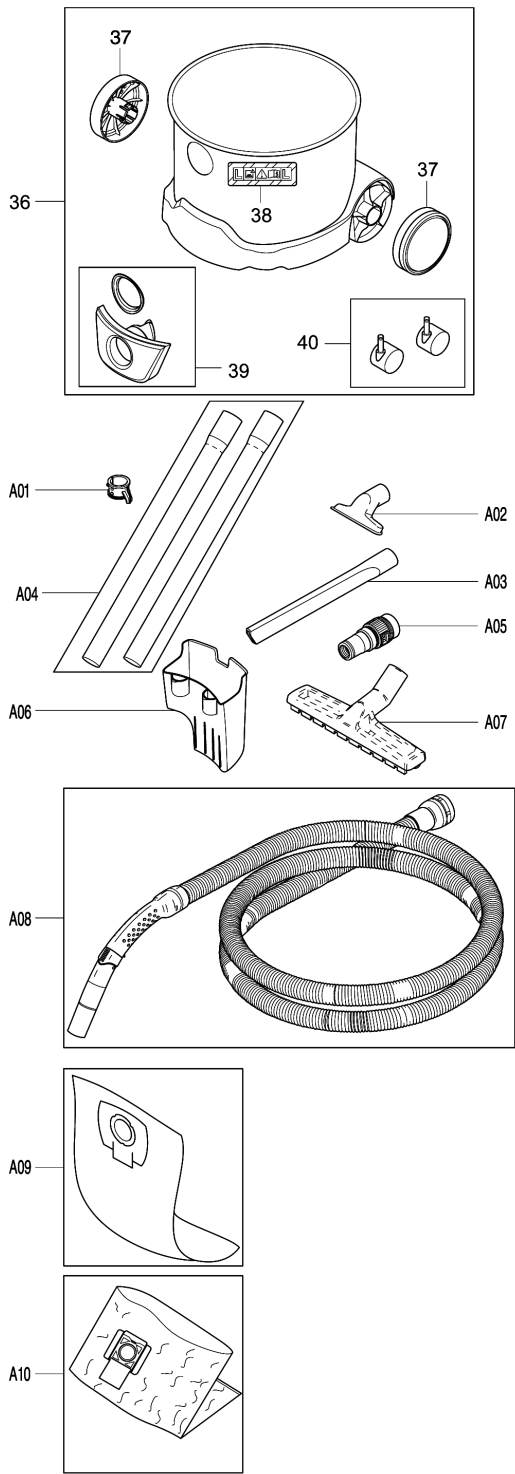
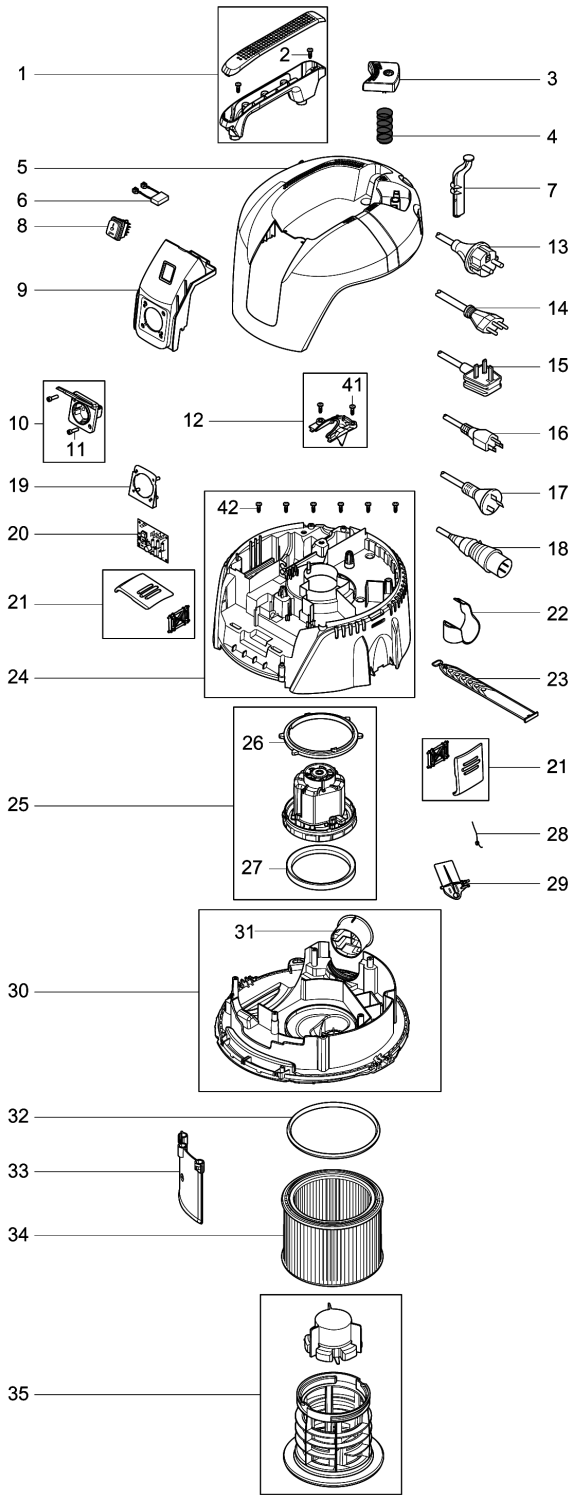


Model No.VC2012L VACUUM CLEANER



Model No.VC2012L VACUUM CLEANER

| Item | Parts No. | Description | I/C | Qty | New/Old | Opt. 1 | Opt. 2 | Note |
|-------|------------|--------------------------------|-----|-----|---------|--------|--------|------|
| 001 | W107409137 | HANDLE BLACK | | 1 | * | | | |
| D10 | | INC. 2 | | | * | | | |
| 001-1 | W107411598 | HANDLE BLACK | X | 1 | | | | |
| D10 | | INC. 2 | | | | | | |
| 002 | W302003704 | SCREW 5X18 TX20 | | 2 | | | | |
| 003 | W107409153 | DEDUSTING KNOB BLACK | | 1 | | | | |
| 004 | W107411345 | SPRING FOR DEDUSTING KNOB | | 1 | | | | |
| 005 | W107411996 | COVER >MAKITA< | | 1 | | | | |
| 006 | W107404542 | CAPACITOR 0.1 MICRO FARAD | | 1 | | | | |
| 007 | W107409141 | KIT DEDUSTING ROD | | 1 | * | | | |
| 007-1 | W107411600 | KIT DEDUSTING ROD | X | 1 | | | | |
| 008 | W107409135 | SWITCH I-0-TOOL | | 1 | | | | |
| 009 | W107411997 | INTERFACE >MAKITA< | | 1 | | | | |
| 010 | W302004034 | SOCKET *EU* - CEE7/4 | | 1 | | | | |
| D10 | | INC. 11 | | | | | | |
| 011 | W302004032 | SCREW 3,5X18 TX10 | | 2 | | | | |
| 012 | W107409125 | CABLE OUTLET | | 1 | | | | |
| D10 | | INC. 41 | | | | | | |
| 013 | W107402641 | POWER CORD *EU* - CEE7/7 | | 1 | | | | |
| 019 | W302002052 | PLUG SOCKET FIXING PLATE | | 1 | | | | |
| 020 | W107409188 | ELEKTRONIC 220-240V | | 1 | | | | |
| 021 | W107409130 | KIT LOCKING CLAMP | | 2 | | | | |
| 022 | W107402799 | HOSE CLAMP | | 1 | | | | |
| 023 | W107409131 | RUBBER STRAP | | 1 | | | | |
| 024 | W107409132 | CLAMPING PLATE | | 1 | | | | |
| D10 | | INC. 42 | | | | | | |
| 025 | W107409160 | MOTOR 220-240V 1000 W | | 1 | | | | |
| D10 | | INC. 26,27 | | | | | | |
| 026 | W107409163 | UPPER MOTOR SEALING | | 1 | | | | |
| 027 | W107409164 | LOWER MOTOR SEALING | | 1 | | | | |
| 028 | W909100083 | TORSION SPRING | | 1 | | | | |
| 029 | W107409129 | DEDUSTING FLAP | | 1 | | | | |
| 030 | W107409166 | BASE PLATE WITH AIR OUTLET | | 1 | | | | |
| D10 | | INC. 31 | | | | | | |
| 031 | W107409167 | AIR OUTLET | | 1 | | | | |
| 032 | W107409165 | SEALING FILTER | | 1 | | | | |
| 033 | W107409159 | DEFLECTOR SHIELD | | 1 | | | | |
| 034 | P-70219 | FILTER ELEMENT | | 1 | | | | |
| 035 | W302002042 | FILTER ELEMENT RETAINER | | 1 | * | | | |
| 035-1 | W107402646 | KIT FILTER SUPPORT CAGE +FLOAT | X | 1 | | | | |

Model No.VC2012L VACUUM CLEANER

| Item | Parts No. | Description | I/C | Qty | New/Old | Opt. 1 | Opt. 2 | Note |
|-------|------------|----------------------------------|-----|-----|---------|--------|--------|------|
| 036 | W107411998 | CONTAINER 20L INOX >MAKITA< | | 1 | | | | |
| D10 | | INC. 37-40 | | | | | | |
| 037 | W107409170 | WHEEL D130 | | 2 | | | | |
| 038 | W302004200 | LABEL >DUST CLASS L< | | 1 | | | | |
| 039 | W107410817 | INLET FITTING KIT | | 1 | | | | |
| 040 | W140642250 | KIT CASTOR WHEELS 50MM | | 1 | | | | |
| 041 | W302003704 | SCREW 5X18 TX20 | | 2 | | | | |
| 042 | W302003704 | SCREW 5X18 TX20 | | 6 | | | | |
| A01 | W107409979 | TUBE HOLDER KIT | | 1 | | | | |
| A02 | W142950000 | NOZZLE UNIVERSAL | | 1 | | | | |
| A03 | W295410000 | CREVICE NOZZLE | | 1 | | | | |
| A04 | P-72942 | SUCTION TUBE 35X520MM 2PCS. | | 1 | | | | |
| A05 | W107409977 | TOOL ADAPTER WITH REGULATION | | 1 | | | | |
| A06 | W107409980 | TOOLBOX | | 1 | | | | |
| A07 | W107402706 | FLOOR NOZZLE 36X260MM | | 1 | | | | |
| A08 | W107406115 | SUCTION HOSE 32X3500MM | | 1 | * | | | |
| A08-1 | P-81739 | SUCTION HOSE D32X3500 W/TUBE | X | 1 | | | | |
| C10 | W107413340 | HAND TUBE WITH REGULATION | | 1 | | | | |
| A09 | P-72899 | FILTER BAG | | 1 | | | | |
| A10 | P-70297 | DISPOSAL BAG | | 1 | | | | |
| A11 | W107418661 | TOOL ADAPTOR 22 QUICK SET | | 1 | | | | |
| A12 | W107418680 | TOOL ADAPTOR 38 VC2012- 3011L | | 1 | | | | |

Please order the parts with part number.

Print Date 31/3/2020