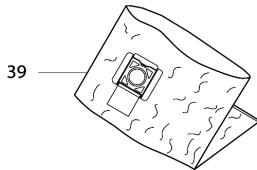
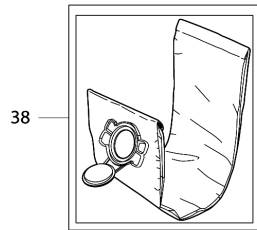
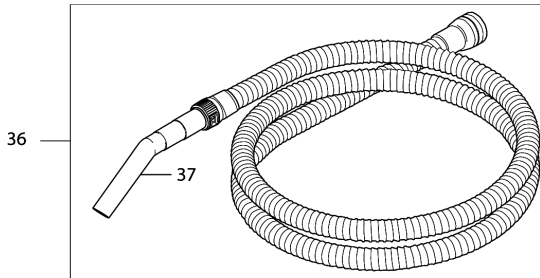
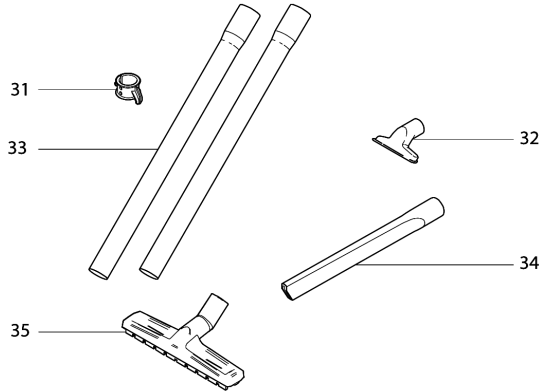
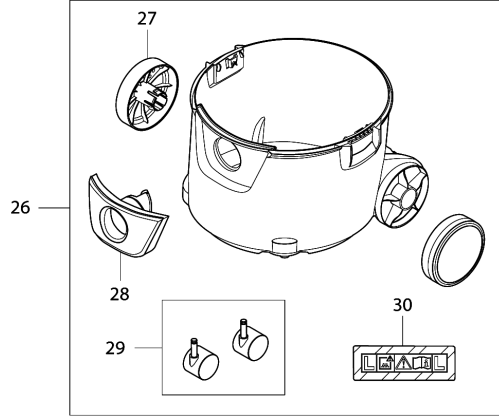
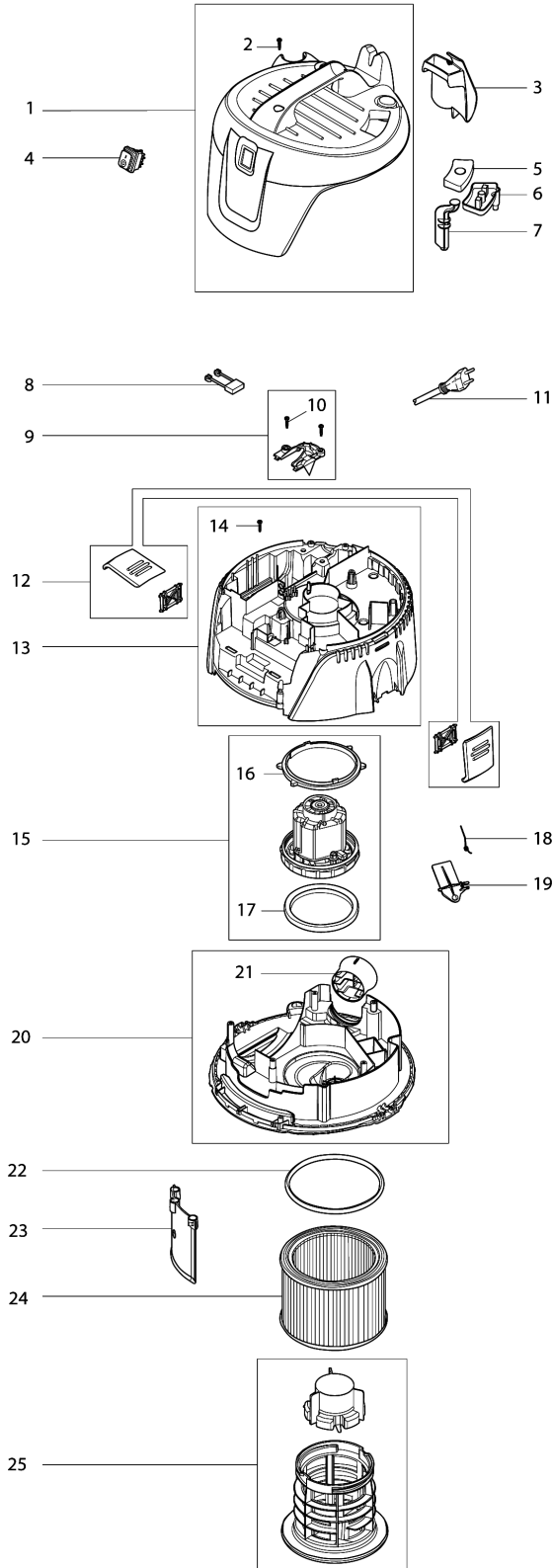


Model No.VC2000L VACUUM CLEANER



Model No.VC2000L VACUUM CLEANER

Item	Parts No.	Description	I/C	Qty	New/Old	Opt. 1	Opt. 2	Note
001	W107419618	COVER		1				
D10		INC. 2						
002	W302003704	SCREW 5X18 TX20		2	*			
002-1	W302004029	SCREW 5X18 TX20	O	2				
003	W107409981	HOSE AND CABLE HOOK		1				
004	W107404540	SWITCH O-I		1				
005	W107409183	DEDUSTING KNOB		1				
006	W107409127	P&C DRAIN HOUSING		1				
007	W107409128	DEDUTING ROD		1				
008	W107404542	CAPACITOR 0.1 MICRO FARAD		1				
009	W107409125	CABLE OUTLET		1				
D10		INC. 10						
010	W302003704	SCREW 5X18 TX20		2	*			
010-1	W302004029	SCREW 5X18 TX20	O	2				
011	W302002394	POWER CORD CEE 7/7		1				
012	W107409130	KIT LOCKING CLAMP		2				
013	W107409132	CLAMPING PLATE		1				
D10		INC. 14						
014	W302003704	SCREW 5X18 TX20		6	*			
014-1	W302004029	SCREW 5X18 TX20	O	6				
015	W107409160	MOTOR 220-240V 1000 W		1				
D10		INC. 16,17						
016	W107409163	UPPER MOTOR SEALING		1				
017	W107409164	LOWER MOTOR SEALING		1				
018	W909100083	TORSION SPRING		1				
019	W107409129	DEDUSTING FLAP		1				
020	W107409166	BASE PLATE WITH AIR OUTLET		1				
D10		INC. 21						
021	W107409167	AIR OUTLET		1				
022	W107409165	SEALING FILTER		1				
023	W107409159	DEFLECTOR SHIELD		1				
024	P-70219	FILTER ELEMENT		1				
025	W107402646	KIT FILTER SUPPORT CAGE +FLOAT		1				
026	W107419619	MAKITA CONTAINER 20L		1				
D10		INC. 27-30						
027	W107409170	WHEEL D130		2				
028	W107409169	INLET FITTING >VC2512L<		1				
029	W140642250	KIT CASTOR WHEELS 50MM		1				
030	W302004200	LABEL >DUST CLASS L<		1				
031	W107409979	TUBE HOLDER KIT		1				
032	W000014295	NOZZLE UNIVERSAL		1				

Please order the parts with part number.

Print Date 5/11/2020

Model No.VC2000L VACUUM CLEANER

Item	Parts No.	Description	I/C	Qty	New/Old	Opt. 1	Opt. 2	Note
033	P-72942	SUCTION TUBE 35X520MM 2PCS.		1				
034	W000029541	CREVICE NOZZLE		1				
035	W107402706	FLOOR NOZZLE 36X260MM		1				
036	P-81739	SUCTION HOSE D32X3500 W/TUBE		1				
D10		INC. 37						
037	W107413340	HAND TUBE WITH REGULATION		1				
038	P-72899	FILTER BAG		1				
039	P-70297	DISPOSAL BAG		1				

Please order the parts with part number.

Print Date 5/11/2020