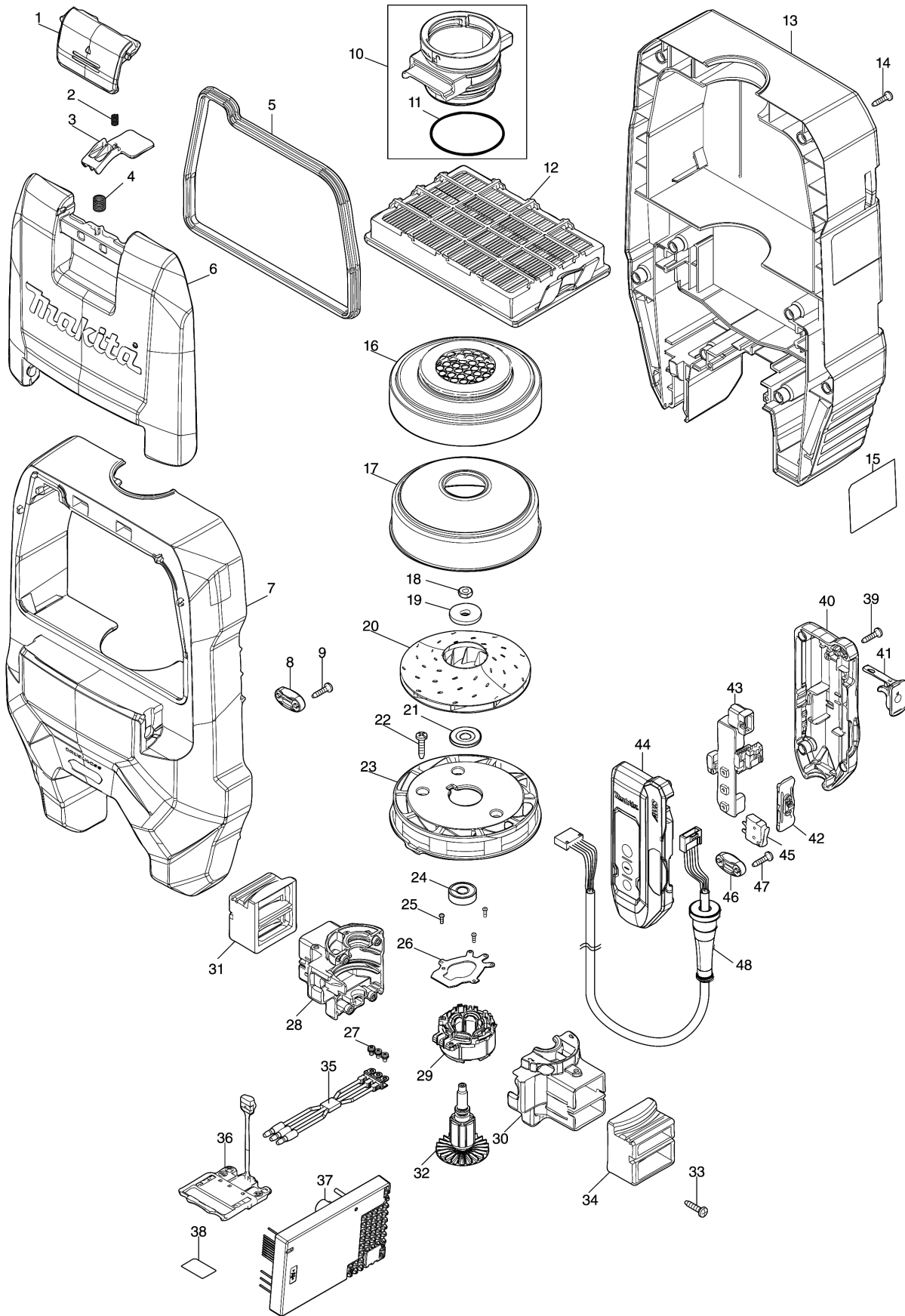
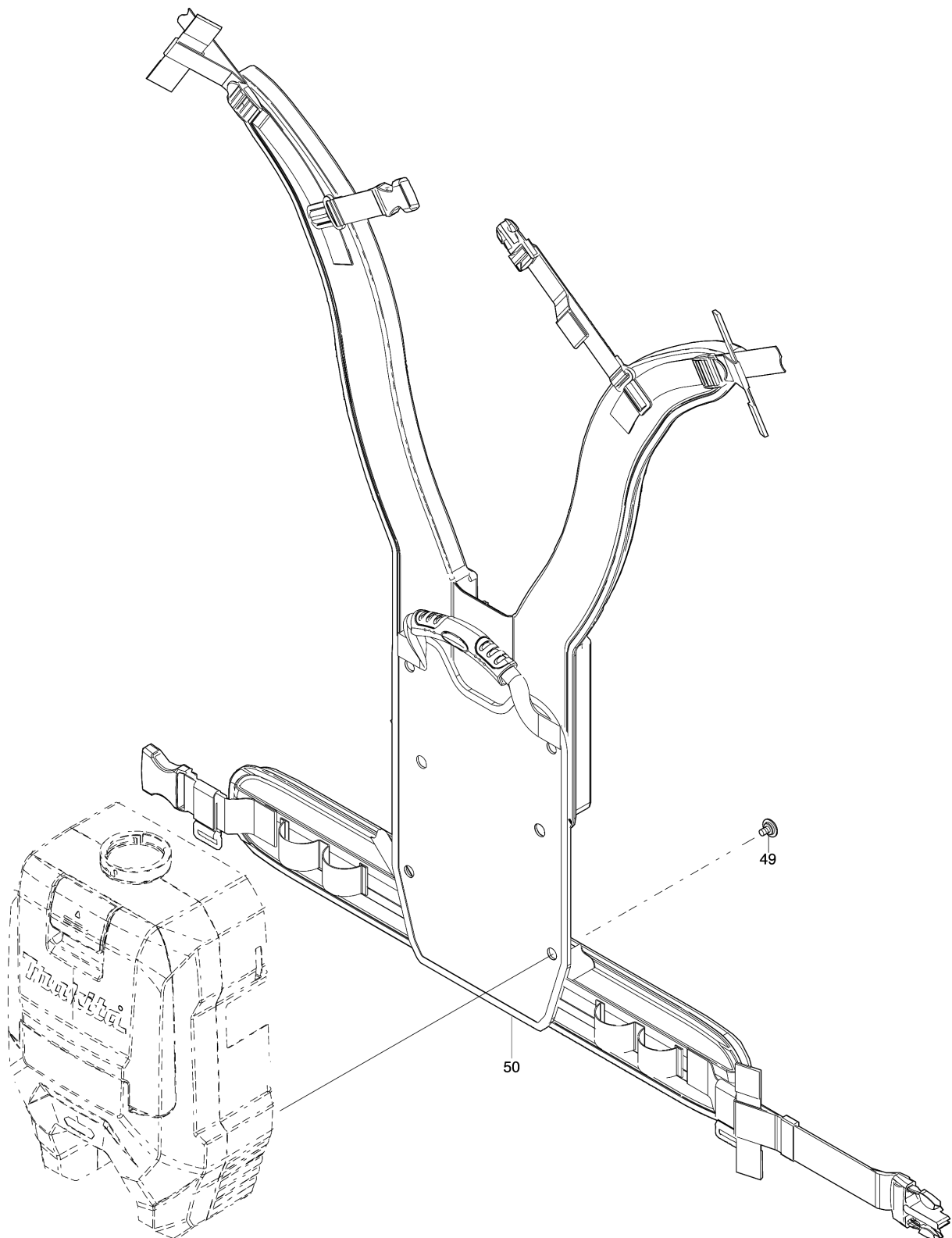


Model No.VC009G DC BACKPACK VACUUM CLEANER



Model No.VC009G DC BACKPACK VACUUM CLEANER



Model No.VC009G DC BACKPACK VACUUM CLEANER

Item	Parts No.	Description	I/C	Qty	New/Old	Opt. 1	Opt. 2	Note
001	413E53-4	HOOK		1				
002	232389-0	COMPRESSION SPRING 5		1				
003	412268-0	STOPPER PLATE		1				
004	234391-9	COMPRESSION SPRING 8		1				
005	422850-7	SEAL		1				
006	413E54-2	DUST BOX COVER		1				
007	136648-3	UPPER HOUSING ASSY		1				
C10	263005-3	RUBBER PIN 6		2				
C20	8025F3-0	XGT LOGO LABEL		1				
008	687124-5	STRAIN RELIEF		1				
009	266326-2	TAPPING SCREW 4X18		2				
010	135771-1	INLET ASS'Y		1				
D10		INC. 11						
011	213655-4	O RING 56		1				
012	191Y27-2	MAIN FILTER H SET		1				
013	141H48-2	LOWER HOUSING COMPLETE		1				
C10	422854-9	REAR BLOCK FILTER A		2				
C20	422855-7	REAR BLOCK FILTER B		1				
014	266326-2	TAPPING SCREW 4X18		8				
015	8116L0-3	VC009G NAME PLATE		1				
016	422851-5	SUPPORT RING		1				
017	347965-8	FAN COVER		1				
018	252268-6	HEX. NUT M6		1				
019	253752-4	FLAT WASHER 8		1				
020	240178-9	FAN 104		1				
021	313062-2	FLANGE		1				
022	266326-2	TAPPING SCREW 4X18		3				
023	413E42-9	FAN BASE		1				
024	210005-4	BALL BEARING 608DDW		1				
025	266490-9	TAPPING SCREW PT 2X6		3				
026	620H32-5	CONTROLLER B		1				
027	652069-6	FLAT HEAD SCREW M3X6		3				
028	183V01-6	MOTOR HOUSING SET		1				
D10		INC. 30						
029	629B16-4	STATOR		1				
030	183V01-6	MOTOR HOUSING SET		1				
D10		INC. 28						
031	422856-5	SUPPORT A		1				
032	619746-3	ROTOR		1				
033	266326-2	TAPPING SCREW 4X18		4				
034	422856-5	SUPPORT A		1				
035	638A29-8	LEAD UNIT		1				

Please order the parts with part number.

Print Date 3/12/2021

Model No.VC009G DC BACKPACK VACUUM CLEANER

Item	Parts No.	Description	I/C	Qty	New/Old	Opt. 1	Opt. 2	Note
036	632P49-4	TERMINAL UNIT		1				
037	620H31-7	CONTROLLER		1				
038	8116L8-7	VC009G SERIAL NO. LABEL		1				
039	266130-9	TAPPING SCREW BIND PT 3X16		4				
040	183V69-2	SWITCH CASE SET		1				
C10	8045G2-5	SWITCH LABEL		1				
C20	818F56-3	SWITCH LABELB		1				
D10		INC. 44						
041	140G18-2	CAP COMPLETE		1				
C10	213A05-9	O-RING16		1				
042	458714-9	SWITCH LEVER		1				
043	620H34-1	SWITCH CIRCUIT		1				
044	183V69-2	SWITCH CASE SET		1				
C10	8045G2-5	SWITCH LABEL		1				
C20	818F56-3	SWITCH LABELB		1				
D10		INC. 40						
045	632E26-0	SWITCH UNIT		1				
046	687124-5	STRAIN RELIEF		1				
047	266326-2	TAPPING SCREW 4X18		2				
048	699194-2	POWER SUPPLY CORD UNIT		1				
049	265008-3	+ FLAT HEAD SCREW M5		4				
050	162B37-8	HARNESS		1				
A01	A-34235	HOSE COMP 28-1.5		1				
C10	417766-9	FRONT CUFF 38		1				
C20	417191-4	CUFF LOCK		1				
C30	417586-1	STOPPER		1				
C40	417662-1	SLEEVE		1				
A02	166116-2	HOSE BAND		1				
A03	197903-8	FILTER BAG SET 2L(10PCS)EU		1				
A04	417765-1	FRONT CUFF 22		1				
A05	424379-9	FRONT CUFF 24		1				
A06	198900-7	WIRELESS UNIT SET		1				

Please order the parts with part number.

Print Date 3/12/2021