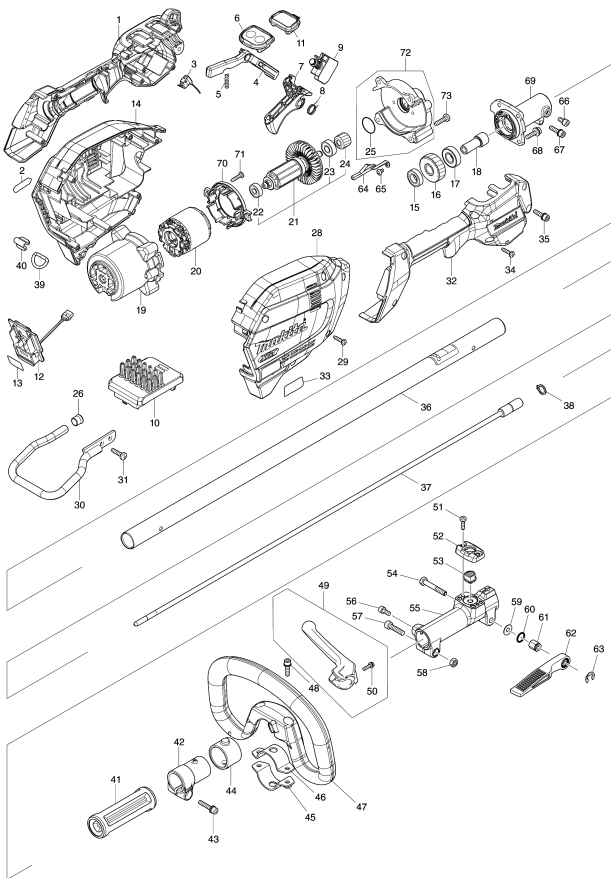


Model No.UX01G CRDLSS MULTI FNCTN POWER HEAD



Model No.UX01G CRDLSS MULTI FNCTN POWER HEAD

Item	Parts No.	Description	I/C	Qty	New/Old	Opt. 1	Opt. 2	Note
001	183N26-2	GRIP SET		1				
	D10	INC. 32						
002	8025F3-0	XGT LOGO LABEL		1				
003	632G61-0	SWITCH UNIT		1				
004	459759-0	LOCK OFF LEVER		1				
005	233101-1	COMPRESSION SPRING 4		1				
006	140W64-1	SWITCH CIRCUIT COMPLETE G		1				
	C10	8025F0-6	SWITCH LABEL	1				
007	459758-2	SWITCH LEVER		1				
008	233622-3	TORSION SPRING 12		1				
009	651436-2	SWITCH C3JW-1A-P-2		1				
010	620D96-5	CONTROLLER		1				
011	140W63-3	INDICATION CIRCUIT COMPLETE		1				
012	632P49-4	TERMINAL UNIT		1				
013	8026A4-9	UX01G SERIAL NO. LABEL		1				
014	183R88-4	HOUSING SET		1				
	C10	263005-3	RUBBER PIN 6	2				
	D10	INC. 28						
015	211150-8	BALL BEARING 6901ZZ		1				
016	227848-7	HELICAL GEAR 33		1				
017	211131-2	BALL BEARING 6001DDW		1				
018	325811-5	SPINDLE HUB		1				
019	412961-6	MOTOR HOUSING		1				
020	629A25-7	STATOR		1				
021	519647-4	ROTOR ASSY		1				
	D10	INC. 22-24						
022	210062-2	BALL BEARING 607ZZ		1				
023	210005-4	BALL BEARING 608DDW		1				
024	227834-8	HELICAL GEAR 16		1				
025	213961-7	O RING 22		1				
026	422230-7	CAP		1				
028	183R88-4	HOUSING SET		1				
	C10	263005-3	RUBBER PIN 6	2				
	D10	INC. 14						
029	266326-2	TAPPING SCREW 4X18		6				
030	347752-5	BATTERY GUARD		1				
031	266420-0	TAPPING SCREW 5X20		2				
032	183N26-2	GRIP SET		1				
	D10	INC. 1						
033	8025Y8-3	UX01G NAME PLATE		1				
034	266326-2	TAPPING SCREW 4X18		6				

Please order the parts with part number.

Print Date 16/11/2020

Model No.UX01G CRDLSS MULTI FNCTN POWER HEAD

Item	Parts No.	Description	I/C	Qty	New/Old	Opt. 1	Opt. 2	Note
035	922233-6	H.S.H.BOLT M5X20 WITH WR		1				
036	140W68-3	SHAFT PIPE B COMPLETE		1				
	C10	8025E8-3	CAUTION LABEL	1				
037	141238-9	SHAFT B COMPLETE		1				
038	961052-5	RETAINING RING S-12		1				
039	327742-4	D RING 20		1				
040	347783-4	RING SUPPORT		1				
041	451601-1	SPACER 24		1				
042	457269-1	PIPE HOLDER 24		1				
043	922244-1	H.S.H.BOLT M5X25 WITH WG		1				
044	424942-8	DAMPER		1				
045	347114-7	LOWER CLAMP 35		1				
046	347113-9	UPPER CLAMP 35		1				
047	457772-2	LOOP HANDLE		1				
	C10	263005-3	RUBBER PIN 6	1				
048	922234-4	H.S.H.BOLT M5X20 WITH WG		2				
049	144315-6	BARRIER COMPLETE		1				
	D10	INC. 50						
050	911128-8	P.H.SCREW M4X16 WITH WR		1				
051	266034-5	TAPPING SCREW CT 4X16		2				
052	452840-6	RELEASE BUTTON COVER		1				
053	452839-1	RELEASE BUTTON		1				
054	265596-0	HEX.BOLT M6X40		1				
055	318750-6	JOINT 24		1				
056	922211-6	H.S.H.BOLT M5X12 WITH W		1				
057	922342-1	HEX. SOCKET HEAD BOLT M6X25		1				
058	931302-2	HEX. NUT M6		1				
059	253332-6	THIN WASHER 6		1				
060	213105-9	O RING 11		1				
061	252159-1	HEX. NUT M6		1				
062	272268-0	LEVER 94		1				
063	961014-3	STOP RING E-8		1				
064	347751-7	PLATE		1				
065	911102-6	PAN HEAD SCREW M4X6		1				
066	922211-6	H.S.H.BOLT M5X12 WITH W		1				
067	922233-6	H.S.H.BOLT M5X20 WITH WR		1				
068	911233-1	PAN HEAD SCREW M5X20		4				
069	140Y38-4	PIPE BRACKET COMPLETE		1				
	C10	263002-9	RUBBER PIN 4	1				
070	459764-7	BAFFLE PLATE		1				
071	266326-2	TAPPING SCREW 4X18		2				
072	136368-9	GEAR BOX ASSY		1				

Please order the parts with part number.

Print Date 16/11/2020