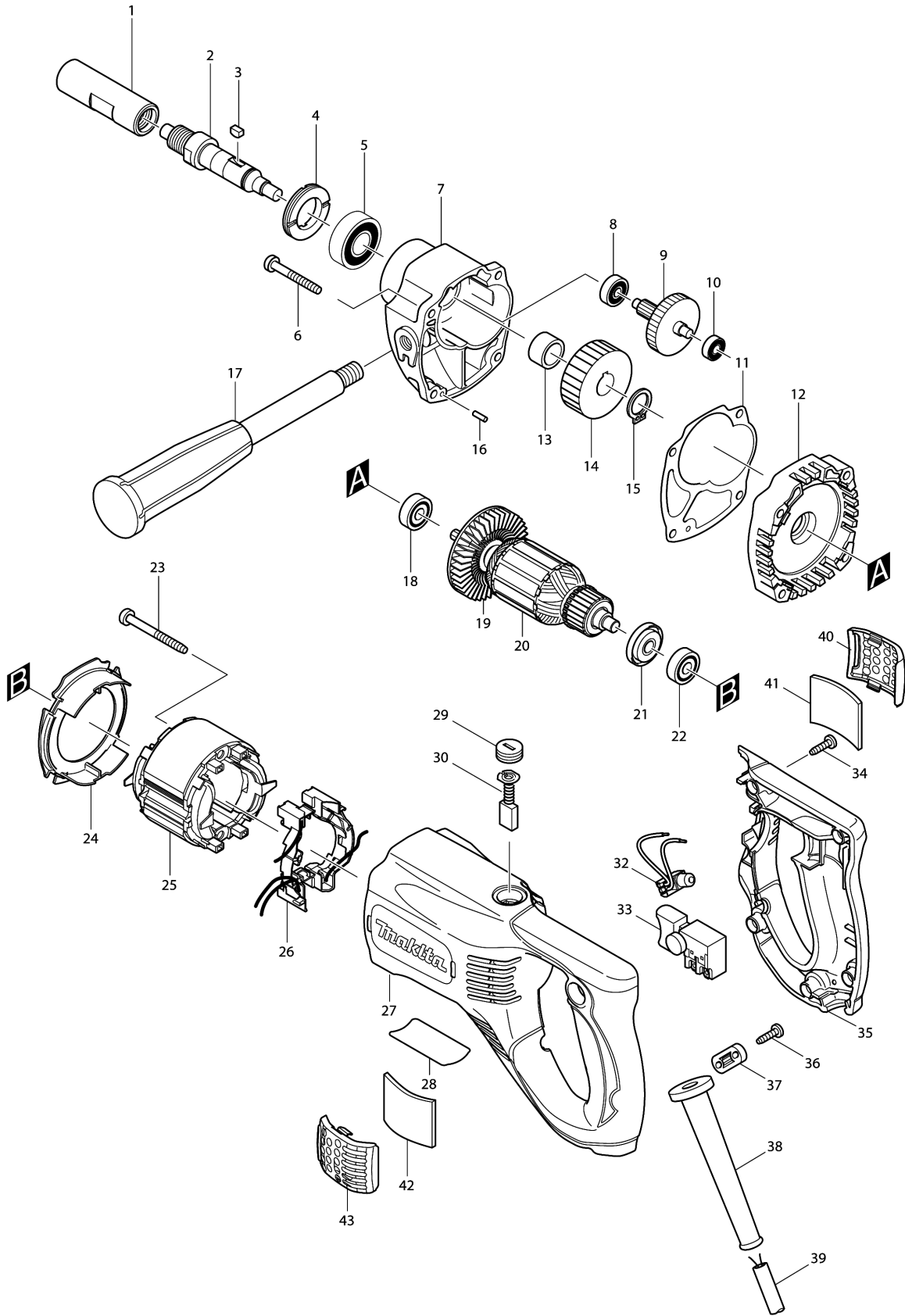


Model No.UT2204 MIXER



Model No.UT2204 MIXER

Item	Parts No.	Description	I/C	Qty	New/Old	Opt. 1	Opt. 2	Note
001	324265-3	SHAFT HOLDER		1				
002	324273-4	SPINDLE		1				
003	254011-9	WOODRUFF KEY 4		1				
004	285807-7	BEARING RETAINER 22-36		1				
005	211206-7	BALL BEARING 6202LLB		1				
006	266211-9	TAPPING SCREW 5X40		4				
007	317598-3	GEAR HOUSING		1				
008	211016-2	BALL BEARING 626LLB		1				
009	226826-4	GEAR COMPLETE 7-46		1				
010	210006-2	BALL BEARING 696ZZ		1				
011	419529-9	GASKET		1	*			
011-1	419529-9	GASKET	O	1				
012	153414-3	GEAR HOUSING COVER COMPLETE		1				
013	257719-4	SLEEVE 15		1				
014	226561-4	HELICAL GEAR 43		1				
015	961055-9	RETAINING RING S-15		1				
016	256180-2	PIN 3		1				
017	152892-4	GRIP COMPLETE		1				
018	211031-6	BALL BEARING 608LLB		1				
019	241850-6	FAN 60		1				
020	513654-9	ARMATURE ASS'Y 240V		1				
D10		INC. 18,19,21,22						
021	681644-1	INSULATION WASHER		1				
022	211031-6	BALL BEARING 608LLB		1				
023	266046-8	TAPPING SCREW 5X50		2				
024	419417-0	BAFFLE PLATE		1				
025	634554-1	FIELD 230-240V		1				
026	638443-2	SUPPORT COMPLETE		1				
027	154874-2	MOTOR HOUSING COMPLETE		1				
C10	643708-9	BRUSH HOLDER 5-11		2				
028	862264-2	UT2204 NAME PLATE		1				
029	643750-0	BRUSH HOLDER CAP 7-11		2	*			
029-1	643515-0	HOLDER CAP 7-11	O	2				
030	191963-2	CARBON BRUSH CB-303		1				
032	631706-5	PILOT LAMP		1				
033	650203-2	SWITCH SGEL115CD-1		1				
034	265995-6	TAPPING SCREW 4X18		5				
035	419416-2	HANDLE COVER		1				
036	265995-6	TAPPING SCREW 4X18		2				
037	687052-4	STRAIN RELIEF		1				
038	682559-5	CORD GUARD 8		1				

Model No.UT2204 MIXER

Item	Parts No.	Description	I/C	Qty	New/Old	Opt. 1	Opt. 2	Note
039	695034-2	POWER SUPPLY CORD 1.0-2-4.0		1				
040	345691-3	COVER		1				
041	423322-5	FILTER		1				
042	423322-5	FILTER		1				
043	345691-3	COVER		1				
A01	315113-7	MIXING BLADE		1	*			
A01-1	A-43717	MIXING BLADE	<	1				
D10		INC. A03						
A02	168369-9	SHAFT COMPLETE		1	*			
A02-1	A-43773	SHAFT COMPLETE	O	1				
A03	265440-1	HEX. BOLT M8X16		1				
A04	781006-4	WRENCH 13		1				
A05	781010-3	WRENCH 19		2				
E01	645253-0	NOISE SUPPRESSOR		1				
E02	654531-7	TERMINAL BLOCK 2P		1				
E03	646077-7	CHOKE COIL		1				

Please order the parts with part number.

Print Date 31/3/2020