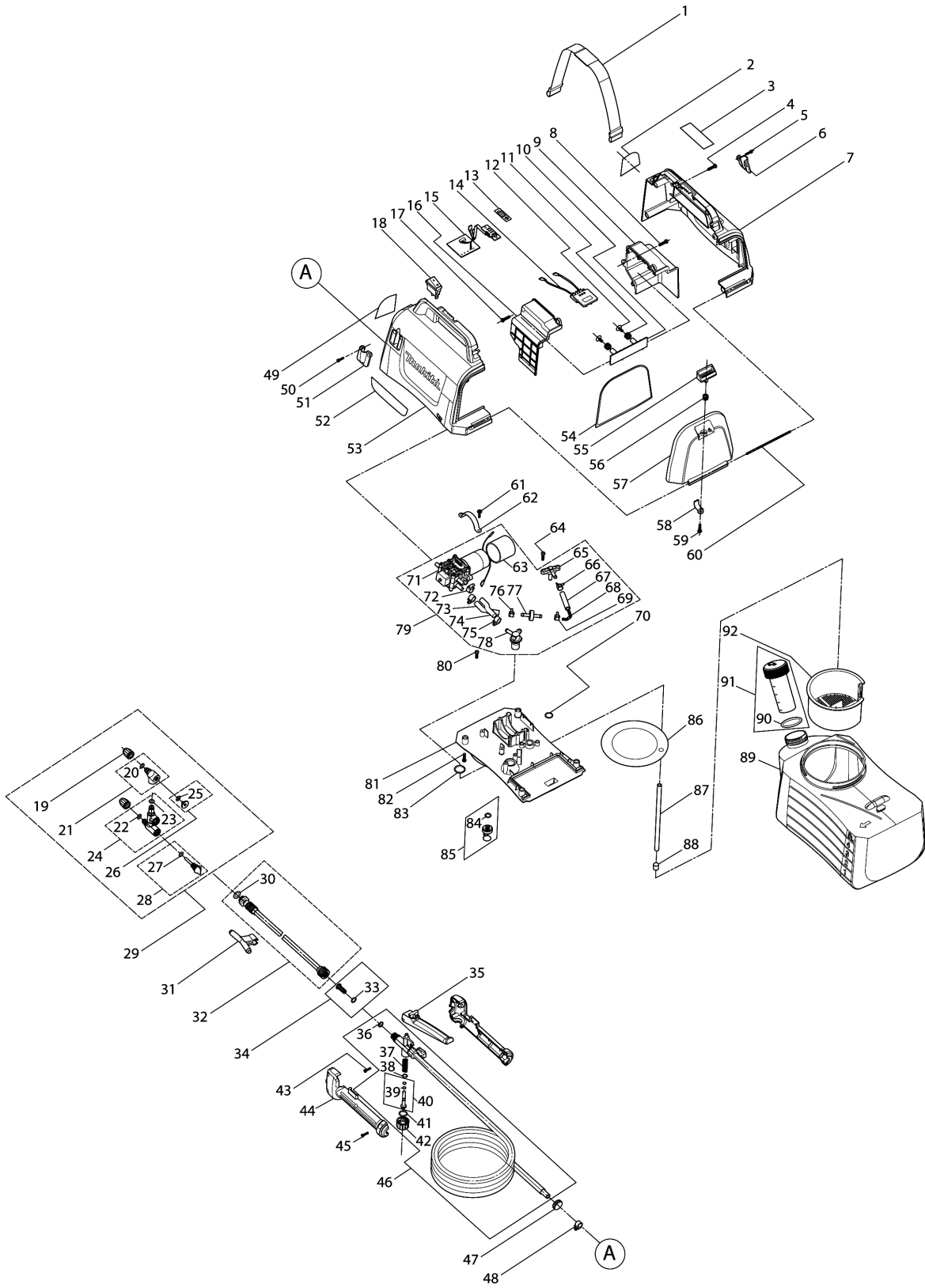


Model No.US053D CORDLESS GARDEN SPRAYER



Model No.US053D CORDLESS GARDEN SPRAYER

Item	Parts No.	Description	I/C	Qty	New/Old	Opt. 1	Opt. 2	Note
001	PR00000128	SHOULDER STRAP		1				
002	PR00000206	WARNING TEXT LABEL-EN		1				
003	PR00000214	RATING LABEL-0002		1				
004	PR00000183	TAPPINNG SCREW ST4.0X16		6				
005	PR00000182	TAPPINNG SCREW ST2.9X12		2				
006	PR00000189	SPRAY WAND HOLDER		1	*			
006-1	PR00000189	SPRAY WAND HOLDER	O	1				
007	PR00000129	HOUSING SET		1				
D10		INC. 53						
008	PR00000183	TAPPINNG SCREW ST4.0X16		1				
009	PR00000185	BATTERY HOUSING		1				
D10		INC. 16						
010	PR00000130	DAM-BOARD		1				
011	PR00000131	DAM-BOARD SPRING		2				
012	PR00000132	TAPPING SCREW ST4.0X12		2				
013	PR00000133	INDICATION LABEL		1				
014	PR00000134	BATTERY TERMINAL		1	*			
014-1	PR00000134	BATTERY TERMINAL	O	1				
015	PR00000135	PCB		1				
016	PR00000185	BATTERY HOUSING		1				
D10		INC. 9						
017	PR00000183	TAPPINNG SCREW ST4.0X16		2				
018	PR00000136	SWITCH		1				
019	PR00000137	SPRAY HEAD		2				
020	PR00000186	O RING 6X2		1				
021	PR00000138	NOZZLE HOLDER		1				
D10		INC. 20						
022	PR00000186	O RING 6X2		1				
023	PR00000186	O RING 6X2		1				
024	PR00000139	ROD JOINT		1				
D10		INC. 22,23						
025	PR00000186	O RING 6X2		1				
026	PR00000140	END CAP		1				
D10		INC. 25						
027	PR00000186	O RING 6X2		1				
028	PR00000141	ADJUSTING KNOB		1				
D10		INC. 27						
029	PR00000142	TOW HEAD NOZZLE		1				
D10		INC. 19,21,24,26,28						
030	PR00000143	SEAL PAD 9X17X2		1				
031	PR00000144	HOOK		1				
032	PR00000145	SPRAY WAND		1				

Model No.US053D CORDLESS GARDEN SPRAYER

Item	Parts No.	Description	I/C	Qty	New/Old	Opt. 1	Opt. 2	Note
D10		INC. 30						
033	PR00000146	O SEAL RING 4.5X1.5		1				
034	PR00000147	FILTER ASSEMBLY		1				
D10		INC. 33						
035	PR00000148	HANDLE TRIGGER ASSEMBLY		1				
036	PR00000149	O RING 8X1.8		1				
037	PR00000150	SPRING		1				
038	PR00000204	O RING 6X2		1				
039	PR00000205	O RING 3X1		2				
040	PR00000151	VALVE ROD		1				
D10		INC. 39						
041	PR00000190	O RING 12X2		1				
042	PR00000152	LOCK COVER		1				
043	PR00000182	TAPPINNG SCREW ST2.9X12		1				
044	PR00000153	HANDLE SET		1				
045	PR00000182	TAPPINNG SCREW ST2.9X12		5				
046	PR00000154	SPRAY HOSE ASSEMBLY		1				
D10		INC. 36-38,40-42						
047	PR00000155	GROMMET		1				
048	PR00000184	SNAPPER HOSE CLAMP (L)		1				
049	PR00000211	WARNING LOGO LABEL		1				
050	PR00000182	TAPPINNG SCREW ST2.9X12		2				
051	PR00000189	SPRAY WAND HOLDER		1	*			
051-1	PR00000189	SPRAY WAND HOLDER	O	1				
052	PR00000157	DECORATION LABEL 12V MAX		1				
053	PR00000129	HOUSING SET		1				
D10		INC. 7						
054	PR00000158	BATTERY COVER SEAL PAD		1				
055	PR00000159	BATTERY COVER BUTTON		1				
056	PR00000160	SPRING		1				
057	PR00000161	BATTERY COVER		1				
058	PR00000162	PRESS-BUTTON		1				
059	PR00000007	TAPPING SCREW ST2.9X15		1				
060	PR00000163	SHAFT		1				
061	PR00000183	TAPPINNG SCREW ST4.0X16		2				
062	PR00000164	MOTOR FIXED BLOCK		1				
063	PR00000165	SHOCK ABSORBER RING		1				
064	PR00000183	TAPPINNG SCREW ST4.0X16		2				
065	PR00000166	INLET CONNECTION		1				
066	PR00000188	HOSE CLIP		1				
067	PR00000187	DELIVERY TUBE (55MM)		1				
068	PR00000167	SPRING		1				

Model No.US053D CORDLESS GARDEN SPRAYER

Item	Parts No.	Description	I/C	Qty	New/Old	Opt. 1	Opt. 2	Note
069	PR00000188	HOSE CLIP		1				
070	PR00000190	O RING 12X2		1				
071	PR00000168	PUMP UNIT WITH MOTOR		1	*			
071-1	PR00000168	PUMP UNIT WITH MOTOR	O	1				
072	PR00000184	SNAPPER HOSE CLAMP (L)		2	*			
072-1	PR00000247	SNAPPER HOSE CLAMP (S)	X	2				
073	PR00000187	DELIVERY TUBE (55MM)		1	*			
073-1	PR00000248	DELIVERY TUBE (48MM)	X	1				
074	PR00000187	DELIVERY TUBE (55MM)		1	*			
074-1	PR00000249	DELIVERY TUBE (40MM)	X	1				
075	PR00000184	SNAPPER HOSE CLAMP (L)		1	*			
075-1	PR00000247	SNAPPER HOSE CLAMP (S)	X	1				
076	PR00000188	HOSE CLIP		1				
077	PR00000169	CHECK VALVE ASSEMBLY		1				
078	PR00000170	WATER INLET		1				
079	PR00000171	PUMP ASSY		1	*			
D10		INC. 63,65-69,71-78			*			
079-1	PR00000171	PUMP ASSY	O	1				
D10		INC. 63,65-69,71-78						
080	PR00000183	TAPPINNG SCREW ST4.0X16		2				
081	PR00000172	BASE BOARD		1				
082	PR00000183	TAPPINNG SCREW ST4.0X16		4				
083	PR00000173	O RING 17X2		1				
084	PR00000186	O RING 6X2		1				
085	PR00000174	KNOB LOCK CAP ASSEMBLY		1				
D10		INC. 84						
086	PR00000175	SEAL PAD FOR TANK		1				
087	PR00000176	SUCTION TUBE 190MM		1				
088	PR00000177	FILTER		1				
089	PR00000178	TANK (LITRE)		1				
090	PR00000179	O RING 34X3.5		1				
091	PR00000180	TANK CAP WITH MEASURING CUP (M		1				
D10		INC. 90						
092	PR00000181	FILTER CARTRIDGE		1				
093	PR00000247	SNAPPER HOSE CLAMP (S)		1				
096	687010-0	BAND		1				

Please order the parts with part number.

Print Date 22/12/2021