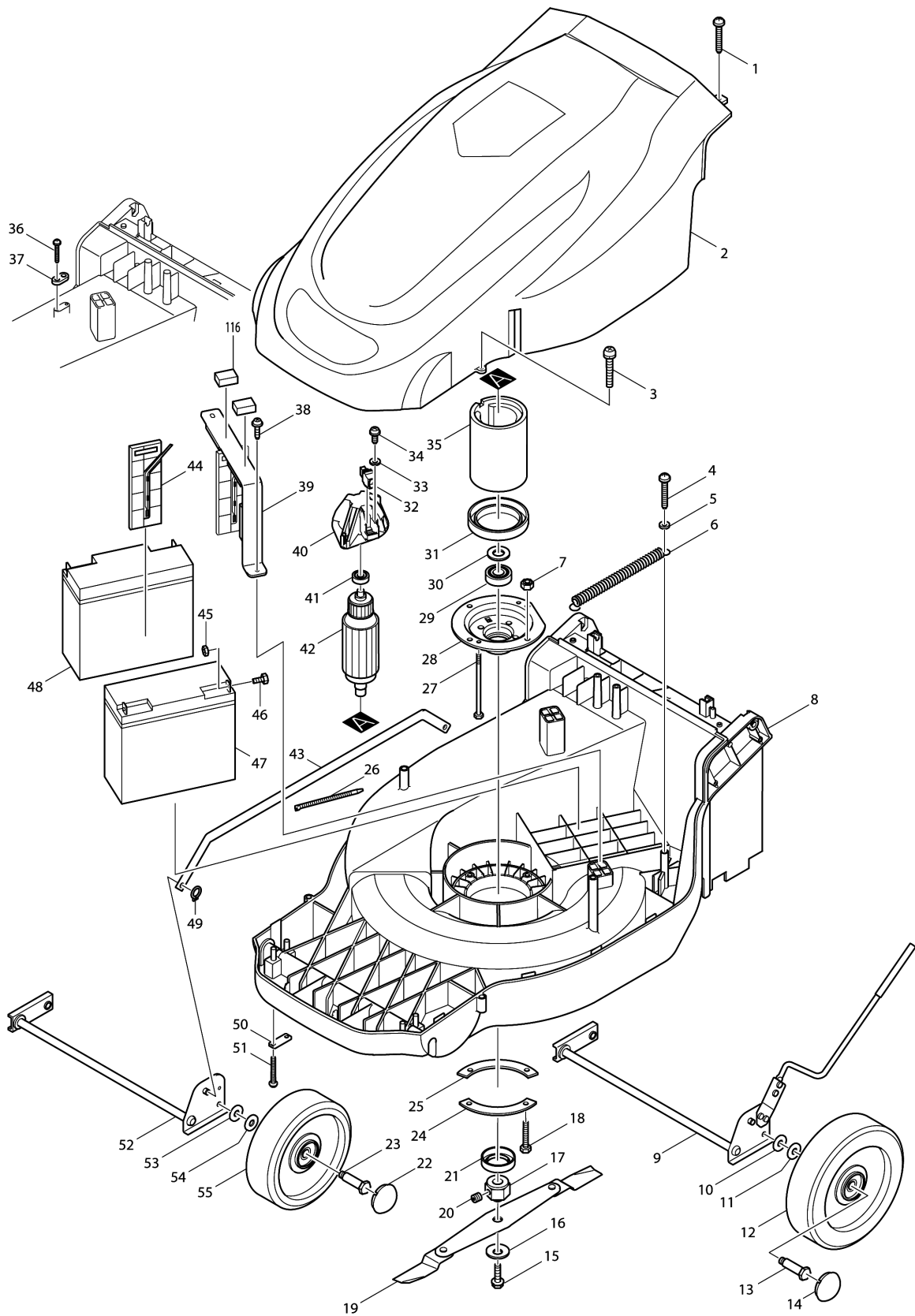
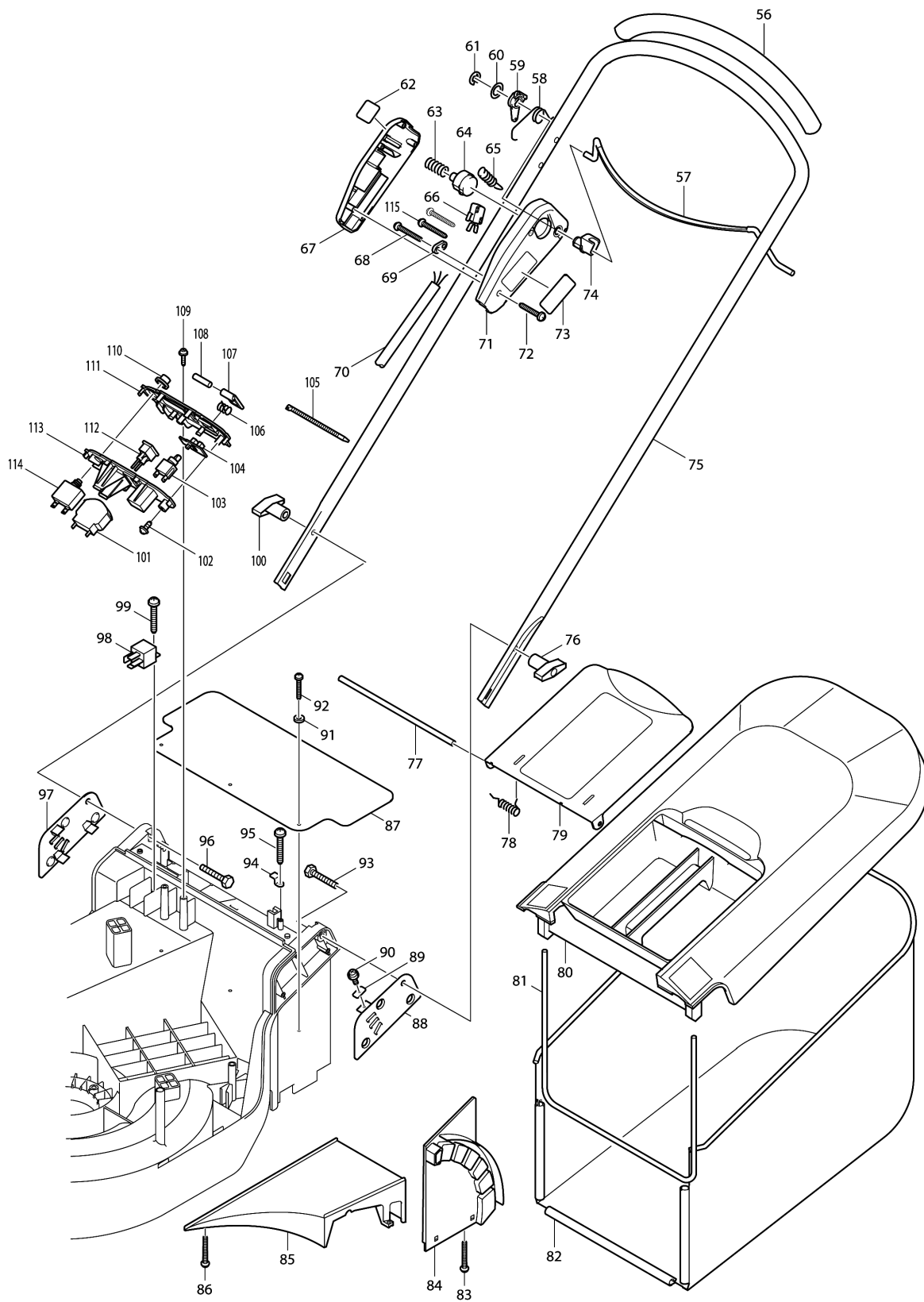


Model No.UM401D LAWN MOWER



Model No.UM401D LAWN MOWER



Model No.UM401D LAWN MOWER

Item	Parts No.	Description	I/C	Qty	New/Old	Opt. 1	Opt. 2	Note
001	265995-6	TAPPING SCREW 4X18		2				
002A_	150725-7	COWLING COMPLETE		1				
C10	819727-9	INDICATION LABEL		1				
C20	819726-1	MAKITA LABEL		1				
003	265999-8	TAPPING SCREW 4X25		2				
004	265995-6	TAPPING SCREW 4X18		1				
005	267071-2	FLAT WASHER 4		1				
006	231811-4	TENSION SPRING 12		1				
007	252014-7	HEX. LOCK NUT M6-10		4				
008	416208-0	DECK		1				
009	163384-8	REAR SHAFT		1				
010	267052-6	FLAT WASHER 10		2				
011	267052-6	FLAT WASHER 10		2				
012	162192-4	8" WHEEL		2				
013	265450-8	BOLT 3/8-16UNC		2				
014	416258-5	WHEEL CAP		2				
015	251690-4	HEX. FLANGE HEAD BOLT M8X30		1				
016	232176-7	CONED DISC SPRING 14		1				
017	331517-5	BLADE HOLDER		1				
018	921362-2	HEX. BOLT M6X40		4				
019	729015-5	SWING ARM BLADE 406		1				
020	266162-6	H.S.SET SCREW(FLAT POINT)M8X8		1				
021	344550-8	DUST COVER		1				
022	416258-5	WHEEL CAP		2				
023	265450-8	BOLT 3/8-16UNC		2				
024	344561-3	FIX PLATE		1				
025	344561-3	FIX PLATE		1				
026	687092-2	BAND		1				
027	265448-5	HEX. BOLT M5X115		2				
028	344460-9	BEARING BOX		1				
029	211256-2	BALL BEARING 6203LLB		1				
030	267038-0	FLAT WASHER 17		1				
031	416259-3	PLATE		1				
032	191965-8	CARBON BRUSH CB-423		1				
033	253874-0	FLAT WASHER 4		2				
034	266020-6	TAPPING SCREW 4X12		2				
035	632781-4	YOKE UNIT		1				
036	265995-6	TAPPING SCREW 4X18		2				
037	687053-2	STRAIN RELIEF		1				
038	266041-8	TAPPING SCREW 5X25		2				
039	150680-3	BATTERY HOLDER COMPLETE		1				

Please order the parts with part number.

Print Date 4/7/2019

Model No.UM401D LAWN MOWER

Item	Parts No.	Description	I/C	Qty	New/Old	Opt. 1	Opt. 2	Note
040	416202-2	END BELL		1				
041	211061-7	BALL BEARING 6000LLB		1				
042	125069-4	MOTOR ASS'Y		1				
C10	619040-3	ARMATURE DC24V		1				
D10		INC. 27-35,40,41						
043	344462-5	CONNECTING ROD		1				
044	632784-8	THERMAL CUT OFF COMPLETE		1				
045	652111-3	HEX. NUT M5		4				
046	652035-3	+ HEX. BOLT M5X12		4				
047A_	678118-1	BATTERY		1				
048A_	678118-1	BATTERY		1				
049	961004-6	RETAINING RING S-8		2				
050	341462-6	PLATE		4				
051	265995-6	TAPPING SCREW 4X18		8				
052	163385-6	FRONT SHAFT		1				
053	267052-6	FLAT WASHER 10		2				
054	267052-6	FLAT WASHER 10		2				
055	162191-6	7" WHEEL		2				
056	421580-7	HANDLE CUSHION		1				
057	331499-1	SWITCH LEVER		1				
058	231628-5	TORSION SPRING 20		1	*			
058-1	231639-0	TORSION SPRING 20	X	1				
059	416198-7	LEVER		1	*			
059-1	416627-0	LEVER	X	1				
060	253315-6	THIN WASHER 15		1				
061	961062-2	STOP RING E-12		1				
062	816768-6	INDICATION LABEL		1				
063	233182-5	COMPRESSION SPRING 16		1				
064	416216-1	SWITCH BUTTON		1				
065	231812-2	TENSION SPRING 5		1				
066	651948-5	SWITCH		1				
067	416201-4	SWITCH BOX COVER		1	*			
067-1	416609-2	SWITCH BOX COVER	X	1				
068	265995-6	TAPPING SCREW 4X18		2				
069	687053-2	STRAIN RELIEF		1				
070	664440-2	CORD UNIT		1				
071	416200-6	SWITCH BOX		1	*			
071-1	416608-4	SWITCH BOX	X	1				
072	265995-6	TAPPING SCREW 4X18		4				
073	858717-7	NAME PLATE UM401DW		1				
074	416199-5	SWITCH LEVER ARM		1				
075	165210-7	HANDLE		1				

Please order the parts with part number.

Print Date 4/7/2019

Model No.UM401D LAWN MOWER

Item	Parts No.	Description	I/C	Qty	New/Old	Opt. 1	Opt. 2	Note
076	252641-0	WING NUT M8		1				
077	322925-1	REAR GUARD SHAFT		1				
078	231627-7	TORSION SPRING 8		2				
079B_	150724-9	REAR GUARD COMPLETE		1				
C10	810880-4	CAUTION LABEL		1				
080B_	150723-1	REAR BAG COVER COMPLETE		1				
C10	810885-4	CAUTION LABEL		1				
C20	810886-2	CAUTION LABEL		1				
081	322926-9	REAR BAG ROD		1				
082	166045-9	REAR BAG		1				
083	265995-6	TAPPING SCREW 4X18		2				
084	150696-8	HEIGHT ADJUSTER COMPLETE		1				
C10	816769-4	SCALE LABEL		1				
085	416205-6	UNDER COVER		1				
086	265995-6	TAPPING SCREW 4X18		3				
087	423299-4	UNDER GUARD		1				
088	165209-2	HANDLE HOLDER L		1				
089	344557-4	HOLDER PLATE		6				
090	911116-5	PAN HEAD SCREW M4X12		6				
091	267071-2	FLAT WASHER 4		3				
092	265995-6	TAPPING SCREW 4X18		3				
093	921472-5	HEX. BOLT M8X50		1				
094	344454-4	SHAFT HOLDER		2				
095	265995-6	TAPPING SCREW 4X18		2				
096	921472-5	HEX. BOLT M8X50		1				
097	165208-4	HANDLE HOLDER R		1				
098	652731-3	RELAY		1				
099	265995-6	TAPPING SCREW 4X18		1				
100	252641-0	WING NUT M8		1				
101	679503-1	INDICATOR		1				
102	266020-6	TAPPING SCREW 4X12		2				
103	651420-7	SWITCH		1				
104	416196-1	SWITCH PLATE		1				
105	687092-2	BAND		1				
106	231602-3	TORSION SPRING 4		1				
107	416217-9	INLET COVER		1				
108	951075-1	SPRING PIN 3-28		1				
109	266041-8	TAPPING SCREW 5X25		2				
110	416279-7	CAP		1				
111	182905-7	CONTROL PANEL SET		1				
D10		INC. 113						
112	655412-8	INLET		1				

Please order the parts with part number.

Print Date 4/7/2019

Model No.UM401D LAWN MOWER

Item	Parts No.	Description	I/C	Qty	New/Old	Opt. 1	Opt. 2	Note
113	182905-7	CONTROL PANEL SET		1				
D10		INC. 111						
114	652730-5	CURRENT RELAY		1				
115	266172-3	TAPPING SCREW 6X30		2				
116	421585-7	SPONGE SHEET B		1				
A01	416197-9	KEY		1				
A02	781028-4	WRENCH 32		1				
A03	782226-3	BOX WRENCH 13		1	*			
A03-1	782227-1	BOX WRENCH 13	O	1				
A04	416211-1	MULCHING PLATE		1				

Please order the parts with part number.

Print Date 4/7/2019