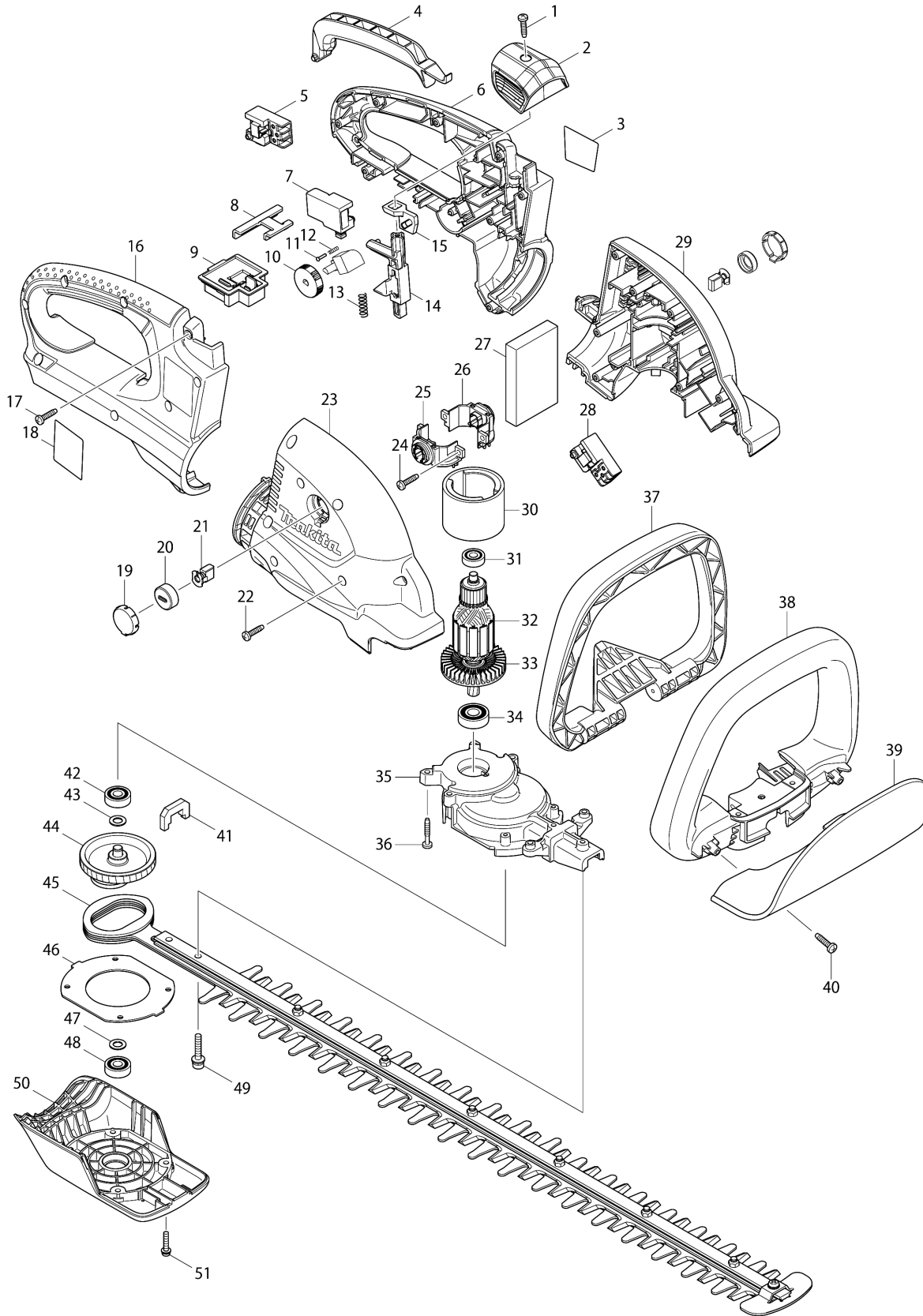


Model No.UH650D 650MM CORDLESS HEDGE TRIMMER



Model No.UH650D 650MM CORDLESS HEDGE TRIMMER

Item	Parts No.	Description	I/C	Qty	New/Old	Opt. 1	Opt. 2	Note
001	265995-6	TAPPING SCREW 4X18		1				
002	452164-0	KNOB		1				
003	891002-5	INDICATION LABEL		1				
004	452159-3	SWITCH LEVER A		1	*			
004-1	454932-7	SWITCH LEVER A	S	1				
005	650635-3	SWITCH TG73BDH		1				
006	188948-7	HANDLE SET		1				
C10	263005-3	RUBBER PIN 6		2				
D10		INC. 16						
007	650636-1	SWITCH TG72BDH-3		1	*			
008	346039-2	SUPPORT PLATE		1				
009	643849-1	TERMINAL		1				
010	271427-3	DIAL 28		1				
011	255058-6	RIVET 2		1				
012	233002-3	COMPRESSION SPRING 3		1				
013	233138-8	COMPRESSION SPRING 6		1	*			
013-1	233117-6	COMPRESSION SPRING 6	S	1				
014	452162-4	LOCK LEVER		1				
015	452163-2	SLIDER		1	*			
015-1	454933-5	SLIDER	S	1				
016	188948-7	HANDLE SET		1				
C10	263005-3	RUBBER PIN 6		2				
D10		INC. 6						
017	265995-6	TAPPING SCREW 4X18		9				
018	869495-4	UH650D NAME PLATE		1				
019	452145-4	HOLDER CAP COVER		2				
020	643941-3	BRUSH HOLDER CAP		2				
021	194928-3	CARBON BRUSH CB-442		1				
022	265995-6	TAPPING SCREW 4X18		8				
023	188950-0	HOUSING SET		1				
C10	263025-7	RUBBER PIN 4		4				
D10		INC. 29						
024	265995-6	TAPPING SCREW 4X18		2				
025	643857-2	BRUSH HOLDER		1				
026	643856-4	BRUSH HOLDER		1				
027	631988-9	CONTROLLER		1				
028	650635-3	SWITCH TG73BDH		1				
029	188950-0	HOUSING SET		1				
C10	263025-7	RUBBER PIN 4		4				
D10		INC. 23						
030	638020-0	YOKE UNIT		1				
031	211022-7	BALL BEARING 607ZZ		1				

Model No.UH650D 650MM CORDLESS HEDGE TRIMMER

Item	Parts No.	Description	I/C	Qty	New/Old	Opt. 1	Opt. 2	Note
032	519261-6	ARMATURE ASSEMBLY 36V		1				
D10		INC. 31,33,34						
033	240045-8	FAN 55		1				
034	211062-5	BALL BEARING 6000ZZ		1				
035	140604-7	GEAR HOUSING COMPLETE		1				
036	265999-8	TAPPING SCREW 4X25		6				
037	452160-8	SWITCH LEVER B		1				
038	452158-5	FRONT GRIP		1				
039	452147-0	PROTECTOR		1				
040	265995-6	TAPPING SCREW 4X18		2				
041	443142-1	DUST GUARD		1				
042	211032-4	BALL BEARING 608ZZ		1	*			
042-1	210223-4	BALL BEARING 608ZZ	O	1				
043	253835-0	FLAT WASHER 8		1				
044	140536-8	GEAR COMPLETE		1				
045	194673-0	SHEAR BLADE ASS'Y SET		1	*			
C10	252184-2	HEX.LOCK NUT M5-8		6	*			
C20	257717-8	SLEEVE 5		8	*			
C30	265181-9	+TRUSS HEAD SCREW M5X20		6	*			
C40	345205-8	BRANCH CATCHER		1	*			
C50	911208-0	PAN HEAD SCREW M5X10		1	*			
C60	188605-7	OIL VESSEL SET		1	*			
045-1	196688-3	SHEAR BLADE ASS'Y SET	O	1				
C10	252184-2	HEX.LOCK NUT M5-8		6				
C20	257717-8	SLEEVE 5		8				
C30	265181-9	+TRUSS HEAD SCREW M5X20		6				
C40	345205-8	BRANCH CATCHER		1				
C50	911208-0	PAN HEAD SCREW M5X10		1				
C60	188605-7	OIL VESSEL SET		1				
046	346325-1	PLATE		1				
047	253835-0	FLAT WASHER 8		1				
048	211032-4	BALL BEARING 608ZZ		1	*			
048-1	210223-4	BALL BEARING 608ZZ	O	1				
049	265182-7	+ PAN HEAD SCREW M5X25		2				
050	452156-9	UNDER COVER		1				
051	911138-5	PAN HEAD SCREW M4X20		4				
A01	450490-1	BLADE COVER		1				
A02D	***DC36WA	DC36WA BATTERY CHARGER		1				
A03D	195410-5	BATTERY BL3622A SET		1	*			
A03-1D	195410-5	BATTERY BL3622A SET	O	1	*			
A03-2D	195410-5	BATTERY BL3622A SET	O	1				
E01	688131-1	LINE FILTER		1				

Please order the parts with part number.

Print Date 2/9/2020

Model No.UH650D 650MM CORDLESS HEDGE TRIMMER

Item	Parts No.	Description	I/C	Qty	New/Old	Opt. 1	Opt. 2	Note
E02	688165-4	LINE FILTER		1				

Please order the parts with part number.

Print Date 2/9/2020