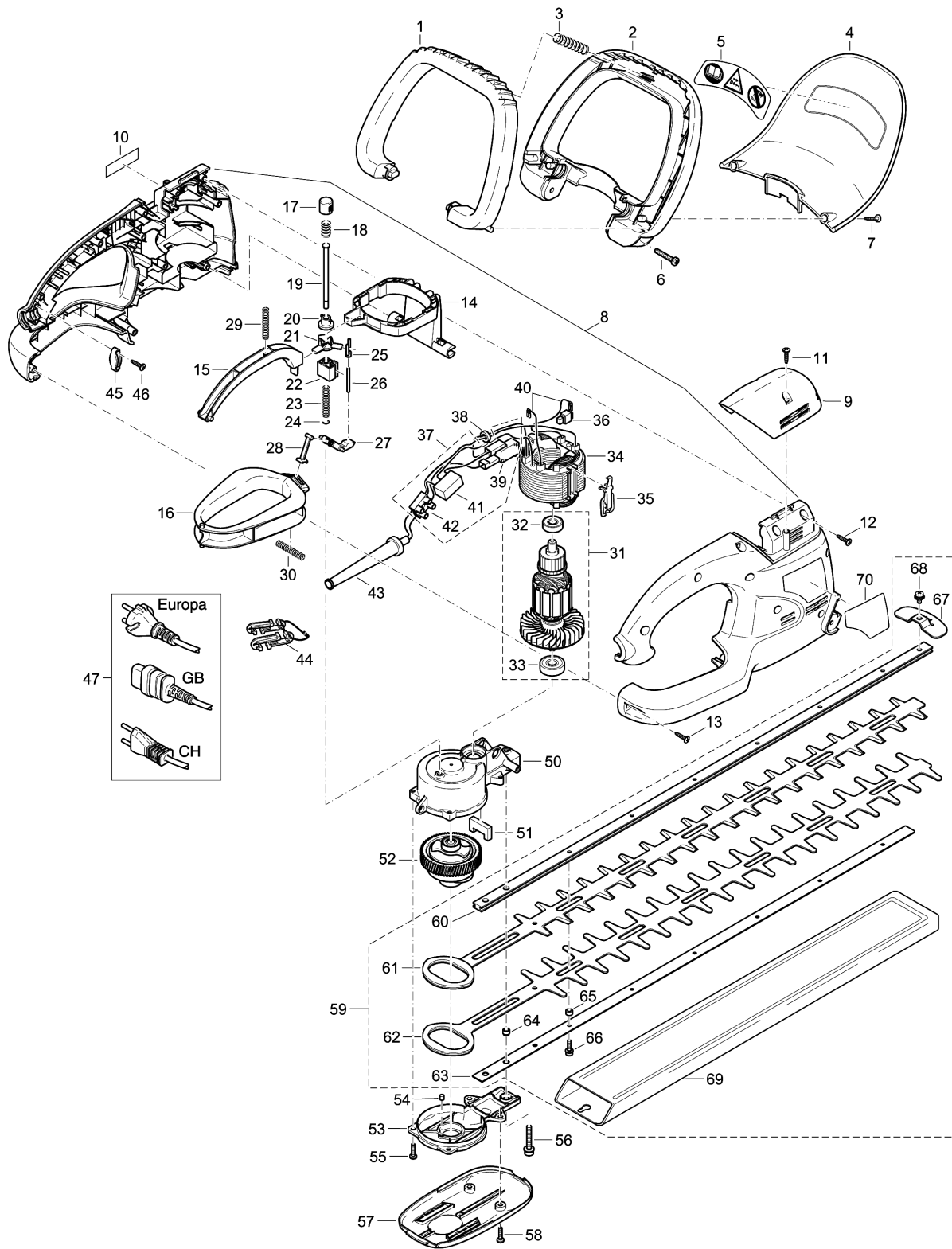


Model No.UH4540 HEDGE TRIMMER 450MM



Model No.UH4540 HEDGE TRIMMER 450MM

Item	Parts No.	Description	I/C	Qty	New/Old	Opt. 1	Opt. 2	Note
001	223144110	SWITCH LEVER B		1				
002	223310110	TUBULAR HANDLE		1				
003	221145110	PURESSURE SPRING		1				
004	223213150	HAND GUARD		1				
005	980114292	CAUTION LABEL		1				
006	913250304	SCREW M5X30		2				
007	913540185	SCREW 4X18		2				
008	223110610	HOUSING CPL.		1				
009	223111050	HOUSING TOP COVER		1				
010	980114832	MAKITA LABEL		1				
011	913540185	SCREW 4X18		2				
012	913540185	SCREW 4X18		2				
013	913540185	SCREW 4X18		9				
014	223144130	SWITCH FORK		1				
015	223144120	SWITCH LEVER A		1				
016	223144140	SWITCH LEVER C		1				
017	223144030	CAP		1				
018	223145010	PRESSURE SPRING		1				
019	223144010	SWITCH ROD		1				
020	223144040	CAP HOLDER		1				
021	223144150	LIFTER		1				
022	223144050	PIN HOLDER		1				
023	221145120	PRESSURE SPRING		1				
024	927304000	STOP RING E-4		1				
025	223144170	PUSHER CAP		1				
026	223229090	PIN 3		1				
027	223144180	LINK		1				
028	223144160	ROD		1				
029	221145120	PRESSURE SPRING		1				
030	221145120	PRESSURE SPRING		1				
031	970804830	ROTOR CPL.		1				
D10		INC. 32,33						
032	960101084	BALL BEARING 608ZZ		1				
033	960101104	BALL BEARING 6000ZZ		1				
034	970804230	STATOR CPL. 230/240V		1				
035	970804010	CLAMP		2				
036	223804410	CARBON BRUSH CPL.(2PCS.)		2				
037	223970010	CABLE HARNESS		1				
D10		INC. 39,41,42						
038	970804610	LINE FILTER		1				
039	970001230	SWITCH		1				
040	970311670	CONNECTING CABLE		2				

Please order the parts with part number.

Print Date 4/7/2019

Model No.UH4540 HEDGE TRIMMER 450MM

Item	Parts No.	Description	I/C	Qty	New/Old	Opt. 1	Opt. 2	Note
041	970109830	CAPACITOR		1				
042	970201220	SCREW WIRE CONNECTOR		1				
043	223152010	BREAK PROTECTION		1				
044	970102050	TRACTION RELIEF		1				
045	225152050	TRACTIN RELIEF,YELLOW		1				
046	913540185	SCREW 4X18		2				
047	970102200	CABLE WITH PLUG		1				
050	223211150	GEAR HOUSING		1				
051	223211040	DUST GUARD		1				
052	223220100	GEAR CPL.		1				
053	223211160	GEAR HOUSING COVER		1				
054	223111080	RUBBER PIN		1				
055	904904164	SCREW M4X16		2				
056	917105250	SCREW M5X25		2				
057	223111040	UNDER COVER		1				
058	904904164	SCREW M4X16		2				
059	223230610	SHEAR BLADE CPL.45CM		1				
D10		INC. 60-68						
060	223233110	MOUNTING BAR 45CM		1				
061	223233210	SHEAR PLATE A 45CM		1				
062	223233310	SHEAR PLATE B 45CM		1				
063	223233410	PRESSURE PLATE 45CM		1				
064	223233030	SLEEVE 5		2				
065	223233020	SLEEVE 4		4				
066	223233160	PAN HEAD SCREW M4X16		4				
067	223233170	GUARD		1				
068	223233090	PAN HEAD SCREW M5X10		1				
069	220233610	SHEATH 40-48CM		1				
070	980114857	LABEL UH4540		1				

Please order the parts with part number.

Print Date 4/7/2019