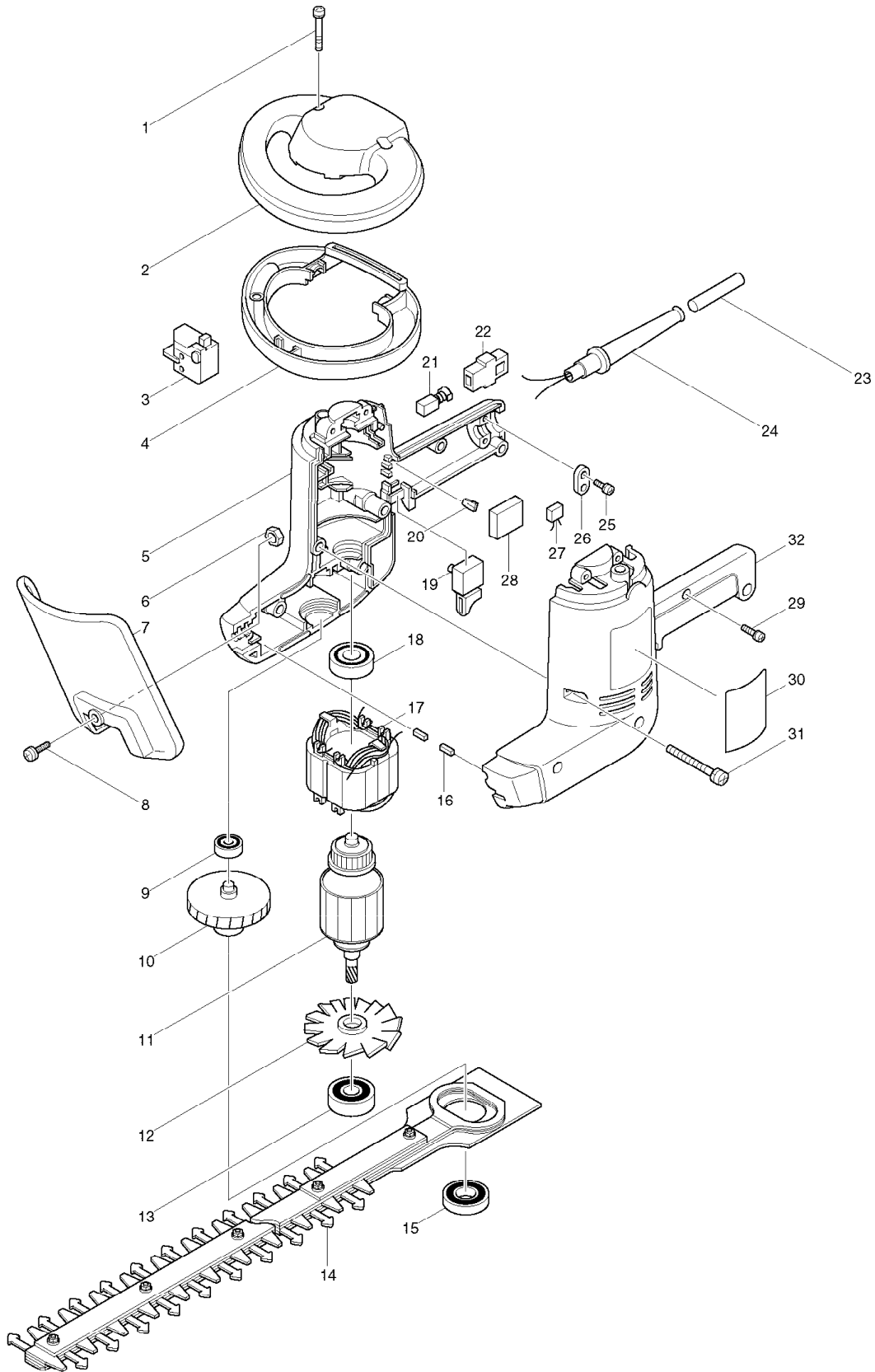


SERVICE DRAWING

MODEL NO. UH4500



SPARE PARTS LIST

MODEL NO. UH4500

| ITEM | PART NO. | DESCRIPTION | QTY | NOTE |
|------|----------|------------------------------|-----|------|
| 001 | 911248-8 | PAN HEAD SCREW M5X28 | 2 | |
| 002 | 410146-8 | HANDLE | 1 | |
| 003 | 651834-0 | SWITCH SP115C | 1 | |
| 004 | 410538-1 | SWITCH LEVER | 1 | |
| 005 | 182179-0 | HOUSING SET | 1 | |
| 006 | 931202-6 | HEX. NUT M5 | 1 | |
| 007 | 410147-6 | PROTECTOR | 1 | |
| 008 | 911233-1 | PAN HEAD SCREW M5X20 | 1 | |
| 009 | 211034-0 | BALL BEARING 608 | 1 | |
| 010 | 153187-8 | GEAR SHAFT COMPLETE | 1 | |
| 011 | 512993-4 | ARMATURE ASS'Y 220V 220V | 1 | 220V |
| 012 | 241517-6 | FAN 70 | 1 | |
| 013 | 211053-6 | BALL BEARING 609LB | 1 | |
| 014 | 122261-3 | SHEAR BLADE ASS'Y | 1 | |
| 015 | 211203-3 | BALL BEARING 6002LB | 1 | |
| 016 | 423093-4 | SEAL | 2 | |
| 017 | 594053-4 | FIELD ASS'Y 220V | 1 | 220V |
| 018 | 211033-2 | BALL BEARING 608LB | 1 | |
| 019 | 651236-0 | SWITCH C2M-M1T | 1 | |
| 020 | 423096-8 | SPONGE SEAL | 1 | |
| 021 | 181026-2 | CARBON BRUSH CB-55 | 1 | |
| 022 | 643551-6 | BRUSH HOLDER 5-8 | 2 | |
| 023 | 665500-3 | POWER SUPPLY CORD 1.00-2-0.4 | 1 | |
| 024 | 682504-0 | CORD GUARD 10-85 | 1 | |
| 025 | 911133-5 | PAN HEAD SCREW M4X18 | 2 | |
| 026 | 687001-1 | STRAIN RELIEF | 1 | |
| 027 | 645208-5 | NOISE SUPPRESSOR | 1 | |
| 028 | 685700-9 | SPONGE SHEET | 1 | |
| 029 | 911138-5 | PAN HEAD SCREW M4X20 | 1 | |
| 030 | 854846-4 | NAME PLATE UH4500 | 1 | |
| 031 | 911258-5 | PAN HEAD SCREW M5X35 | 4 | |
| 032 | 182179-0 | HOUSING SET | 1 | |
| 901 | 158024-1 | HOOK COMPLETE | 1 | |