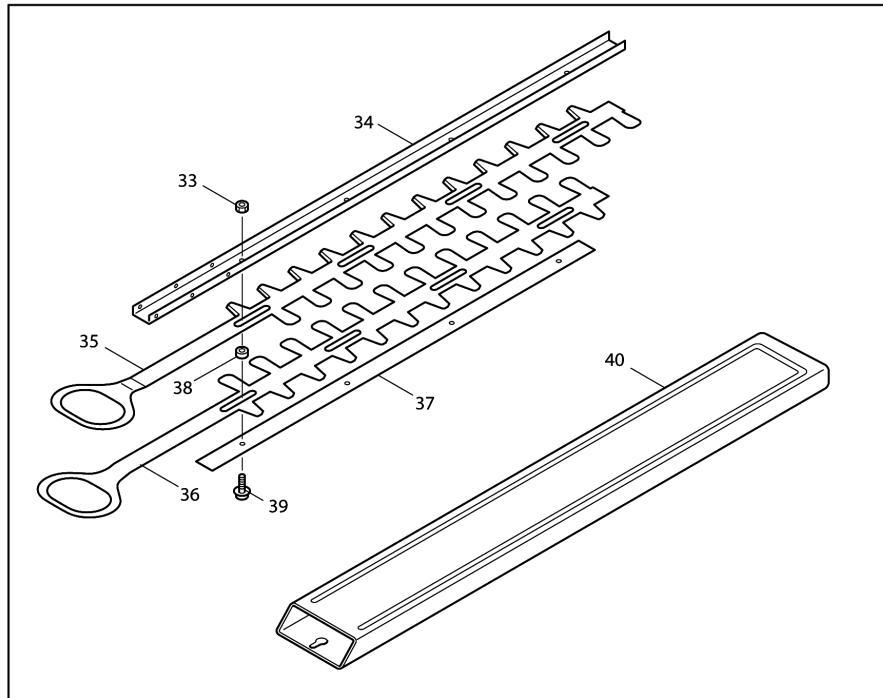
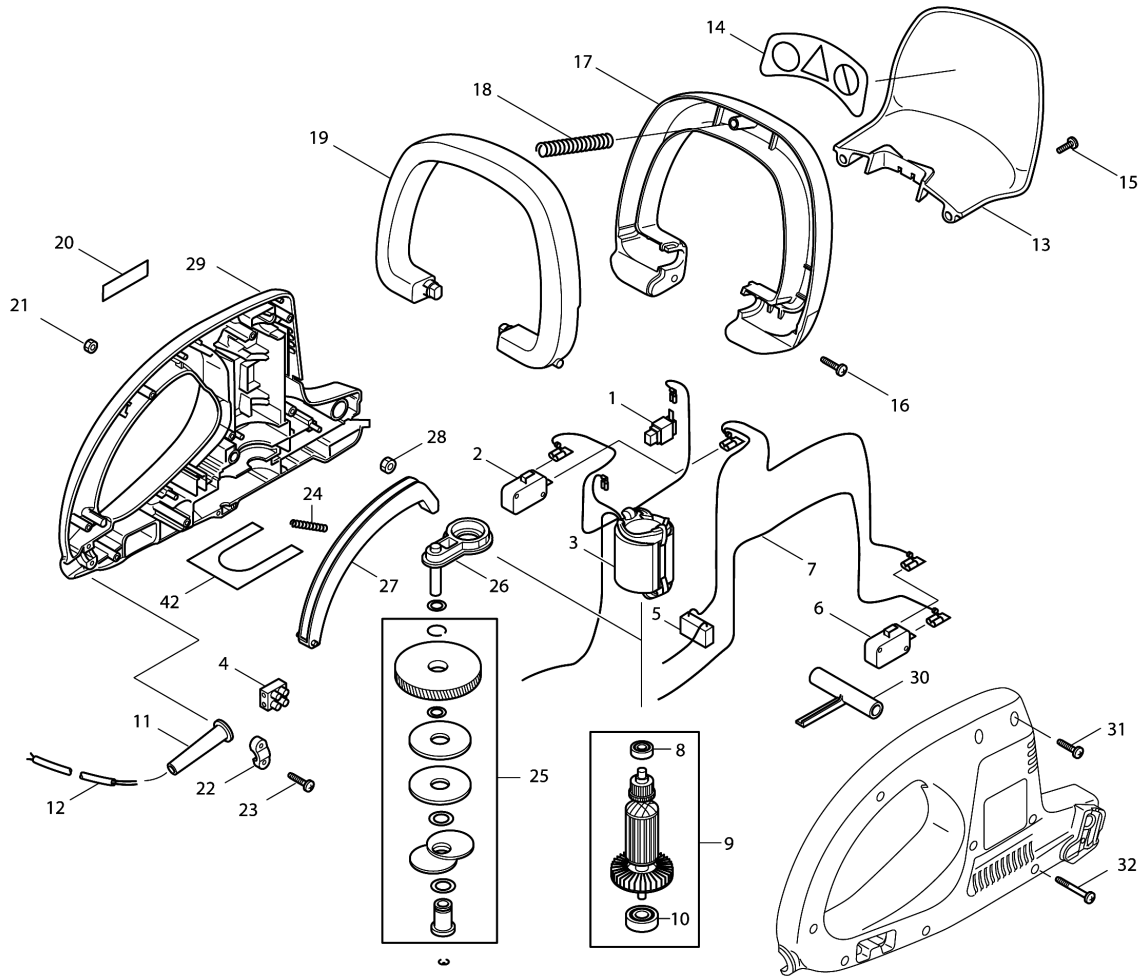


Model No.UH4030 HEDGE TRIMMER 400MM



Model No.UH4030 HEDGE TRIMMER 400MM

Item	Parts No.	Description	I/C	Qty	New/Old	Opt. 1	Opt. 2	Note
001	957800410	CARBON BRUSH CPL.		1				
002	970001220	SWITCH		1				
003	970801230	FIELD ASS'Y 230-240V		1				
004	970201220	SCREW WIRE CONNECTOR		1				
005	970311300	CAPACITOR+REACTANCE		1				
006	970001210	SWITCH		1	*			
006-1	970001210	SWITCH	O	1				
007	970311250	CONNECTING CABLE		1				
008	960101074	BALL BEARING		1				
009	970801830	ARMATURE ASS'Y 230-240V		1				
D10		INC. 8,10						
010	960101104	BALL BEARING 6000ZZ		1				
011	204152010	CORD GUARD		1				
012	970102200	CABLE WITH PLUG		1				
013	221213111	HAND GUARD		1				
014	980114292	CAUTION LABEL		1				
015	913540205	SCREW M4X20		2				
016	917005250	SCREW M5X25		2				
017	221310110	TUBULAR HANDLE		1				
018	221145110	PURESSURE SPRING		1				
019	221144110	FRONT GRIP SWITCH		1				
020	980114296	LABEL		1				
021	920204000	HEXAGONAL NUT		2				
022	203152050	TRACTION RELIEF		1				
023	915635164	SELF-CUTTING SCREW M3.5X16		2				
024	221145120	PRESSURE SPRING		1				
025	221220011	GEAR ASSEMBLY		1				
026	221211010	GEAR PLATE WITH AXLE		1				
027	221144120	REAR GRIP SWITCH		1				
028	920205000	HEX. NUT M5		2				
029	221110611	CASE, CPL.		1				
030	221144130	SWITCH FORK		1				
031	913540205	SCREW M4X20		8				
032	001230010	SCREW M4X35X25		2				
033	221233170	HEXAGONAL NUT M5		4				
034	221233111	MOUNTING BAR 40CM		1				
035	221233210	SHEAR PLATE A 40CM		1				
036	221233310	SHEAR PLATE B		1				
037	221233410	SHEAR PLATE B		1				
038	221233150	DISTANCE PIECE		4				
039	221233160	SCREW M5X14		4				
040	220233610	SHEATH 40-48CM		1				

Please order the parts with part number.

Print Date 4/7/2019

Model No.UH4030 HEDGE TRIMMER 400MM

Item	Parts No.	Description	I/C	Qty	New/Old	Opt. 1	Opt. 2	Note
041	221230611	SHEAR BLADE CPT. 40CM		1				
D10		INC. 33-40						
042	221229240	PLATE		1				

Please order the parts with part number.

Print Date 4/7/2019