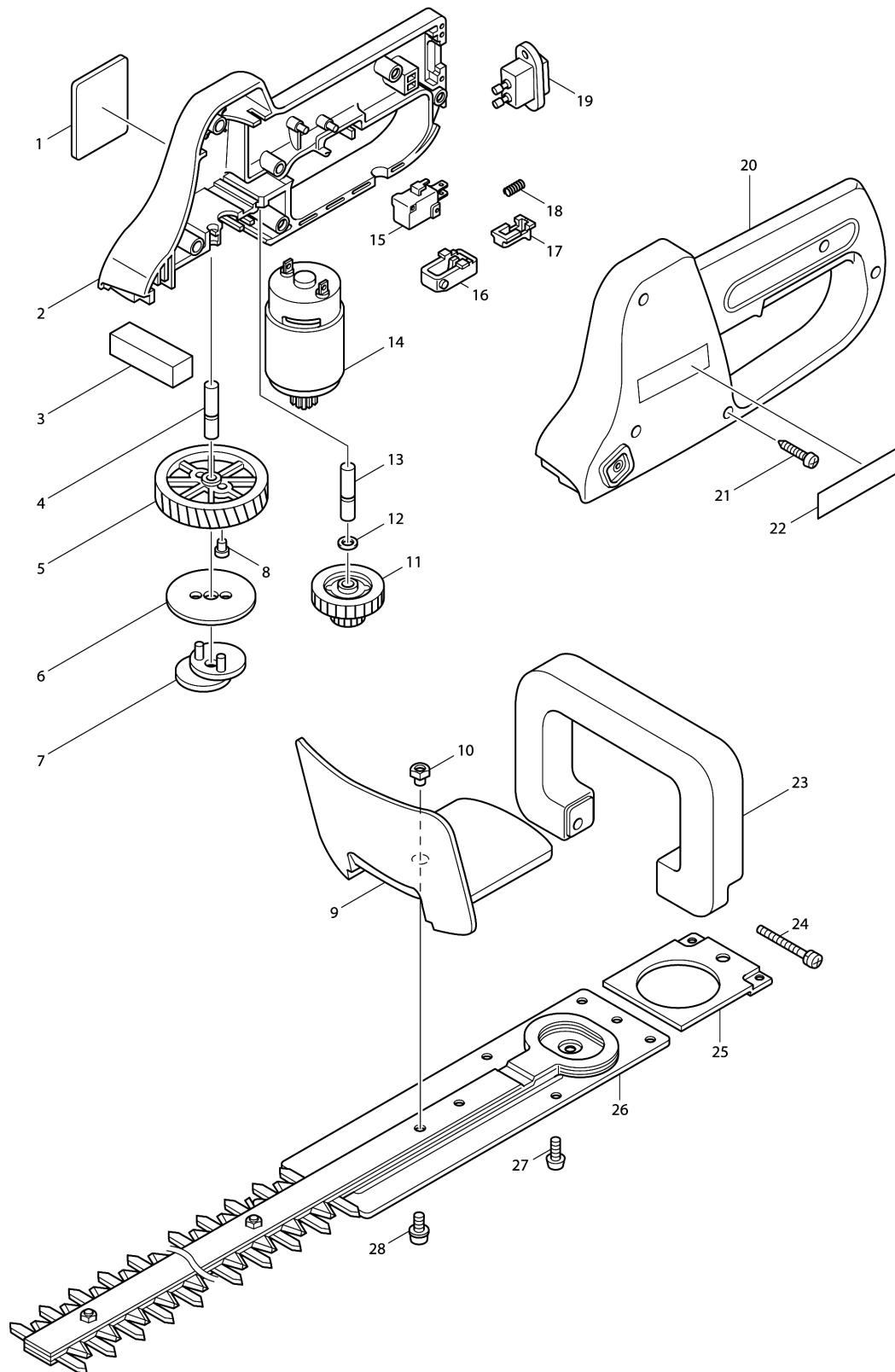


Model No.UH303D CORDLESS HEDGE TRIMMER



Model No.UH303D CORDLESS HEDGE TRIMMER

Item	Parts No.	Description	I/C	Qty	New/Old	Opt. 1	Opt. 2	Note
001	857620-9	NAME PLATE UH303D		1				
002	182683-9	HOUSING SET		1				
D10		INC. 20						
003	423134-6	SPONGE SEAL		1				
004	321902-0	SHAFT		1				
005	226436-7	HELICAL GEAR 52		1				
006	342819-4	PLATE		1				
007	164916-4	CRANK		1				
008	262531-9	URETHAN SLEEVE 4		2				
009	414520-2	GUARD		1				
010	252110-1	HEX. NUT M4-10		1				
011	226807-8	GEAR 14-34		1				
012	253077-6	FLAT WASHER 6		1				
013	321902-0	SHAFT		1				
014	629669-7	DC MOTOR 12V		1				
C10	221922-3	SPUR GEAR 9		1				
015	651852-8	SWITCH V-15-1A5		1				
016	410817-7	SWITCH LEVER		1				
017	414169-8	LOCK-OFF LEVER		1				
018	231390-2	COMPRESSION SPRING 3		1				
019	655409-7	INLET		1				
020	182683-9	HOUSING SET		1				
D10		INC. 2						
021	265874-8	TAPPING SCREW BT 4X20		5				
022	819063-3	MAKITA LABEL		1				
023	192450-4	GRIP SET		1				
D10		INC. 24						
024-1	911258-5	PAN HEAD SCREW M5X35		2				
025	344146-5	SPACER		1				
026B_	122490-8	SHEAR BLADE ASS'Y		1				
027	251307-9	+ PAN HEAD SCREW M4X15		4				
028	251329-9	PAN HEAD SCREW M4X10		1				
A01	414428-0	BLADE COVER		1				

Please order the parts with part number.

Print Date 4/7/2019

