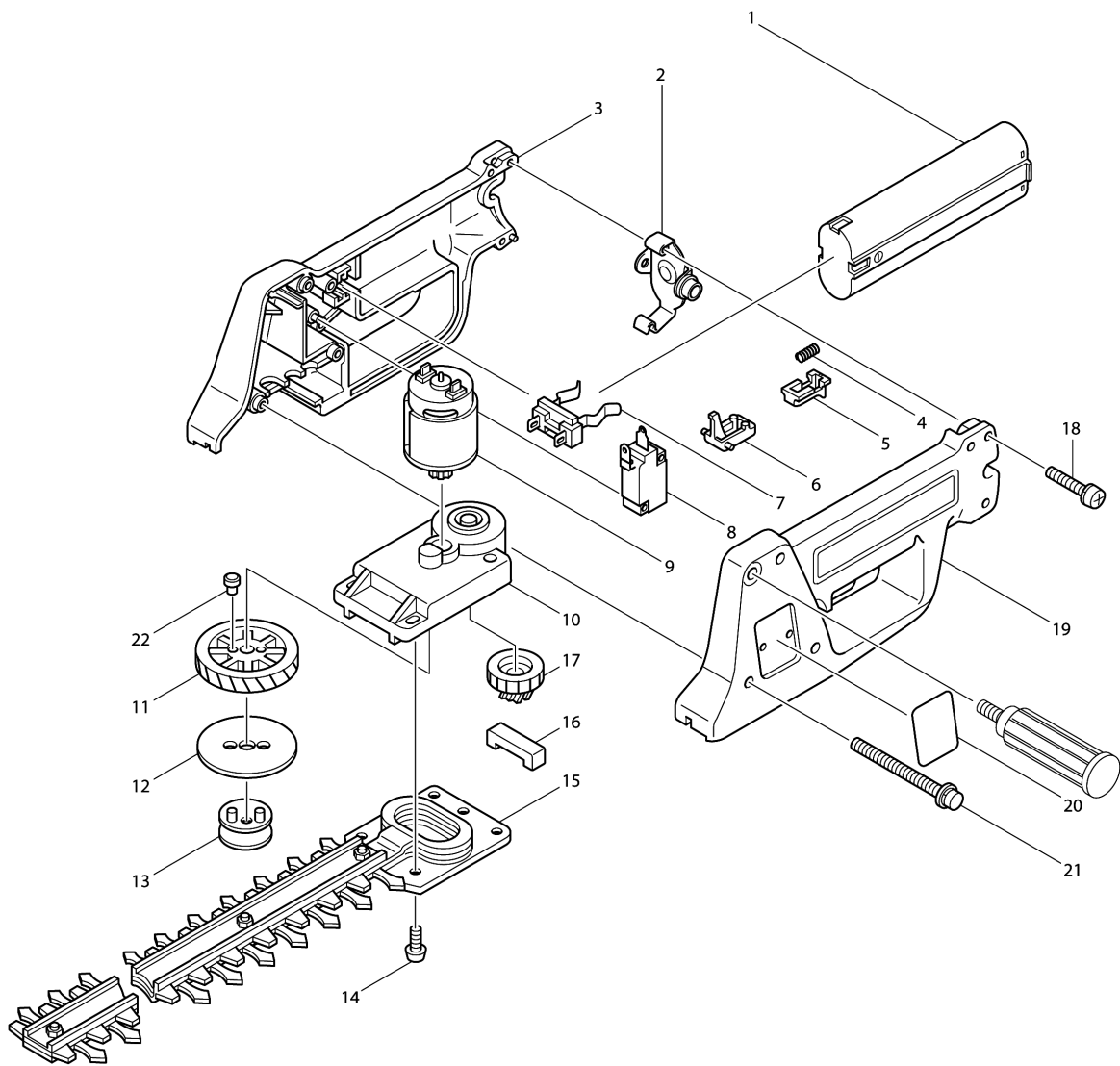


Model No.UH3000D CORDLESS HEDGE TRIMMER 300MM



Model No.UH3000D CORDLESS HEDGE TRIMMER 300MM

| Item | Parts No. | Description | I/C | Qty | New/Old | Opt. 1 | Opt. 2 | Note |
|-------|-----------|------------------------|-----|-----|---------|--------|--------|------|
| 001-1 | 191679-9 | BATTERY 7000 SET | | 1 | | | | |
| 002 | 163157-9 | SET PLATE | | 1 | * | | | |
| 002-1 | 342833-0 | SET PLATE | O | 1 | | | | |
| 003 | 181714-1 | HOUSING SET | | 1 | | | | |
| D10 | | INC.19 | | | | | | |
| 004 | 231390-2 | COMPRESSION SPRING 3 | | 1 | | | | |
| 005-1 | 414169-8 | LOCK-OFF LEVER | | 1 | | | | |
| 006-1 | 414168-0 | SWITCH LEVER | | 1 | | | | |
| 007 | 643909-9 | BATTERY HOLDER | | 1 | | | | |
| 008-1 | 651866-7 | SWITCH V-5130E-092 | | 1 | * | | | |
| 008-2 | 651944-3 | SWITCH DMC-1115-13 | O | 1 | | | | |
| 009 | 629538-2 | DC MOTOR 7.2V | | 1 | | | | |
| C10 | 221922-3 | SPUR GEAR 9 | | 1 | | | | |
| 010 | 410445-8 | GEAR HOUSING | | 1 | | | | |
| 011 | 221736-0 | HELICAL GEAR 52 | | 1 | * | | | |
| 011-1 | 226437-5 | HELICAL GEAR 52 | S | 1 | | | | |
| 012 | 342819-4 | PLATE | | 1 | | | | |
| 013 | 164761-7 | CRANK B2303230907 | | 1 | | | | |
| 014 | 251307-9 | + PAN HEAD SCREW M4X15 | | 4 | | | | |
| 015-2 | JPA122285 | SHEAR BLADE ASS'Y | | 1 | | | | |
| C10 | 257110-6 | RING 4 | | 4 | | | | |
| C20 | 251307-9 | + PAN HEAD SCREW M4X15 | | 4 | | | | |
| C30 | 252083-8 | HEX. LOCK NUT M4-7 | | 4 | | | | |
| C40 | 342821-7 | GUIDE PLATE | | 1 | | | | |
| C50 | 342820-9 | PRESSURE PLATE | | 1 | | | | |
| 016 | 423105-3 | SPONGE SEAL | | 1 | | | | |
| 017-1 | 226803-6 | GEAR 14-34 | | 1 | | | | |
| 018 | 911143-2 | PAN HEAD SCREW M4X22 | | 3 | | | | |
| 019 | 181714-1 | HOUSING SET | | 1 | | | | |
| D10 | | INC.003 | | | | | | |
| 020 | 855141-5 | NAME PLATE UH3000D | | 1 | | | | |
| 021 | 911178-3 | PAN HEAD SCREW M4X50 | | 2 | | | | |
| 022 | 262531-9 | URETHAN SLEEVE 4 | | 2 | | | | |
| 400-1 | 273499-4 | GRIP 34 | | 1 | | | | |
| 401 | 410471-7 | BLADE COVER | | 1 | | | | |
| 402 | 414938-7 | BATTERY COVER | | 1 | | | | |

Please order the parts with part number.

Print Date 4/7/2019

