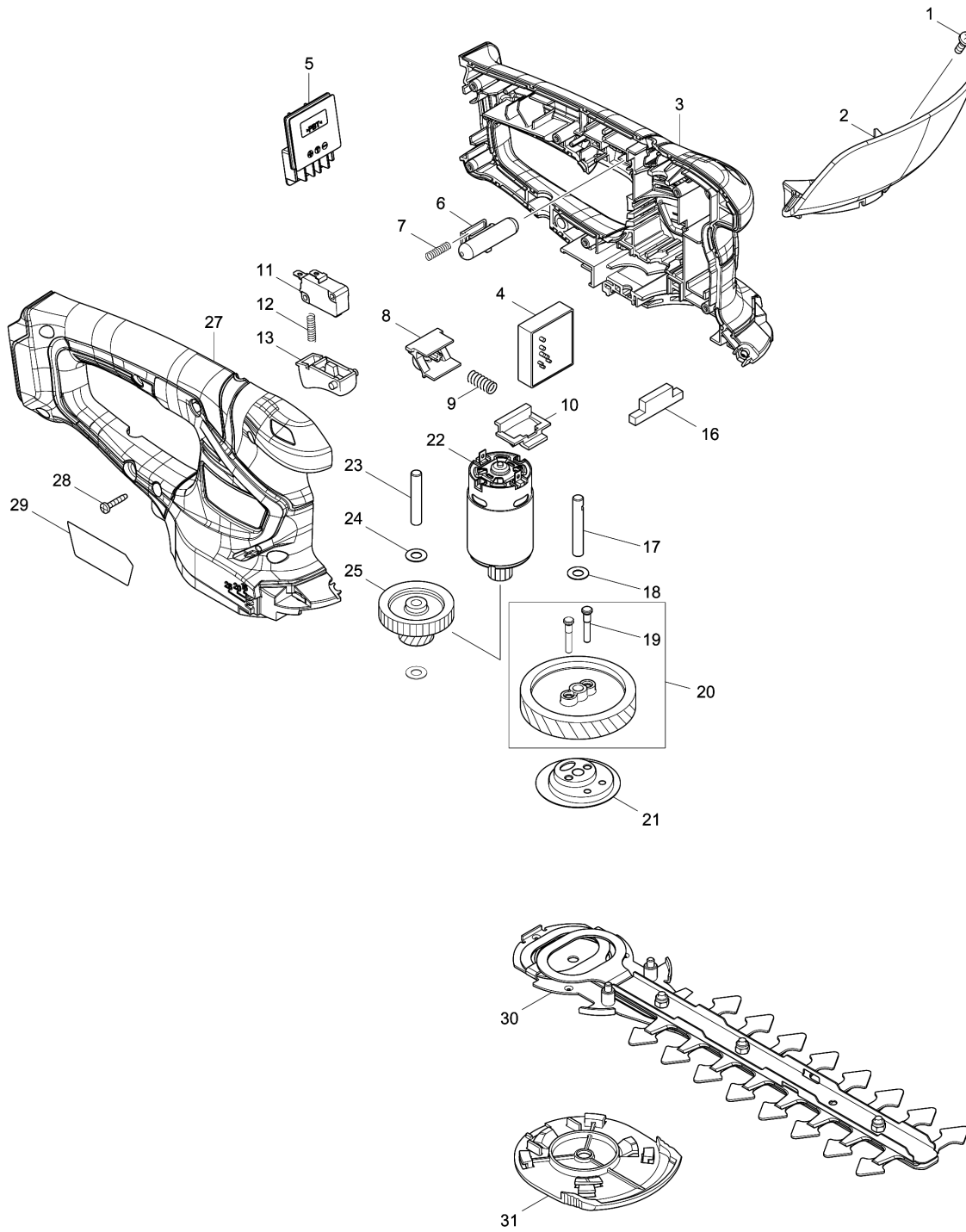


Model No.UH201D 200MM CORDLESS HEDGE TRIMMER



Model No.UH201D 200MM CORDLESS HEDGE TRIMMER

Item	Parts No.	Description	I/C	Qty	New/Old	Opt. 1	Opt. 2	Note
001	915116-7	BINDING HEAD SCREW M4X12		1				
002	144342-3	PROTECTOR COMPLETE		1	*			
C10	819948-3	CAUTION LABEL		1	*			
002-1	140V97-0	PROTECTOR COMPLETE	<	1				
C10	819948-3	CAUTION LABEL		1				
003	183G04-0	HOUSING SET		1				
C10	931102-0	HEX. NUT M4		1				
C20	263002-9	RUBBER PIN 4		2				
C30	346275-0	PLATE		2				
D10		INC. 27						
004	632K11-9	CONTROLLER UNIT		1				
C10	688131-1	LINE FILTER		2				
005	644813-5	TERMINAL		1				
006	452438-9	LOCK OFF BUTTON		1				
007	231473-8	COMPRESSION SPRING 4		1				
008	457534-8	SLIDE PLATE		1				
009	234339-1	COMPRESSION SPRING 6		1				
010	454879-5	LOCK LEVER		1				
011	650744-8	SWITCH D3V-16-3C26		1				
012	231473-8	COMPRESSION SPRING 4		1				
013	417564-1	SWITCH LEVER		1				
016	451814-4	DUST GUARD		1				
017	268254-7	PIN 6		1				
018	253715-0	FLAT WASHER 6		1				
019	268256-3	PIN 4		2				
020	135883-0	HELICAL GEAR 47 ASS'Y		1				
D10		INC. 19						
021	161598-3	CRANK COMPLETE		1				
022	629258-8	DC MOTOR		1				
023	268076-5	PIN 6		1				
024	253715-0	FLAT WASHER 6		2				
025	226831-1	GEAR 12-31		1				
027	183G04-0	HOUSING SET		1				
C10	931102-0	HEX. NUT M4		1				
C20	263002-9	RUBBER PIN 4		2				
C30	346275-0	PLATE		2				
D10		INC. 3						
028	266429-2	TAPPING SCREW 3X16		6				
029	853F87-5	UH201D NAME PLATE		1	*			
029-1	852Y66-4	UH201D NAME PLATE	<	1				
030	198408-1	SHEAR BLADE ASSEMBLY 200 S SET		1				
C10	188369-3	OIL VESSEL SET		1				

Please order the parts with part number.

Print Date 31/3/2020

Model No.UH201D 200MM CORDLESS HEDGE TRIMMER

Item	Parts No.	Description	I/C	Qty	New/Old	Opt. 1	Opt. 2	Note
031	140451-6	UNDER COVER COMPLETE		1				
A01	198401-5	CHIP RECEIVER SET		1				
A02	451816-0	BLADE COVER		1	*			
A02-1	458342-0	BLADE COVER	O	1				
A03A	456128-6	BATTERY COVER		1				
A04A	***DC10WC	DC10WC BATTERY CHARGER		1	*			
D10		COMPO-PARTS			*			
A04-1A	***DC10WD	DC10WD BATTERY CHARGER	<	1				
D10		COMPO-PARTS						
A05A	197394-3	BATTERY BL1020B SET		1	*			
A05-1A	197396-9	BATTERY BL1021B SET	<	1	*			
A05-2A	197396-9	BATTERY BL1021B SET	O	1				
A06A	195267-4	SHEAR BLADE ASSEMBLY SET		1	*			
A06C	195267-4	SHEAR BLADE ASSEMBLY SET		1	*			
A06-1A	195267-4	SHEAR BLADE ASSEMBLY SET	O	1				
A06-1C	195267-4	SHEAR BLADE ASSEMBLY SET	O	1				
A07A	452055-5	BLADE COVER		1				
A07C	452055-5	BLADE COVER		1				
A08A	452198-3	STORAGE CASE		1				
A08C	452198-3	STORAGE CASE		1				
A09A	457426-1	GRASS RECEIVER 160		1				
A09C	457426-1	GRASS RECEIVER 160		1				
E01	812D57-1	SOUND 83DB LABEL		1				

Please order the parts with part number.

Print Date 31/3/2020