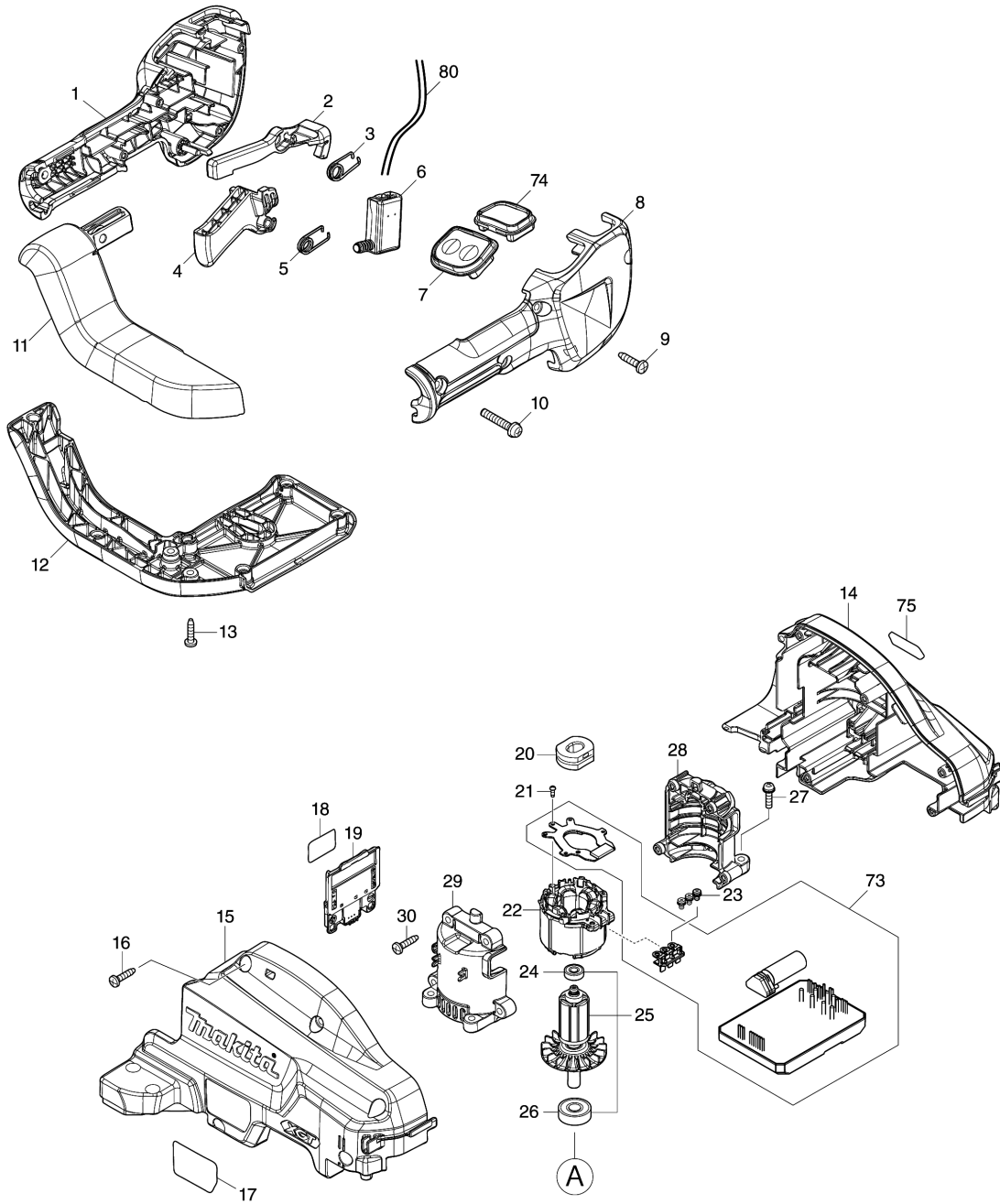
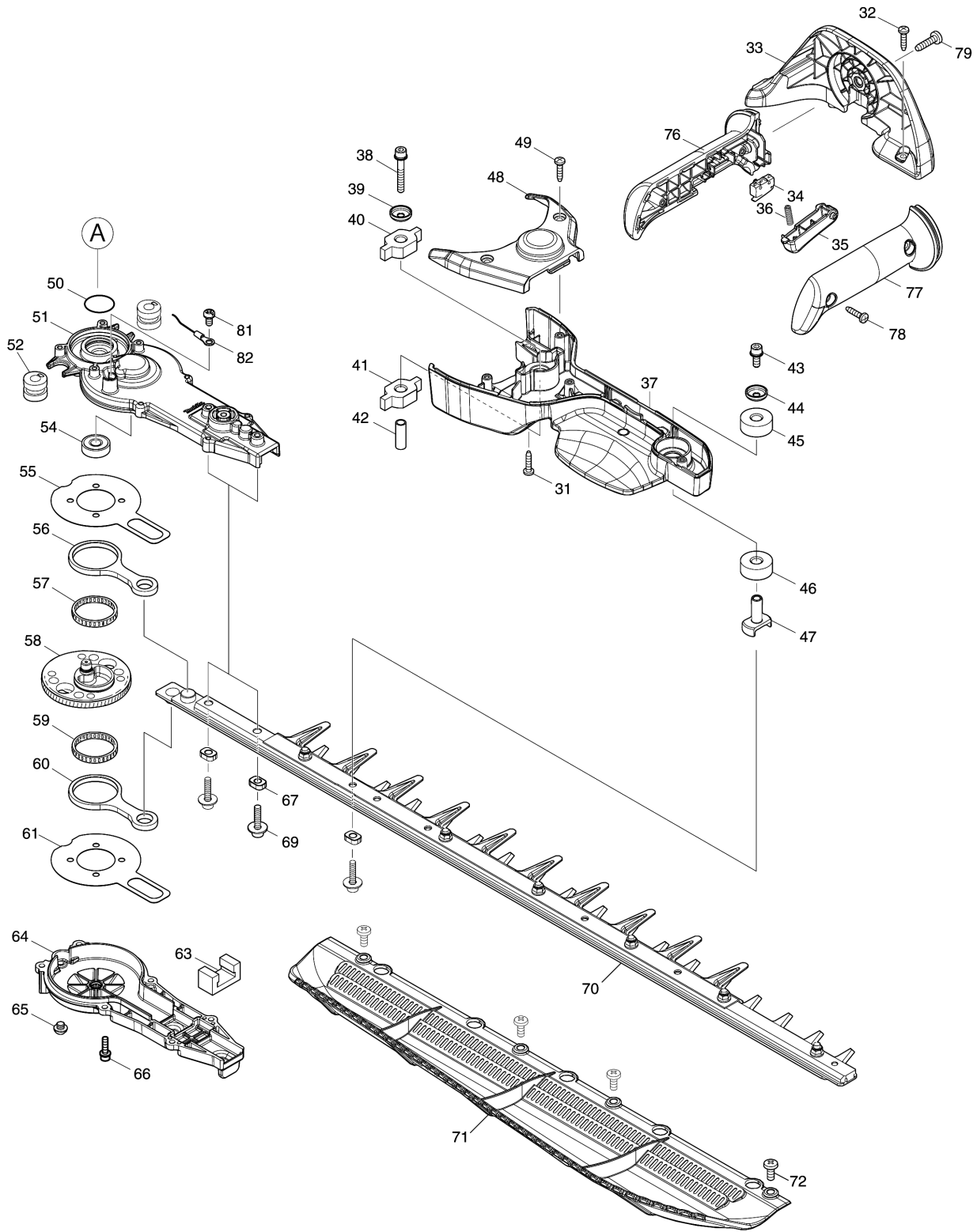


Model No.UH013G 600MM CORDLESS HEDGE TRIMMER



Model No.UH013G 600MM CORDLESS HEDGE TRIMMER



Model No.UH013G 600MM CORDLESS HEDGE TRIMMER

| Item | Parts No. | Description                  | I/C | Qty | New/Old | Opt. 1 | Opt. 2 | Note |
|------|-----------|------------------------------|-----|-----|---------|--------|--------|------|
| 001  | 183U16-7  | GRIP SET                     |     | 1   |         |        |        |      |
| C10  | 252180-0  | HEX. LOCK NUT M5-8           |     | 1   |         |        |        |      |
| D10  |           | INC. 8                       |     |     |         |        |        |      |
| 002  | 455629-1  | LOCK OFF LEVER               |     | 1   |         |        |        |      |
| 003  | 233621-5  | TORSION SPRING 9             |     | 1   |         |        |        |      |
| 004  | 412315-7  | SWITCH LEVER R               |     | 1   |         |        |        |      |
| 005  | 233621-5  | TORSION SPRING 9             |     | 1   |         |        |        |      |
| 006  | 651083-9  | SWITCH C3XA-1PSPM            |     | 1   |         |        |        |      |
| 007  | 141D66-6  | SWITCH CIRCUIT COMPLETE<br>E |     | 1   |         |        |        |      |
| C10  | 8034K3-2  | SWITCH LABEL                 |     | 1   |         |        |        |      |
| 008  | 183U16-7  | GRIP SET                     |     | 1   |         |        |        |      |
| C10  | 252180-0  | HEX. LOCK NUT M5-8           |     | 1   |         |        |        |      |
| D10  |           | INC. 1                       |     |     |         |        |        |      |
| 009  | 266326-2  | TAPPING SCREW 4X18           |     | 4   |         |        |        |      |
| 010  | 911253-5  | PAN HEAD SCREW M5X30         |     | 1   |         |        |        |      |
| 011  | 413B85-3  | GRIP JOINT E                 |     | 1   |         |        |        |      |
| 012  | 413B86-1  | GRIP JOINT COVER E           |     | 1   |         |        |        |      |
| 013  | 266326-2  | TAPPING SCREW 4X18           |     | 8   |         |        |        |      |
| 014  | 183U17-5  | HOUSING SET                  |     | 1   |         |        |        |      |
| C10  | 263005-3  | RUBBER PIN 6                 |     | 2   |         |        |        |      |
| C20  | 424344-8  | DAMPER                       |     | 4   |         |        |        |      |
| D10  |           | INC. 15                      |     |     |         |        |        |      |
| 015  | 183U17-5  | HOUSING SET                  |     | 1   |         |        |        |      |
| C10  | 263005-3  | RUBBER PIN 6                 |     | 2   |         |        |        |      |
| C20  | 424344-8  | DAMPER                       |     | 4   |         |        |        |      |
| D10  |           | INC. 14                      |     |     |         |        |        |      |
| 016  | 266326-2  | TAPPING SCREW 4X18           |     | 5   |         |        |        |      |
| 017  | 8113A3-2  | UH013G NAME PLATE            |     | 1   |         |        |        |      |
| 018  | 8113A9-0  | UH013G SERIAL NO. LABEL      |     | 1   |         |        |        |      |
| 019  | 632P75-3  | TERMINAL UNIT                |     | 1   |         |        |        |      |
| 020  | 422261-6  | RUBBER SLEEVE                |     | 1   |         |        |        |      |
| 021  | 266490-9  | TAPPING SCREW PT 2X6         |     | 3   |         |        |        |      |
| 022  | 629A75-2  | STATOR                       |     | 1   |         |        |        |      |
| 023  | 652069-6  | FLAT HEAD SCREW M3X6         |     | 3   |         |        |        |      |
| 024  | 211157-4  | BALL BEARING 695ZZ           |     | 1   |         |        |        |      |
| 025  | 519693-7  | ROTOR ASSY                   |     | 1   |         |        |        |      |
| D10  |           | INC. 24,26                   |     |     |         |        |        |      |
| 026  | 210005-4  | BALL BEARING 608DDW          |     | 1   |         |        |        |      |
| 027  | 911128-8  | P.H.SCREW M4X16 WITH WR      |     | 4   |         |        |        |      |
| 028  | 183S94-5  | MOTOR HOUSING SET            |     | 1   |         |        |        |      |
| D10  |           | INC. 29                      |     |     |         |        |        |      |
| 029  | 183S94-5  | MOTOR HOUSING SET            |     | 1   |         |        |        |      |

Please order the parts with part number.

Print Date 4/10/2021

Model No.UH013G 600MM CORDLESS HEDGE TRIMMER

| Item | Parts No. | Description                 | I/C | Qty | New/Old | Opt. 1 | Opt. 2 | Note |
|------|-----------|-----------------------------|-----|-----|---------|--------|--------|------|
| D10  |           | INC. 28                     |     |     |         |        |        |      |
| 030  | 266326-2  | TAPPING SCREW 4X18          |     | 4   |         |        |        |      |
| 031  | 266326-2  | TAPPING SCREW 4X18          |     | 6   |         |        |        |      |
| 032  | 266326-2  | TAPPING SCREW 4X18          |     | 2   |         |        |        |      |
| 033  | 413B91-8  | FRONT GRIP RETAINER A       |     | 1   |         |        |        |      |
| 034  | 632T12-1  | SWITCH UNIT                 |     | 1   |         |        |        |      |
| 035  | 413B87-9  | SWITCH LEVER F              |     | 1   |         |        |        |      |
| 036  | 232353-1  | COMPRESSION SPRING 4        |     | 1   |         |        |        |      |
| 037  | 141G33-9  | FRONT GRIP BASE COMPLETE    |     | 1   |         |        |        |      |
| C10  | 8034N8-3  | CAUTION LABEL               |     | 1   |         |        |        |      |
| 038  | 251476-6  | H.S.H.BOLT M5X35 WITH WR    |     | 1   |         |        |        |      |
| 039  | 253544-1  | CUP WASHER 5                |     | 1   |         |        |        |      |
| 040  | 422260-8  | RUBBER SLEEVE 8             |     | 1   |         |        |        |      |
| 041  | 422260-8  | RUBBER SLEEVE 8             |     | 1   |         |        |        |      |
| 042  | 257678-2  | SLEEVE 6                    |     | 1   |         |        |        |      |
| 043  | 922218-2  | H.S.H.BOLT M5X14 WITH WR    |     | 1   |         |        |        |      |
| 044  | 253544-1  | CUP WASHER 5                |     | 1   |         |        |        |      |
| 045  | 422813-3  | RUBBER SLEEVE 8             |     | 1   |         |        |        |      |
| 046  | 422813-3  | RUBBER SLEEVE 8             |     | 1   |         |        |        |      |
| 047  | 327919-1  | CONNECTOR                   |     | 1   |         |        |        |      |
| 048  | 413B95-0  | FRONT GRIP COVER            |     | 1   |         |        |        |      |
| 049  | 266326-2  | TAPPING SCREW 4X18          |     | 2   |         |        |        |      |
| 050  | 213961-7  | O RING 22                   |     | 1   |         |        |        |      |
| 051  | 141J44-2  | GEAR HOUSING COMPLETE       |     | 1   |         |        |        |      |
| C10  | 263002-9  | RUBBER PIN 4                |     | 1   |         |        |        |      |
| C20  | 424344-8  | DAMPER                      |     | 1   |         |        |        |      |
| 052  | 422725-0  | RUBBER SLEEVE 8             |     | 2   |         |        |        |      |
| 054  | 210223-4  | BALL BEARING 608ZZ          |     | 1   |         |        |        |      |
| 055  | 347361-0  | FRICTION PLATE              |     | 1   |         |        |        |      |
| 056  | 347662-6  | CONNECTING ROD              |     | 1   |         |        |        |      |
| 057  | 212229-8  | NEEDLE CAGE 315             |     | 1   |         |        |        |      |
| 058  | 141C40-8  | GEAR COMPLETE               |     | 1   |         |        |        |      |
| 059  | 212229-8  | NEEDLE CAGE 315             |     | 1   |         |        |        |      |
| 060  | 347662-6  | CONNECTING ROD              |     | 1   |         |        |        |      |
| 061  | 347361-0  | FRICTION PLATE              |     | 1   |         |        |        |      |
| 063  | 443159-4  | SEAL                        |     | 1   |         |        |        |      |
| 064  | 141H42-4  | GEAR HOUSING COVER COMPLETE |     | 1   |         |        |        |      |
| 065  | 266559-9  | H.S.BUTTON HEAD BOLT M6X4   |     | 1   |         |        |        |      |
| 066  | 922128-3  | HEX. SOCKET HEAD BOLT M4X16 |     | 6   |         |        |        |      |
| 067  | 310983-9  | SLEEVE 5                    |     | 3   |         |        |        |      |
| 069  | 265A89-3  | H.S.H.BOLT M5X25 WITH WR    |     | 3   |         |        |        |      |

Please order the parts with part number.

Print Date 4/10/2021

Model No.UH013G 600MM CORDLESS HEDGE TRIMMER

| Item | Parts No. | Description                 | I/C | Qty | New/Old | Opt. 1 | Opt. 2 | Note |
|------|-----------|-----------------------------|-----|-----|---------|--------|--------|------|
| 070  | 191Y03-6  | SHEAR BLADE 600E SET        |     | 1   |         |        |        |      |
| C10  | 188605-7  | OIL VESSEL SET              |     | 1   |         |        |        |      |
| C20  | 310983-9  | SLEEVE 5                    |     | 3   |         |        |        |      |
| 071  | 191D33-1  | CHIP RECEIVER 600E SET      |     | 1   |         |        |        |      |
| 072  | 265B57-2  | BINDING HEAD SCREW M5X12    |     | 4   |         |        |        |      |
| 073  | 620G86-6  | CONTROLLER                  |     | 1   |         |        |        |      |
| C10  | 688163-8  | LINE FILTER                 |     | 1   |         |        |        |      |
| 074  | 140W63-3  | INDICATION CIRCUIT COMPLETE |     | 1   |         |        |        |      |
| 075  | 8025F3-0  | XGT LOGO LABEL              |     | 1   |         |        |        |      |
| 076  | 183U18-3  | FRONT GRIP SET              |     | 1   |         |        |        |      |
| D10  |           | INC. 77                     |     |     |         |        |        |      |
| 077  | 183U18-3  | FRONT GRIP SET              |     | 1   |         |        |        |      |
| D10  |           | INC. 76                     |     |     |         |        |        |      |
| 078  | 266326-2  | TAPPING SCREW 4X18          |     | 2   |         |        |        |      |
| 079  | 266420-0  | TAPPING SCREW 5X20          |     | 1   |         |        |        |      |
| 080  | 638A24-8  | LEAD UNIT                   |     | 1   |         |        |        |      |
| 081  | 652014-1  | PAN HEAD SCREW M4X8         |     | 1   |         |        |        |      |
| 082  | 638A25-6  | LEAD UNIT                   |     | 1   |         |        |        |      |
| A01  | 413B98-4  | BLADE COVER 600             |     | 1   |         |        |        |      |
| A02B | ***DC40RA | DC40RA FAST CHARGER         |     | 1   |         |        |        |      |
| D10  |           | COMPO-PARTS                 |     |     |         |        |        |      |
| A03B | 191B26-6  | BATTERY BL4040 SET          |     | 1   |         |        |        |      |
| E01  | 891003-3  | SOUND 93DB LABEL            |     | 1   |         |        |        |      |

Please order the parts with part number.

Print Date 4/10/2021