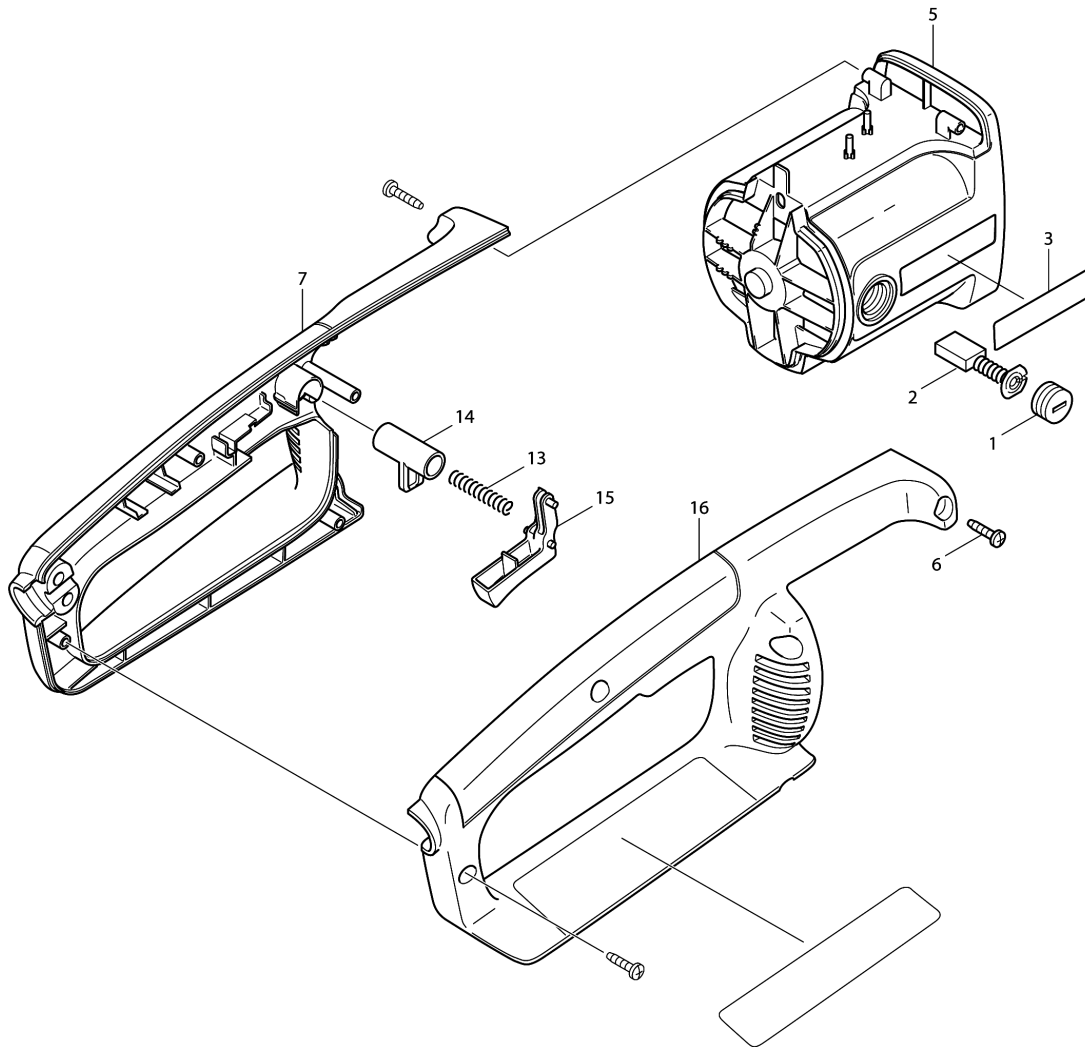
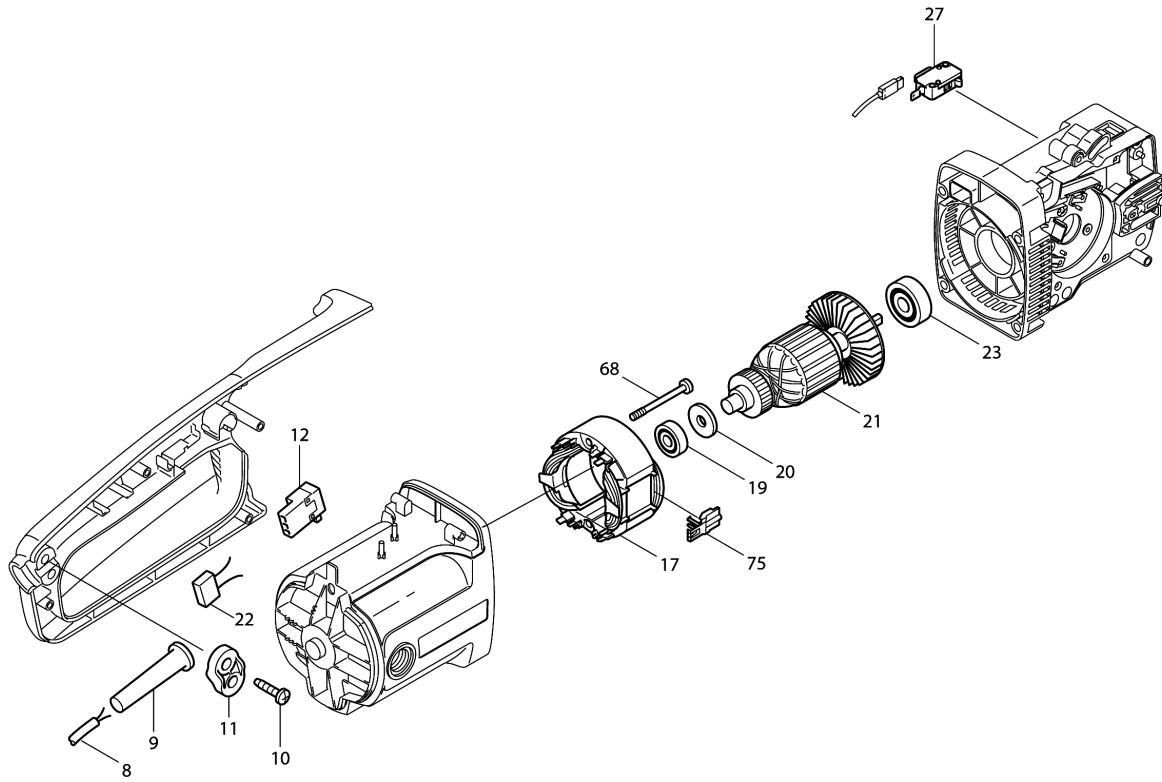


Model No.UC4001A CHAIN SAW



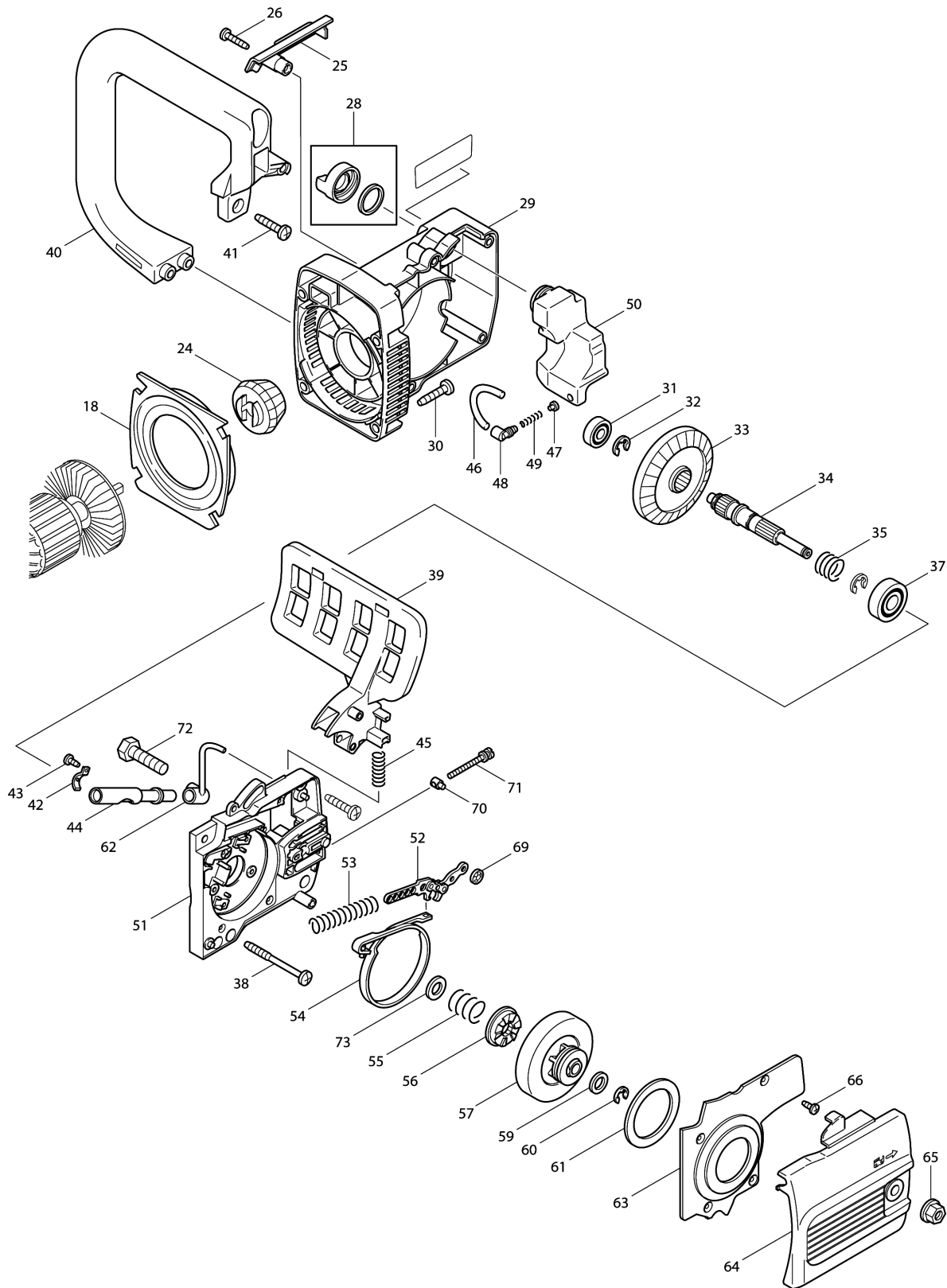


Model No.UC4001A CHAIN SAW



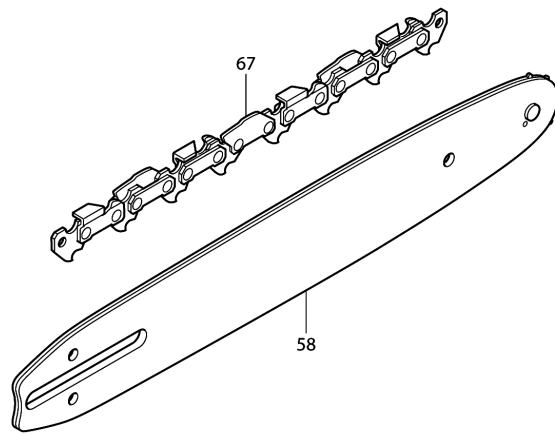


### Model No. UC4001A CHAIN SAW





Model No.UC4001A CHAIN SAW







## Model No.UC4001A CHAIN SAW

Item	Parts No.	Description	I/C	Qty	New/Old	Opt. 1	Opt. 2	Note
001	970802420	COVERF.CARBON BRUSH		2				
002	957802410	CARBON BRUSH(2PCS.)		2				
003	980114348	LABEL		1				
004	970311380	CABLE,BRACK		1				
005	225111660	MOTOR CASE		1				
006	913540185	SCREW 4X18		6				
007	225310660	HANDLE CPL.		1				
C10	980114400	LABEL		1				
D10		INC. 16						
008	970102110	CABLE WITH PLUG		1				
009	225152010	BREAK PROTECTION		1				
010	913540185	SCREW 4X18		1				
011	225152050	TRACTIN RELIEF,YELLOW		1				
012	975001190	PUSH BUTTON		1				
013	225145010	SPRING		1				
014	225144010	LOCKING BUTTON		1				
015	225271010	POWER SWITCH		1				
016	225310660	HANDLE CPL.		1				
C10	980114400	LABEL		1				
D10		INC. 7						
017	970802270	STATOR ASSY. 220-240V		1				
C10	970311310	CABLE,BLACK		1				
C20	970311330	CABLE,YELLOW		1				
C30	970311370	CABLE,WHITE		2				
018	225118010	AIR GUIDE PLATE		1				
019	960102094	BALL BEARING 629ZZR		1				
020	970802610	DISTANCE PIECE		1				
021	970802350	ROTOR ASSY 220-240V		1				
D10		INC. 19,20,23						
022	970109810	CAPACITOR		1				
023	960103126	BALL BEARING 6301RRS		1				
024	225222010	PINION		1				
025	225212010	COVER		1				
026	913540185	SCREW 4X18		1				
027	970001200	SWITCH		1				
028	205114201	TANK PLUG CPL.		1	*			
C10	963100080	GASKET		1	*			
028-1	205114204	TANK PLUG CPL.	O	1				
C10	963100080	GASKET		1				
029	225211021	GEAR HOUSING LEFT		1				
030	913550255	SCREW 5X25		4				
031	960101084	BALL BEARING 608ZZ		1				

Please order the parts with part number.

Print Date 4/7/2019

## Model No.UC4001A CHAIN SAW

Item	Parts No.	Description	I/C	Qty	New/Old	Opt. 1	Opt. 2	Note
032	930110120	SAFETY WASHER		2				
033	225221010	GEAR WHEEL CPL.		1				
034	225221020	SHAFT		1				
035	021245040	WORM		1				
037	960102124	BALL BEARING		1				
038	913550555	SCREW M5X55		2				
039	225213110	HAND GARD CPL.		1	*			
039-1	225213111	HAND GARD CPL.	<	1				
040	225310020	TUBULAR HANDLE		1				
041	913550255	SCREW 5X25		4				
042	203245001	HOLDER FOR OIL PUMP		1	*			
042-1	203245002	HOLDER FOR OIL PUMP	O	1				
043	915135100	TAPPING SCREW 3.5X9.5		1				
044	021245003	OIL PUMP CPL.		1				
045	225213060	SPRING FOR HAND GUARD		1				
046	965452387	TUBE		1				
047	021245100	PLUG		1				
048	225243010	CONNECTION FOR TANK		1				
049	021245060	PRESSURE SPRING		1				
050	225244010	OIL TANK		1	*			
051	225211011	GEAR HOUSING RIGHT		1				
052	028213532	BRAKE LINK PLATE COMPLETE		1				
053	028213521	SPRING		1				
054	225213050	BRAKE SPRING		1				
055	225184010	PRESSURE SPRING		1				
056	225229010	CRAWCOUPLING		1				
057	225223110	CLUTCH DRUM CPL.		1	*			
057-1	225223111	CLUTCH DRUM CPL.	O	1				
058	442040661	GUIDE BAR STD 16"3/8".050" M		1				
059	221229220	WASHER		1				
060	930106070	SAFETY WASHER		1				
061	965527070	GASKET		1				
062	225242010	TUBE		1				
063	225282011	COVER PLATE		1				
064	225213100	SPROCKET GUARD		1				
065	923208004	HEX. FLANGE NUT M8(BAR NUT)		1				
066	915835100	SCREW		4				
067	528092656	SAW CHAIN 16"		1				
068	913550555	SCREW M5X55		2				
069	930304030	CLAMP WASHER		1				
070	001213042	TENSION SLIDE		1				

Please order the parts with part number.

Print Date 4/7/2019

## Model No.UC4001A CHAIN SAW

Item	Parts No.	Description	I/C	Qty	New/Old	Opt. 1	Opt. 2	Note
071	901505354	SCREW M5X35		1				
072	900208304	HEXAGONAL SCREW M8X30		1				
073	225189010	WASHER		1				
075	970801860	CLAMP		1				

Please order the parts with part number.

Print Date 4/7/2019