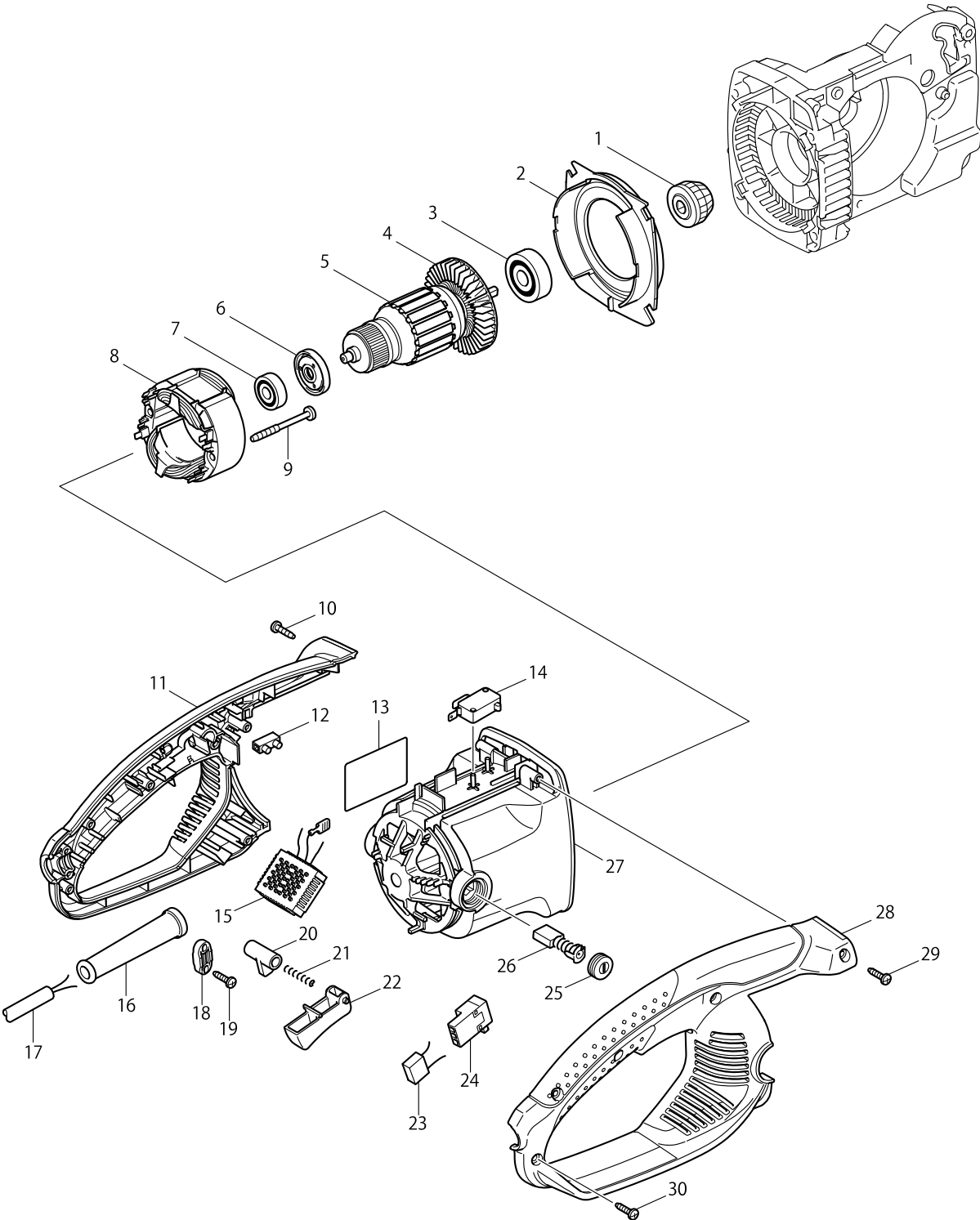
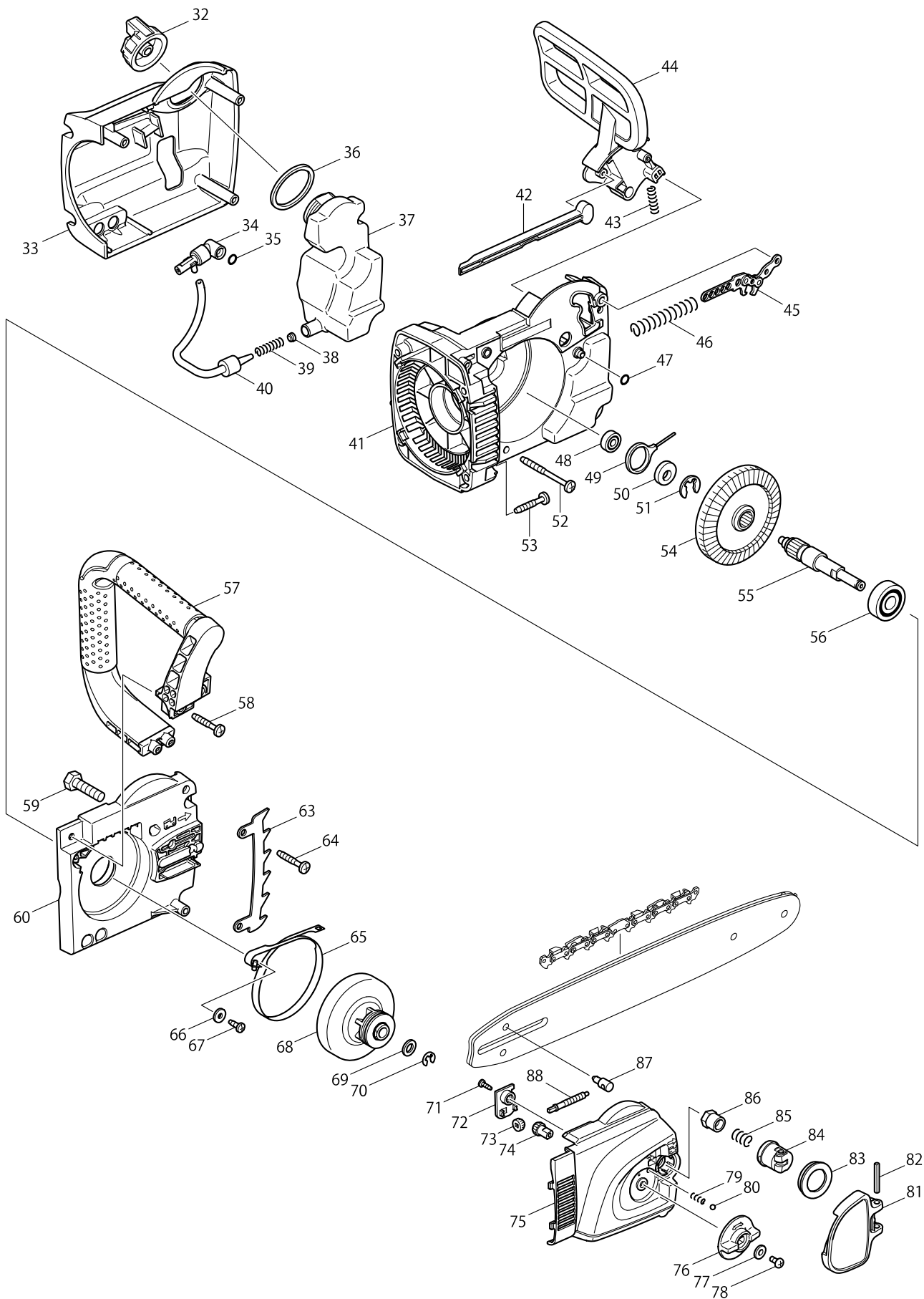


Mallinnumero UC3530A CHAIN SAW 350MM



Mallinnumero UC3530A CHAIN SAW 350MM



Mallinumero UC3530A CHAIN SAW 350MM

Sivu 1 / 3

Nimike	Osanumero	Kuvaus	I/C nu	MÄÄRÄ	N/O	Opt. 1	Opt. 2	HUOMAUTUS
001	226743-8	STRAIGHT BEVEL GEAR 14		1				
002	419410-4	BAFFLE PLATE		1				
003	211111-8	BALL BEARING 6301LLB		1				
004	240001-8	FAN 80		1				
005	616969-4	ARMATURE 240V		1				
006	681666-1	INSULATION WASHER		1	*			
006-1	681666-1	INSULATION WASHER	O	1				
007	211057-8	BALL BEARING 629ZZ		1				
008	639530-0	FIELD 240V		1				
009	266095-5	TAPPING SCREW 5X55		2				
010	265995-6	TAPPING SCREW 4X18		1				
011	188818-0	HANDLE SET		1				
C10	810198-3	CAUTION LABEL		1				
D10		INC. 28						
012	654532-5	TERMINAL BLOCK 1P		1	*			
012-1	654475-1	TERMINAL BLOCK	<	1				
013	867109-9	UC3530A NAME PLATE		1				
014	650577-1	SWITCH SD-006-BB2AA-AA		1				
015	631719-6	CONTROLLER		1				
016	682574-9	CORD GUARD 10-90		1				
017	665883-1	POWER SUPPLY CORD 1.0-2-5.0		1				
018	687124-5	STRAIN RELIEF		1				
019	265995-6	TAPPING SCREW 4X18		2				
020	416178-3	LOCK-OFF BUTTON		1				
021	233173-6	COMPRESSION SPRING 4		1				
022	419411-2	SWITCH LEVER		1				
023	645239-4	NOISE SUPPRESSOR		1				
024	651923-1	SWITCH TG70B		1				
025	643650-4	BRUSH HOLDER CAP 6.5-13.5		2	*			
025-1	643650-4	BRUSH HOLDER CAP 6.5-13.5	O	2				
026	181044-0	CARBON BRUSH CB-153		1				
027	154867-9	MOTOR HOUSING COMPLETE		1				
C10	643653-8	BRUSH HOLDER 6.5-13.5		2				
028	188818-0	HANDLE SET		1				
C10	810198-3	CAUTION LABEL		1				
D10		INC. 11						
029	265995-6	TAPPING SCREW 4X18		1				
030	265995-6	TAPPING SCREW 4X18		5				
032	154870-0	TANK CAP COMPLETE		1				
033	419412-0	GEAR HOUSING COVER		1				
034	140089-7	OIL PUMP COMPLETE		1	*			
034-1	142002-1	OIL PUMP COMPLETE	<	1				
035	213039-6	O RING 6		1				
036	421959-2	SPONGE SEAL		1				
037	419407-3	OIL TANK		1				
038	416274-7	CAP		1				
039	231975-4	SPRING		1				
040	421958-4	OIL TUBE		1				

Mallinumero UC3530A CHAIN SAW 350MM

Sivu 2 / 3

Nimike	Osanumero	Kuvaus	I/C nu	MÄÄRÄ	N/O	Opt. 1	Opt. 2	HUOMAUTUS
041	419408-1	GEAR HOUSING		1				
042	419413-8	ROD		1				
043	233174-4	COMPRESSION SPRING 6		1				
044	451130-4	FRONT HAND GUARD		1				
045	158044-5	LINK PLATE COMPLETE		1				
046	234005-0	COMPRESSION SPRING 9		1				
047	213039-6	O RING 6		1				
048	211012-0	BALL BEARING 606ZZ		1				
049	450230-7	CRANK		1				
050	417405-1	CAM		1				
051	259034-2	RETAINING RING E TYPE 10		1				
052	266095-5	TAPPING SCREW 5X55		2	*			
052-1	266044-2	TAPPING SCREW 5X60	S	2				
053	266173-1	TAPPING SCREW 5X30		4				
054	226741-2	STRAIGHT BEVEL GEAR 43		1				
055	324662-3	SPINDLE		1				
056	211107-9	BALL BEARING 6201ZZ		1				
057	419409-9	FRONT HANDLE		1	*			
057-1	455487-5	FRONT HANDLE	S	1				
058	266173-1	TAPPING SCREW 5X30		2				
059	921452-1	HEX. BOLT M8X30		1				
060	318013-0	BEARING HOUSING		1				
063	345651-5	SPIKE BUMPER		1				
064	266173-1	TAPPING SCREW 5X30		2				
065	168426-3	BRAKE BAND		1				
066	267195-4	FLAT WASHER 4		1				
067	266026-4	TAPPING SCREW BIND CT 4X12		1				
068	125331-7	BRAKE DRUM ASSEMBLY		1	*			
068-1	123886-6	BRAKE DRUM ASSEMBLY	O	1				
069	253215-0	FLAT WASHER 8		1				
070	259033-4	RETAINING RING E TYPE 6		1				
071	266007-8	TAPPING SCREW BIND PT 3X10		1				
072	419241-1	COVER		1				
073	227496-2	STRAIGHT BEVEL GEAR 14		1				
074	227495-4	STRAIGHT BEVEL GEAR 14		1				
075	154869-5	SPROCKET COVER COMPLETE		1				
076	419233-0	DIAL 40		1				
077	253874-0	FLAT WASHER 4		1				
078	915106-0	BINDING HEAD SCREW M4X8		1				
079	233033-2	COMPRESSION SPRING 4		1				
080	216008-6	STEEL BALL 4		1				
081	154763-1	LEVER COMPLETE		1				
082	951122-8	SPRING PIN 4-28		1				
083	419271-2	CUP WASHER 20		1	*			
083-1	453061-3	CUP WASHER 20	O	1				
084	317977-5	LEVER HOLDER		1				
085	231025-5	COMPRESSION SPRING 8		1				
086	252168-0	HEX. NUT M8-13		1				

