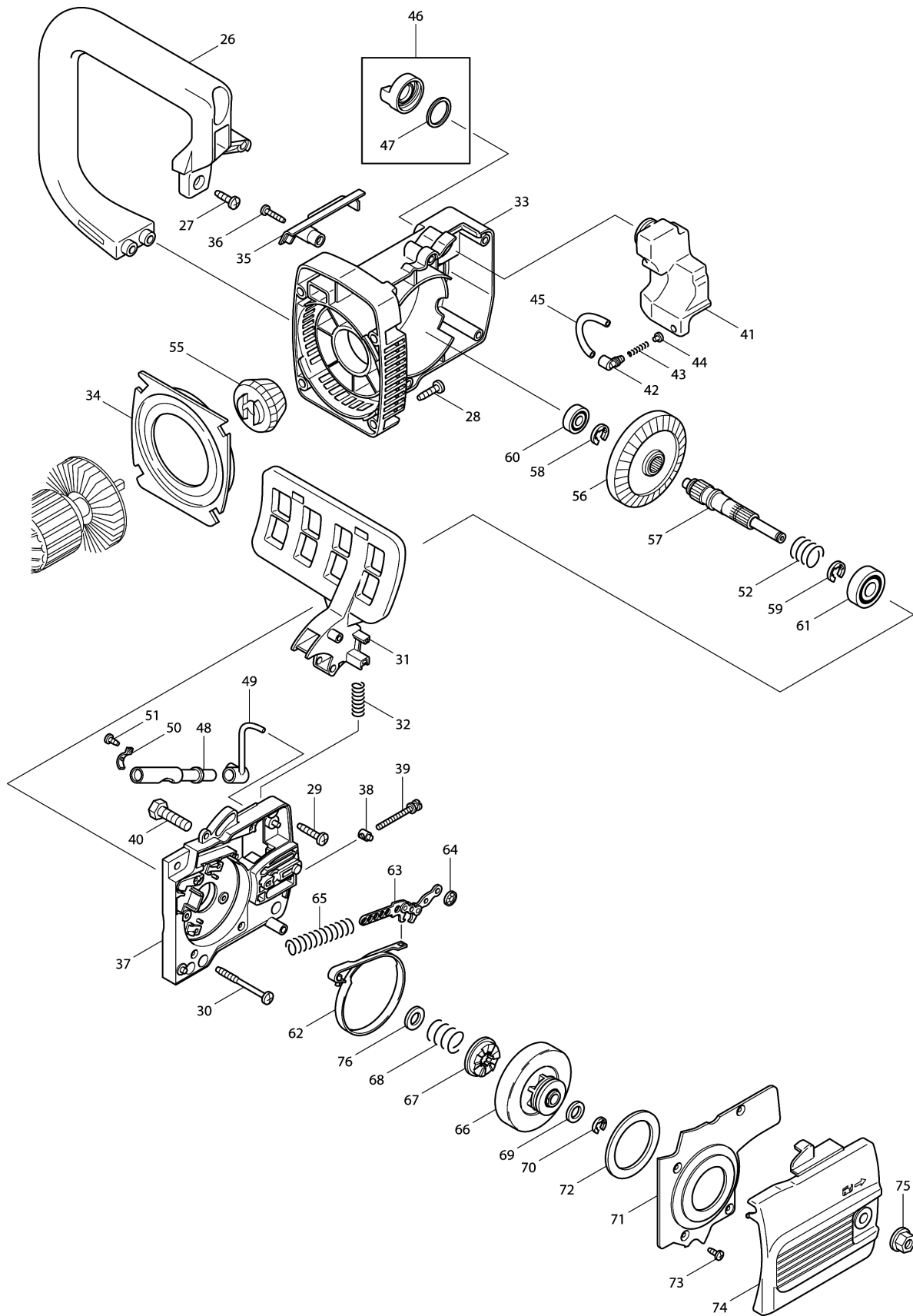






Model No. UC3000A CHAIN SAW





## Model No.UC3000A CHAIN SAW

Item	Parts No.	Description	I/C	Qty	New/Old	Opt. 1	Opt. 2	Note
001	225310660	HANDLE CPL.		1				
D10		INC. 2						
002	980114181	LABEL		1				
003	225144010	LOCKING BUTTON		1				
004	225145010	SPRING		1				
005	225271010	POWER SWITCH		1				
006	913540185	SCREW 4X18		6				
007	225111660	MOTOR CASE		1				
008	980114348	LABEL		1				
009	957802410	CARBON BRUSH(2PCS.)		2				
010	970802420	COVERF.CARBON BRUSH		2				
011	970802270	STATOR ASSY. 220-240V		1				
012	970802350	ROTOR ASSY 220-240V		1				
013	960103126	BALL BEARING 6301RRS		1				
014	960102094	BALL BEARING 629ZZR		1				
015	970802610	DISTANCE PIECE		1				
016	913550555	SCREW M5X55		2				
018	970001200	SWITCH		1				
019	975001190	PUSH BUTTON		1				
020	970109810	CAPACITOR		1				
021	970801860	CLAMP		1				
022	225152050	TRACTIN RELIEF,YELLOW		1				
023	913540185	SCREW 4X18		2				
024	225152010	BREAK PROTECTION		1				
025	970102110	CABLE WITH PLUG		1				
026	225310020	TUBULAR HANDLE		1				
027	913550255	SCREW 5X25		2				
028	913550255	SCREW 5X25		4				
029	913550255	SCREW 5X25		2				
030	913550555	SCREW M5X55		2				
031	225213110	HAND GARD CPL.		1	*			
031-1	225213111	HAND GARD CPL.	<	1				
032	225213060	SPRING FOR HAND GUARD		1				
033	225211021	GEAR HOUSING LEFT		1				
034	225118010	AIR GUIDE PLATE		1				
035	225212010	COVER		1				
036	913540185	SCREW 4X18		1				
037	225211011	GEAR HOUSING RIGHT		1				
038	001213042	TENSION SLIDE		1				
039	901505354	SCREW M5X35		1				
040	900208304	HEXAGONAL SCREW M8X30		1				
041	225244010	OIL TANK		1	*			

Please order the parts with part number.

Print Date 4/7/2019

## Model No.UC3000A CHAIN SAW

Item	Parts No.	Description	I/C	Qty	New/Old	Opt. 1	Opt. 2	Note
042	225243010	CONNECTION FOR TANK		1				
043	021245060	PRESSURE SPRING		1				
044	021245100	PLUG		1				
045	965452387	TUBE		1				
046	205114201	TANK PLUG CPL.		1	*			
D10		INC. 47			*			
046-1	205114204	TANK PLUG CPL.	O	1				
D10		INC. 47						
047	963100080	GASKET		1				
048	021245003	OIL PUMP CPL.		1				
049	225242010	TUBE		1				
050	203245001	HOLDER FOR OIL PUMP		1	*			
050-1	203245002	HOLDER FOR OIL PUMP	O	1				
051	915135100	TAPPING SCREW 3.5X9.5		1				
052	021245040	WORM		1				
055	225222010	PINION		1				
056	225221010	GEAR WHEEL CPL.		1				
057	225221020	SHAFT		1				
058	930110120	SAFETY WASHER		1				
059	930110120	SAFETY WASHER		1				
060	960101084	BALL BEARING 608ZZ		1				
061	960102124	BALL BEARING		1				
062	225213050	BRAKE SPRING		1				
063	028213532	BRAKE LINK PLATE COMPLETE		1				
064	930304030	CLAMP WASHER		1				
065	028213521	SPRING		1				
066	225223110	CLUTCH DRUM CPL.		1	*			
066-1	225223111	CLUTCH DRUM CPL.	O	1				
067	225229010	CRAWCOUPLING		1				
068	225184010	PRESSURE SPRING		1				
069	221229220	WASHER		1				
070	930106070	SAFETY WASHER		1				
071	225282011	COVER PLATE		1				
072	965527070	GASKET		1				
073	915835100	SCREW		1				
074	225213100	SPROCKET GUARD		1				
075	923208004	HEX. FLANGE NUT M8(BAR NUT)		1				
076	225189010	WASHER		1				
077	442030661	GUIDE BAR STD 12"3/8".050" M		1				
078	528092646	SAW CHAIN 12"		1				
A01	952100633	CHAIN PROT.COVER 12"-16"		1				

Please order the parts with part number.

Print Date 4/7/2019

## Model No.UC3000A CHAIN SAW

Item	Parts No.	Description	I/C	Qty	New/Old	Opt. 1	Opt. 2	Note
A02	941713001	UNIVERSAL WRENCH		1				

Please order the parts with part number.

Print Date 4/7/2019