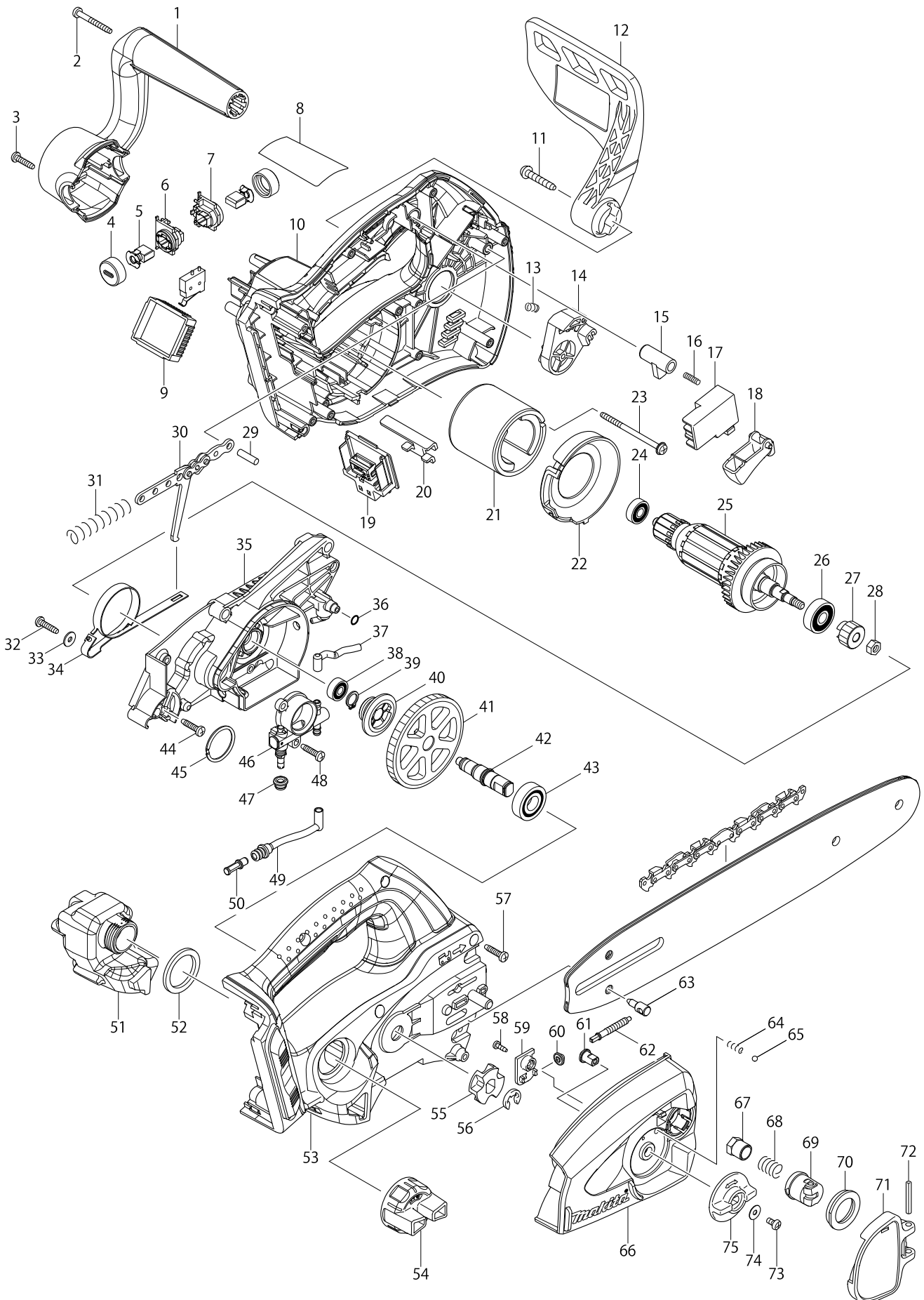


Model No. UC250D 250MM CORDLESS CHAIN SAW



2009/12
UC250D

Model No. UC250D 250MM CORDLESS CHAIN SAW

Item	Parts No.	Description	I/C	Qty	N/O	Opt. 1	Opt. 2	Note
001	451972-6	FRONT HANDLE		1				
002	266053-1	TAPPING SCREW 4X35		1				
003	265995-6	TAPPING SCREW 4X18		2				
004	643941-3	BRUSH HOLDER CAP		2				
005	194928-3	CARBON BRUSH CB-442		1				
006	643813-2	BRUSH HOLDER		1	*			
006-1	643891-2	BRUSH HOLDER	S	1				
007	643853-0	BRUSH HOLDER		1	*			
007-1	643892-0	BRUSH HOLDER	S	1				
008	869535-8	UC250D NAME PLATE		1				
009	631971-6	CONTROLLER		1				
010	188910-2	HOUSING SET		1	*			
C10	263005-3	RUBBER PIN 6		2	*			
D10		INC. 53			*			
010-1	187378-9	HOUSING SET	<	1				
C10	263005-3	RUBBER PIN 6		2				
D10		INC. 53						
011	266173-1	TAPPING SCREW 5X30		1				
012	140494-8	FRONT HAND GUARD COMPLETE		1	*			
C10	819515-4	CAUTION LABEL		1	*			
012-1	141677-3	FRONT HAND GUARD COMPLETE	<	1				
C10	800A01-2	CAUTION LABEL		1				
013	231298-0	COMPRESSION SPRING 6		1				
014	451973-4	HAND GUARD SUPPORT		1				
015	416178-3	LOCK-OFF BUTTON		1				
016	233173-6	COMPRESSION SPRING 4		1				
017	650631-1	SWITCH		1				
018	450212-9	SWITCH LEVER		1				
019	643849-1	TERMINAL		1				
020	346039-2	SUPPORT PLATE		1				
021	638571-3	YOKE UNIT		1				
022	451970-0	BAFFLE PLATE		1				
023	266292-3	TAPPING SCREW 4X65		2				
024	210062-2	BALL BEARING 607ZZ		1				
025	519268-2	ARMATURE ASS'Y 36V		1				
D10		INC. 24,26						
026	211092-6	BALL BEARING 629DDW		1				
027	227252-0	SPUR GEAR 16		1				
028	252186-8	HEX. NUT M6		1				
029	256123-4	PIN 5		1				
030	158047-9	LINK PLATE COMPLETE		1				
031	233175-2	COMPRESSION SPRING 9		1				
032	265995-6	TAPPING SCREW 4X18		1				
033	267195-4	FLAT WASHER 4		1				
034	168321-7	BRAKE BAND		1				
035	140488-3	BEARING HOUSING COMPLETE		1				
036	213039-6	O RING 6		1				
037	422058-3	CONNECTOR		1				

Model No. UC250D 250MM CORDLESS CHAIN SAW

Item	Parts No.	Description	I/C	Qty	N/O	Opt. 1	Opt. 2	Note
038	210028-2	BALL BEARING 606ZZ		1				
039	961006-2	RETAINING RING S-10		1				
040	221422-3	WORM GEAR		1				
041	227251-2	SPUR GEAR 73		1				
042	325931-5	SPINDLE		1				
043	210109-2	BALL BEARING 6001DDW		1				
044	265995-6	TAPPING SCREW 4X18		4				
045	257311-6	RING 28		1				
046	168393-2	OIL PUMP		1				
047	421875-8	GROMMET		1				
048	265995-6	TAPPING SCREW 4X18		2				
049	422057-5	CONNECTOR		1				
050	450437-5	FILTER		1				
051	451974-2	OIL TANK		1				
052	424326-0	SPONGE SHEET		1				
053	188910-2	HOUSING SET		1	*			
C10	263005-3	RUBBER PIN 6		2	*			
D10		INC. 10			*			
053-1	187378-9	HOUSING SET	<	1				
C10	263005-3	RUBBER PIN 6		2				
D10		INC. 10						
054	158810-0	TANK CAP COMPLETE		1				
055	221526-1	SPROCKET		1				
056	961014-3	STOP RING E-8		1				
057	265995-6	TAPPING SCREW 4X18		9				
058	266007-8	TAPPING SCREW BIND PT 3X10		1				
059	419241-1	COVER		1				
060	227496-2	STRAIGHT BEVEL GEAR 14		1				
061	227495-4	STRAIGHT BEVEL GEAR 14		1				
062	324620-9	ADJUST SCREW		1				
063	324621-7	ADJUST PIN		1				
064	233033-2	COMPRESSION SPRING 4		1				
065	216008-6	STEEL BALL 4		1				
066	140486-7	SPROCKET COVER COMPLETE		1				
067	252168-0	HEX. NUT M8-13		1				
068	231025-5	COMPRESSION SPRING 8		1				
069	317977-5	LEVER HOLDER		1				
070	419271-2	CUP WASHER 20		1				
071	154763-1	LEVER COMPLETE		1				
C10	816853-5	INDICATION LABEL		1				
072	951122-8	SPRING PIN 4-28		1				
073	915106-0	BINDING HEAD SCREW M4X8		1				
074	253874-0	FLAT WASHER 4		1				
075	419233-0	DIAL 40		1				
A01	182229-1	OIL SUPPLY 100CC		1				
A02	168408-5	GUIDE BAR 10		1				
A03	452093-7	GUIDE BAR CASE		1				
A04	194099-6	SAW CHAIN SET		1	*			

Model No. UC250D 250MM CORDLESS CHAIN SAW

Item	Parts No.	Description	I/C	Qty	N/O	Opt. 1	Opt. 2	Note
A04-1	196205-9	SAW CHAIN SET	O	1				
A05	744003-1	FILE 4		1				
A06G	***DC36WA	DC36WA BATTERY CHARGER		1				
A06H	***DC36WA	DC36WA BATTERY CHARGER		1				
A07G	195410-5	BATTERY BL3622A SET		2	*			
A07H	195410-5	BATTERY BL3622A SET		1	*			
A07-1G	195410-5	BATTERY BL3622A SET	O	2				
A07-1H	195410-5	BATTERY BL3622A SET	O	1				
A08G	451153-2	BATTERY COVER		1				
E01	688131-1	LINE FILTER	S	1				
E02	688172-7	LINE FILTER	S	1				

Please order the parts with a part number.

Print Date 20/05/2015