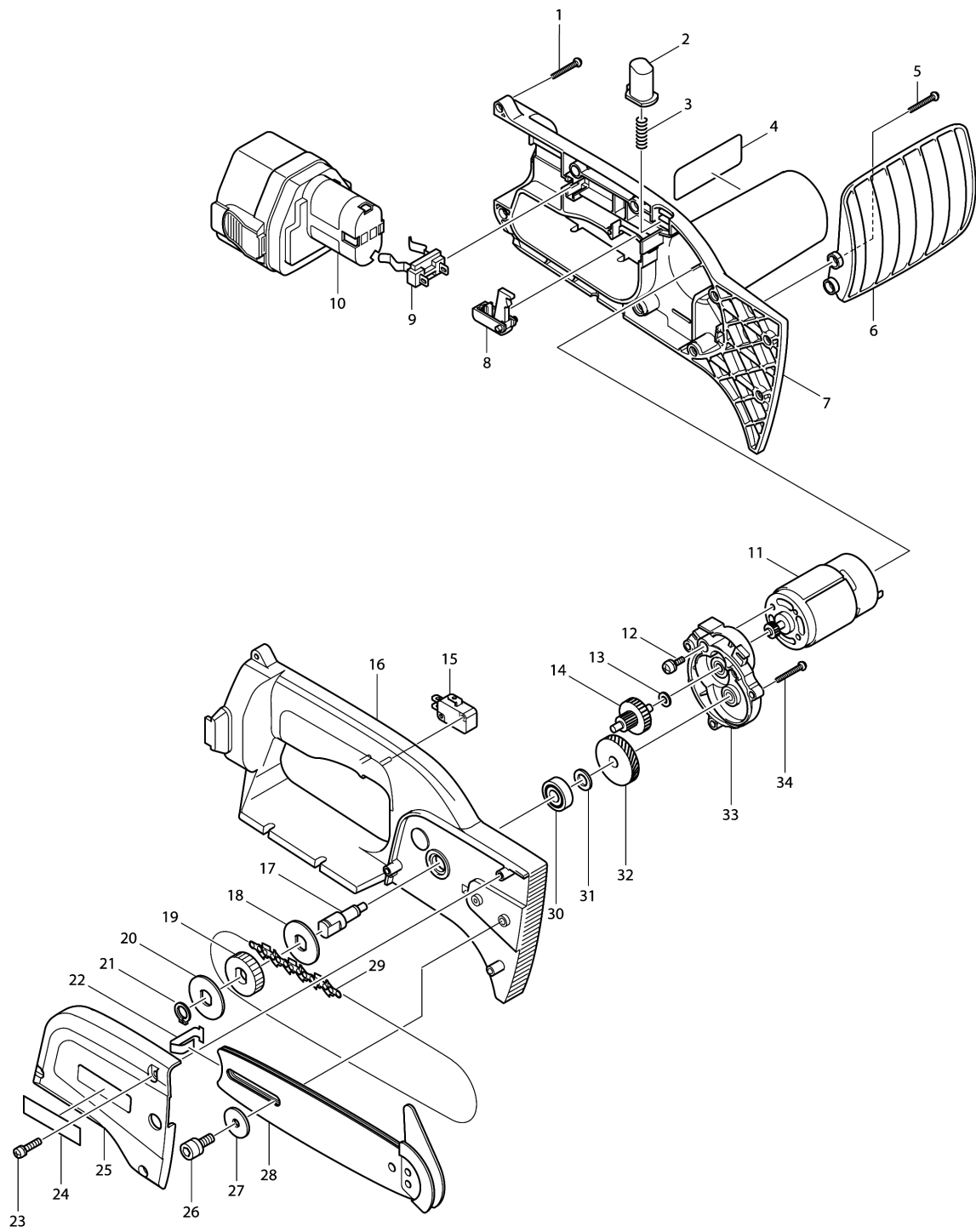


Model No.UC120D CORDLESS CHAIN SAW 115MM



Model No.UC120D CORDLESS CHAIN SAW 115MM

Item	Parts No.	Description	I/C	Qty	New/Old	Opt. 1	Opt. 2	Note
001	265995-6	TAPPING SCREW 4X18		9				
002	416308-6	LOCK OFF BUTTON		1				
003	233194-8	COMPRESSION SPRING 4		1				
004	858719-3	NAME PLATE UC120D		1	*			
004-1	858994-1	UC120D NAME PLATE	<	1				
005	265995-6	TAPPING SCREW 4X18		2				
006A_	152678-6	FRONT HAND GUARD COMPLETE		1				
C10	817383-9	CAUTION LABEL		1				
007	182923-5	HOUSING SET		1				
D10		INC. 16						
008-1	416840-0	SWITCH LEVER	X	1				
009-1	643918-8	BATTERY HOLDER	O	1				
010C_	193100-4	NI-MH(2.6A) BATTERY 1234 SET		1				
011	629715-6	DC MOTOR		1				
C10	221882-9	SPUR GEAR 15		1				
012	911113-1	PAN HEAD SCREW M4X10 WITH WR		2				
013	253811-4	FLAT WASHER 5		1				
014	226131-9	GEAR COMPLETE 9-46		1				
015	651942-7	SWITCH V15-1A6-IN		1				
016	182923-5	HOUSING SET		1				
D10		INC. 7						
017	322954-4	SPINDLE		1				
018	267729-3	LOCK WASHER 12		1				
019	221504-1	SPROCKET 9		1				
020	267729-3	LOCK WASHER 12		1				
021	961052-5	RETAINING RING S-12		1				
022	232170-9	LEAF SPRING		1				
023	911148-2	PAN HEAD SCREW M4X25		3				
024	819063-3	MAKITA LABEL		1				
025	416306-0	SPROCKET COVER		1				
026	922321-9	HEX. SOCKET HEAD BOLT M6X16		1				
027	267173-4	FLAT WASHER 6		1				
028	158045-3	GUIDE BAR COMPLETE		1	*			
028-1	158476-6	GUIDE BAR COMPLETE	O	1				
C10	168450-6	GUIDE BAR		1				
029	791284-8	CHAIN BLADE		1				
030	211031-6	BALL BEARING 608LLB		1				
031	253215-0	FLAT WASHER 8		1				
032	226478-1	HELICAL GEAR 44		1				
033	159982-4	GEAR HOUSING COMPLETE		1				

Please order the parts with part number.

Print Date 4/7/2019

Model No. UC120D CORDLESS CHAIN SAW 115MM

Item	Parts No.	Description	I/C	Qty	New/Old	Opt. 1	Opt. 2	Note
034	265995-6	TAPPING SCREW 4X18		3				
035	252157-5	SQUARE NUT M6		1				
A01	182229-1	OIL SUPPLY 100CC		1	*			
A01-1	199897-3	OIL VESSEL SET	<	1				
A02	414938-7	BATTERY COVER		1				
A03	416311-7	GUIDE BAR CASE		1				
A04	744003-1	FILE 4		1				
A05	783203-8	HEX. WRENCH 5		1				
A06	824491-9	PLASTIC CARRYING CASE		1				
C11	417059-4	LATCH	X	2				
E01	414938-7	BATTERY COVER		1				
E02	688114-1	LINE FILTER		1	*			
E04	193100-4	NI-MH(2.6A) BATTERY 1234 SET		1				

Please order the parts with part number.

Print Date 4/7/2019