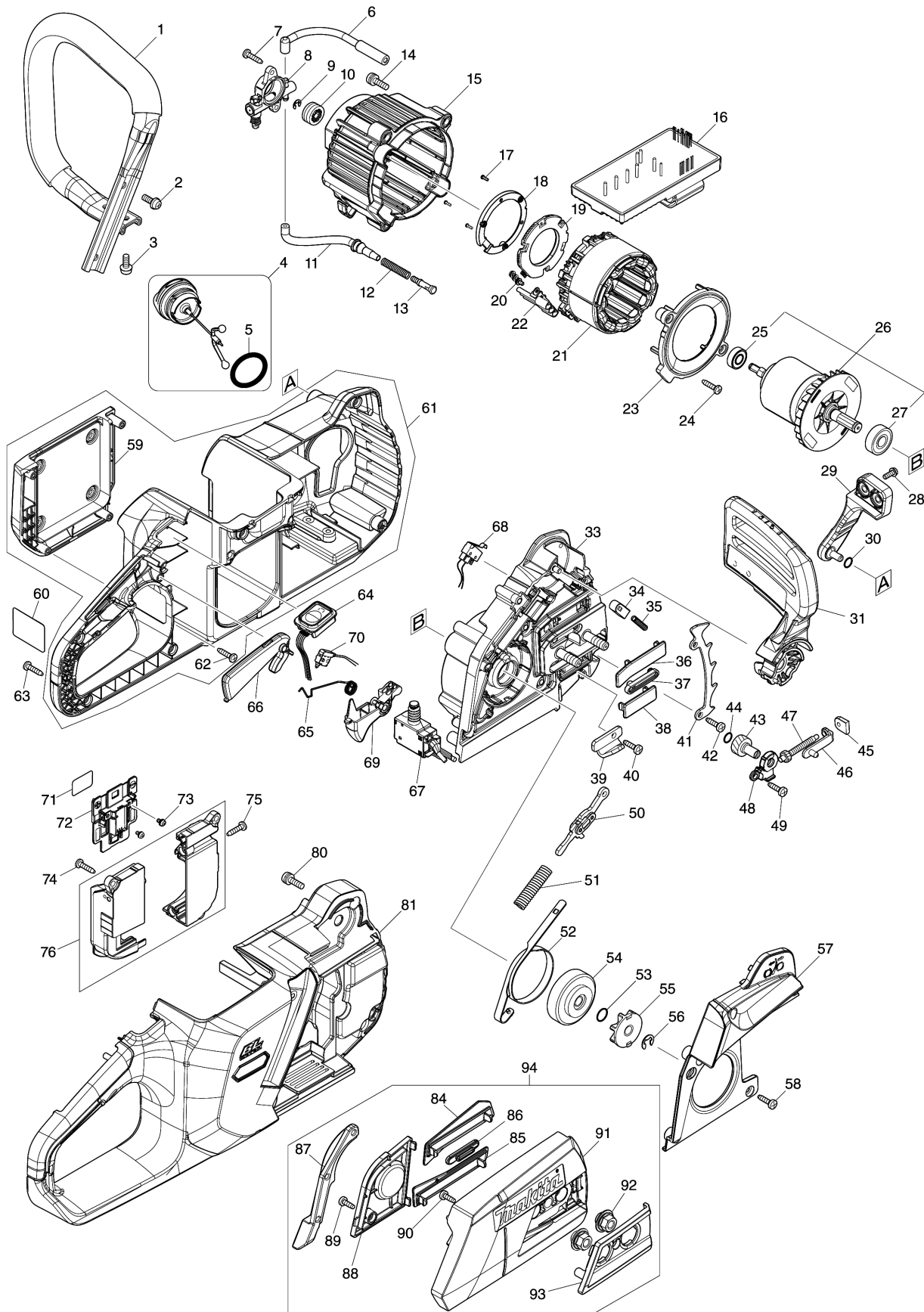


Model No.UC013G 450MM CORDLESS CHAIN SAW



Model No.UC013G 450MM CORDLESS CHAIN SAW

| Item | Parts No. | Description | I/C | Qty | New/Old | Opt. 1 | Opt. 2 | Note |
|------|-----------|------------------------------|-----|-----|---------|--------|--------|------|
| 001 | 327932-9 | FRONT HANDLE | | 1 | | | | |
| 002 | 911218-7 | PAN HEAD SCREW M5X14 | | 2 | | | | |
| 003 | 911218-7 | PAN HEAD SCREW M5X14 | | 2 | | | | |
| 004 | 122A77-2 | TANK CAP ASSEMBLY | | 1 | | | | |
| D10 | | INC. 5 | | | | | | |
| 005 | 213080-9 | O RING 29.5 | | 1 | | | | |
| 006 | 422835-3 | OIL TUBE 3-117 | | 1 | | | | |
| 007 | 266326-2 | TAPPING SCREW 4X18 | | 2 | | | | |
| 008 | 142857-4 | OIL PUMP COMPLETE | | 1 | | | | |
| 009 | 961011-9 | STOP RING E-4 | | 1 | | | | |
| 010 | 226884-0 | WORM GEAR | | 1 | | | | |
| 011 | 422836-1 | OIL TUBE 3-108 | | 1 | | | | |
| 012 | 231975-4 | SPRING | | 1 | | | | |
| 013 | 452666-6 | NIPPLE | | 1 | | | | |
| 014 | 911228-4 | PAN HEAD SCREW M5X18 | | 3 | | | | |
| 015 | 413C89-1 | MOTOR HOUSING | | 1 | | | | |
| 016 | 620H71-5 | CONTROLLER | | 1 | | | | |
| 017 | 266490-9 | TAPPING SCREW PT 2X6 | | 3 | | | | |
| 018 | 687B69-9 | STOPPER | | 1 | | | | |
| 019 | 620H75-7 | CONTROLLER B | | 1 | | | | |
| 020 | 652031-1 | PAN HEAD SCREW M3X6 | | 3 | | | | |
| 021 | 629B00-9 | STATOR | | 1 | | | | |
| 022 | 632T19-7 | LEAD UNIT | | 1 | | | | |
| 023 | 413C90-6 | BAFFLE PLATE | | 1 | | | | |
| 024 | 266326-2 | TAPPING SCREW 4X18 | | 2 | | | | |
| 025 | 210016-9 | BALL BEARING 698ZZ | | 1 | | | | |
| 026 | 519732-3 | ROTOR ASS'Y | | 1 | | | | |
| D10 | | INC. 25,27 | | | | | | |
| 027 | 210059-1 | BALL BEARING 6000DDW | | 1 | | | | |
| 028 | 911118-1 | PAN HEAD SCREW M4X12 | | 2 | | | | |
| 029 | 413C92-2 | FRONT HAND GUARD RETAINER | | 1 | | | | |
| 030 | 213594-8 | O RING 7 | | 1 | | | | |
| 031 | 141J69-6 | FRONT HAND GUARD COMPLETE | | 1 | | | | |
| C10 | 8050E6-6 | CAUTION LABEL | | 1 | | | | |
| 033 | 136609-3 | HOUSING BASE ASSEMBLY | | 1 | | | | |
| C10 | 263002-9 | RUBBER PIN 4 | | 1 | | | | |
| 034 | 313398-9 | HAND GUARD GUIDE | | 1 | | | | |
| 035 | 234210-9 | COMPRESSION SPRING 3 | | 1 | | | | |
| 036 | 413D07-5 | GUARD A | | 1 | | | | |
| 037 | 422834-5 | GROMMET A | | 1 | | | | |
| 038 | 413D08-3 | GUARD B | | 1 | | | | |

Model No.UC013G 450MM CORDLESS CHAIN SAW

| Item | Parts No. | Description | I/C | Qty | New/Old | Opt. 1 | Opt. 2 | Note |
|------|-----------|-------------------------|-----|-----|---------|--------|--------|------|
| 039 | 347924-2 | CHAIN CATCHER | | 1 | | | | |
| 040 | 266034-5 | TAPPING SCREW CT 4X16 | | 1 | | | | |
| 041 | 347925-0 | SPIKE BUMPER | | 1 | | | | |
| 042 | 266034-5 | TAPPING SCREW CT 4X16 | | 1 | | | | |
| 043 | 227744-9 | HELICAL GEAR 18 | | 1 | | | | |
| 044 | 213594-8 | O RING 7 | | 1 | | | | |
| 045 | 452668-2 | CLAMP SCREW BEDDING | | 1 | | | | |
| 046 | 347923-4 | TENSION SLIDE | | 1 | | | | |
| 047 | 227743-1 | HELICAL GEAR 11 | | 1 | | | | |
| 048 | 413D06-7 | GEAR COVER | | 1 | | | | |
| 049 | 266034-5 | TAPPING SCREW CT 4X16 | | 1 | | | | |
| 050 | 141E60-4 | LINK PLATE COMPLETE | | 1 | | | | |
| 051 | 232452-9 | COMPRESSION SPRING 7 | | 1 | | | | |
| 052 | 347922-6 | BRAKE BAND COMPLETE | | 1 | | | | |
| 053 | 213060-5 | O RING 10 | | 1 | | | | |
| 054 | 162979-4 | BRAKE DRUM | | 1 | | | | |
| 055 | 191V91-5 | SPROCKET 7 SET | | 1 | | | | |
| 056 | 961013-5 | STOP RING E-7 | | 1 | | | | |
| 057 | 413C95-6 | BRAKE COVER | | 1 | | | | |
| 058 | 266034-5 | TAPPING SCREW CT 4X16 | | 6 | | | | |
| 059 | 413C88-3 | BATTERY COVER | | 1 | | | | |
| 060 | 8117J7-1 | UC013G NAME PLATE | | 1 | | | | |
| 061 | 136689-9 | HOUSING L ASSEMBLY | | 1 | | | | |
| D10 | | INC. 59,62 | | | | | | |
| 062 | 266326-2 | TAPPING SCREW 4X18 | | 4 | | | | |
| 063 | 266326-2 | TAPPING SCREW 4X18 | | 9 | | | | |
| 064 | 620J22-0 | SWITCH CIRCUIT COMPLETE | | 1 | | | | |
| C10 | 810D46-0 | SWITCH LABEL | | 1 | | | | |
| 065 | 232733-1 | TORSION SPRING 10 | | 1 | | | | |
| 066 | 413C94-8 | CATCH LEVER | | 1 | | | | |
| 067 | 650024-2 | SWITCH C3JR-4B-PAND4-1 | | 1 | | | | |
| 068 | 632T50-3 | SWITCH UNIT | | 1 | | | | |
| 069 | 413C93-0 | SWITCH LEVER | | 1 | | | | |
| 070 | 632L49-0 | SWITCH UNIT | | 1 | | | | |
| 071 | 8117K1-0 | UC013G SERIAL NO. LABEL | | 1 | | | | |
| 072 | 632T07-4 | TERMINAL UNIT | | 1 | | | | |
| 073 | 652031-1 | PAN HEAD SCREW M3X6 | | 2 | | | | |
| 074 | 266326-2 | TAPPING SCREW 4X18 | | 3 | | | | |
| 075 | 266326-2 | TAPPING SCREW 4X18 | | 2 | | | | |
| 076 | 183V16-3 | TERMINAL BOX SET | | 1 | | | | |
| C10 | 263005-3 | RUBBER PIN 6 | | 2 | | | | |
| 080 | 911228-4 | PAN HEAD SCREW M5X18 | | 4 | | | | |

Model No.UC013G 450MM CORDLESS CHAIN SAW

| Item | Parts No. | Description | I/C | Qty | New/Old | Opt. 1 | Opt. 2 | Note |
|------|-----------|---------------------|-----|-----|---------|--------|--------|------|
| 081 | 136674-2 | HOUSING R ASSEMBLY | | 1 | | | | |
| C10 | 8025F3-0 | XGT LOGO LABEL | | 1 | | | | |
| 084 | 413D09-1 | GUARD C | | 1 | | | | |
| 085 | 413D10-6 | GUARD D | | 1 | | | | |
| 086 | 422833-7 | GROMMET | | 1 | | | | |
| 087 | 422832-9 | CHIP GUIDE | | 1 | | | | |
| 088 | 413C98-0 | INNER COVER | | 1 | | | | |
| 089 | 266427-6 | TAPPING SCREW 4X12 | | 1 | | | | |
| 090 | 266427-6 | TAPPING SCREW 4X12 | | 1 | | | | |
| 091 | 413C96-4 | SPROCKET COVER | | 1 | | | | |
| 092 | 162493-0 | FLANGE NUT COMPLETE | | 2 | | | | |
| 093 | 413C97-2 | NUT COVER | | 1 | | | | |
| 094 | 183V86-2 | SPROCKET COVER SET | | 1 | | | | |
| D10 | | INC. 84-93 | | | | | | |
| A01 | 191X03-0 | GUIDE BAR 18 SET | | 1 | | | | |
| A02 | 419242-9 | CHAIN COVER | | 1 | | | | |
| A03 | 199897-3 | OIL VESSEL SET | | 1 | | | | |
| A04 | 191X04-8 | SAW CHAIN 18 SET | | 1 | | | | |
| A05 | 782023-7 | WRENCH 13-16 | | 1 | | | | |
| A07B | 412393-7 | BATTERY COVER | | 1 | | | | |
| A08B | ***DC40RA | DC40RA FAST CHARGER | | 1 | | | | |
| D10 | | COMPO-PARTS | | | | | | |
| A09B | 191L47-8 | BATTERY BL4050F SET | | 1 | | | | |
| E01 | 8050E9-0 | SOUND LABEL | | 1 | | | | |

Please order the parts with part number.

Print Date 17/1/2022