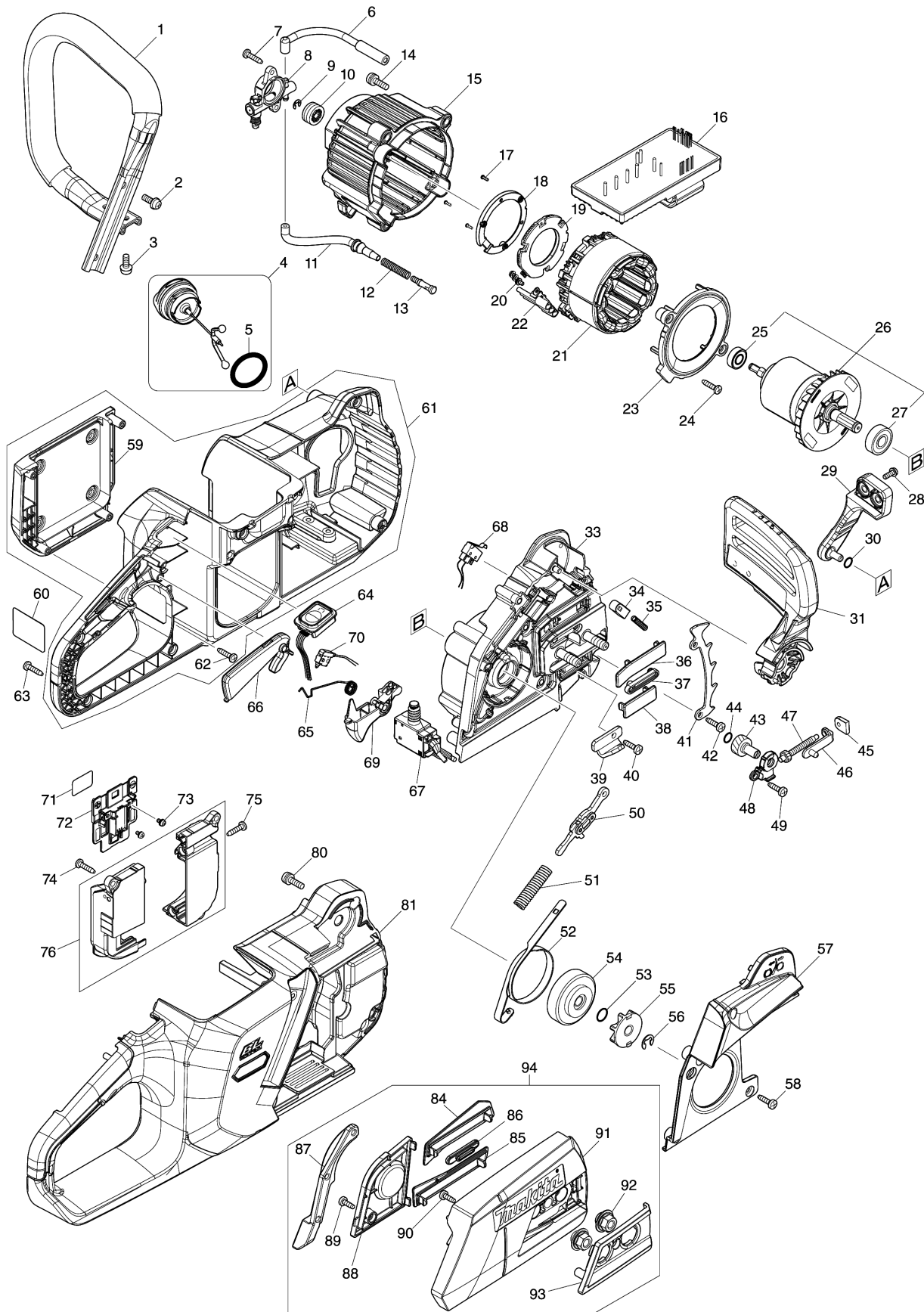


Model No.UC012G 400MM CORDLESS CHAIN SAW



Model No.UC012G 400MM CORDLESS CHAIN SAW

Item	Parts No.	Description	I/C	Qty	New/Old	Opt. 1	Opt. 2	Note
001	327932-9	FRONT HANDLE		1				
002	911218-7	PAN HEAD SCREW M5X14		2				
003	911218-7	PAN HEAD SCREW M5X14		2				
004	122A77-2	TANK CAP ASSEMBLY		1				
D10		INC. 5						
005	213080-9	O RING 29.5		1				
006	422835-3	OIL TUBE 3-117		1				
007	266326-2	TAPPING SCREW 4X18		2				
008	142857-4	OIL PUMP COMPLETE		1				
009	961011-9	STOP RING E-4		1				
010	226884-0	WORM GEAR		1				
011	422836-1	OIL TUBE 3-108		1				
012	231975-4	SPRING		1				
013	452666-6	NIPPLE		1				
014	911228-4	PAN HEAD SCREW M5X18		3				
015	413C89-1	MOTOR HOUSING		1				
016	620H71-5	CONTROLLER		1				
017	266490-9	TAPPING SCREW PT 2X6		3				
018	687B69-9	STOPPER		1				
019	620H75-7	CONTROLLER B		1				
020	652031-1	PAN HEAD SCREW M3X6		3				
021	629B00-9	STATOR		1				
022	632T19-7	LEAD UNIT		1				
023	413C90-6	BAFFLE PLATE		1				
024	266326-2	TAPPING SCREW 4X18		2				
025	210016-9	BALL BEARING 698ZZ		1				
026	519732-3	ROTOR ASS'Y		1				
D10		INC. 25,27						
027	210059-1	BALL BEARING 6000DDW		1				
028	911118-1	PAN HEAD SCREW M4X12		2				
029	413C92-2	FRONT HAND GUARD RETAINER		1				
030	213594-8	O RING 7		1				
031	141J69-6	FRONT HAND GUARD COMPLETE		1				
C10	8050E6-6	CAUTION LABEL		1				
033	136609-3	HOUSING BASE ASSEMBLY		1				
C10	263002-9	RUBBER PIN 4		1				
034	313398-9	HAND GUARD GUIDE		1				
035	234210-9	COMPRESSION SPRING 3		1				
036	413D07-5	GUARD A		1				
037	422834-5	GROMMET A		1				
038	413D08-3	GUARD B		1				

Model No.UC012G 400MM CORDLESS CHAIN SAW

Item	Parts No.	Description	I/C	Qty	New/Old	Opt. 1	Opt. 2	Note
039	347924-2	CHAIN CATCHER		1				
040	266034-5	TAPPING SCREW CT 4X16		1				
041	347925-0	SPIKE BUMPER		1				
042	266034-5	TAPPING SCREW CT 4X16		1				
043	227744-9	HELICAL GEAR 18		1				
044	213594-8	O RING 7		1				
045	452668-2	CLAMP SCREW BEDDING		1				
046	347923-4	TENSION SLIDE		1				
047	227743-1	HELICAL GEAR 11		1				
048	413D06-7	GEAR COVER		1				
049	266034-5	TAPPING SCREW CT 4X16		1				
050	141E60-4	LINK PLATE COMPLETE		1				
051	232452-9	COMPRESSION SPRING 7		1				
052	347922-6	BRAKE BAND COMPLETE		1				
053	213060-5	O RING 10		1				
054	162979-4	BRAKE DRUM		1				
055	191V91-5	SPROCKET 7 SET		1				
056	961013-5	STOP RING E-7		1				
057	413C95-6	BRAKE COVER		1				
058	266034-5	TAPPING SCREW CT 4X16		6				
059	413C88-3	BATTERY COVER		1				
060	8117H1-9	UC012G NAME PLATE		1				
061	136689-9	HOUSING L ASSEMBLY		1				
D10		INC. 59,62						
062	266326-2	TAPPING SCREW 4X18		4				
063	266326-2	TAPPING SCREW 4X18		9				
064	620J22-0	SWITCH CIRCUIT COMPLETE		1				
C10	810D46-0	SWITCH LABEL		1				
065	232733-1	TORSION SPRING 10		1				
066	413C94-8	CATCH LEVER		1				
067	650024-2	SWITCH C3JR-4B-PAND4-1		1				
068	632T50-3	SWITCH UNIT		1				
069	413C93-0	SWITCH LEVER		1				
070	632L49-0	SWITCH UNIT		1				
071	8117H6-9	UC012G SERIAL NO. LABEL		1				
072	632T07-4	TERMINAL UNIT		1				
073	652031-1	PAN HEAD SCREW M3X6		2				
074	266326-2	TAPPING SCREW 4X18		3				
075	266326-2	TAPPING SCREW 4X18		2				
076	183V16-3	TERMINAL BOX SET		1				
C10	263005-3	RUBBER PIN 6		2				
080	911228-4	PAN HEAD SCREW M5X18		4				

Model No.UC012G 400MM CORDLESS CHAIN SAW

Item	Parts No.	Description	I/C	Qty	New/Old	Opt. 1	Opt. 2	Note
081	136674-2	HOUSING R ASSEMBLY		1				
C10	8025F3-0	XGT LOGO LABEL		1				
084	413D09-1	GUARD C		1				
085	413D10-6	GUARD D		1				
086	422833-7	GROMMET		1				
087	422832-9	CHIP GUIDE		1				
088	413C98-0	INNER COVER		1				
089	266427-6	TAPPING SCREW 4X12		1				
090	266427-6	TAPPING SCREW 4X12		1				
091	413C96-4	SPROCKET COVER		1				
092	162493-0	FLANGE NUT COMPLETE		2				
093	413C97-2	NUT COVER		1				
094	183V86-2	SPROCKET COVER SET		1				
D10		INC. 84-93						
A01	191T88-2	GUIDE BAR 16 SET		1				
A02	419242-9	CHAIN COVER		1				
A03	199897-3	OIL VESSEL SET		1				
A04	191T92-1	SAW CHAIN 16 SET		1				
A05	782023-7	WRENCH 13-16		1				
A07B	412393-7	BATTERY COVER		1				
A08B	***DC40RA	DC40RA FAST CHARGER		1				
D10		COMPO-PARTS						
A09B	191L47-8	BATTERY BL4050F SET		1				
E01	8050E9-0	SOUND LABEL		1				

Please order the parts with part number.

Print Date 17/1/2022