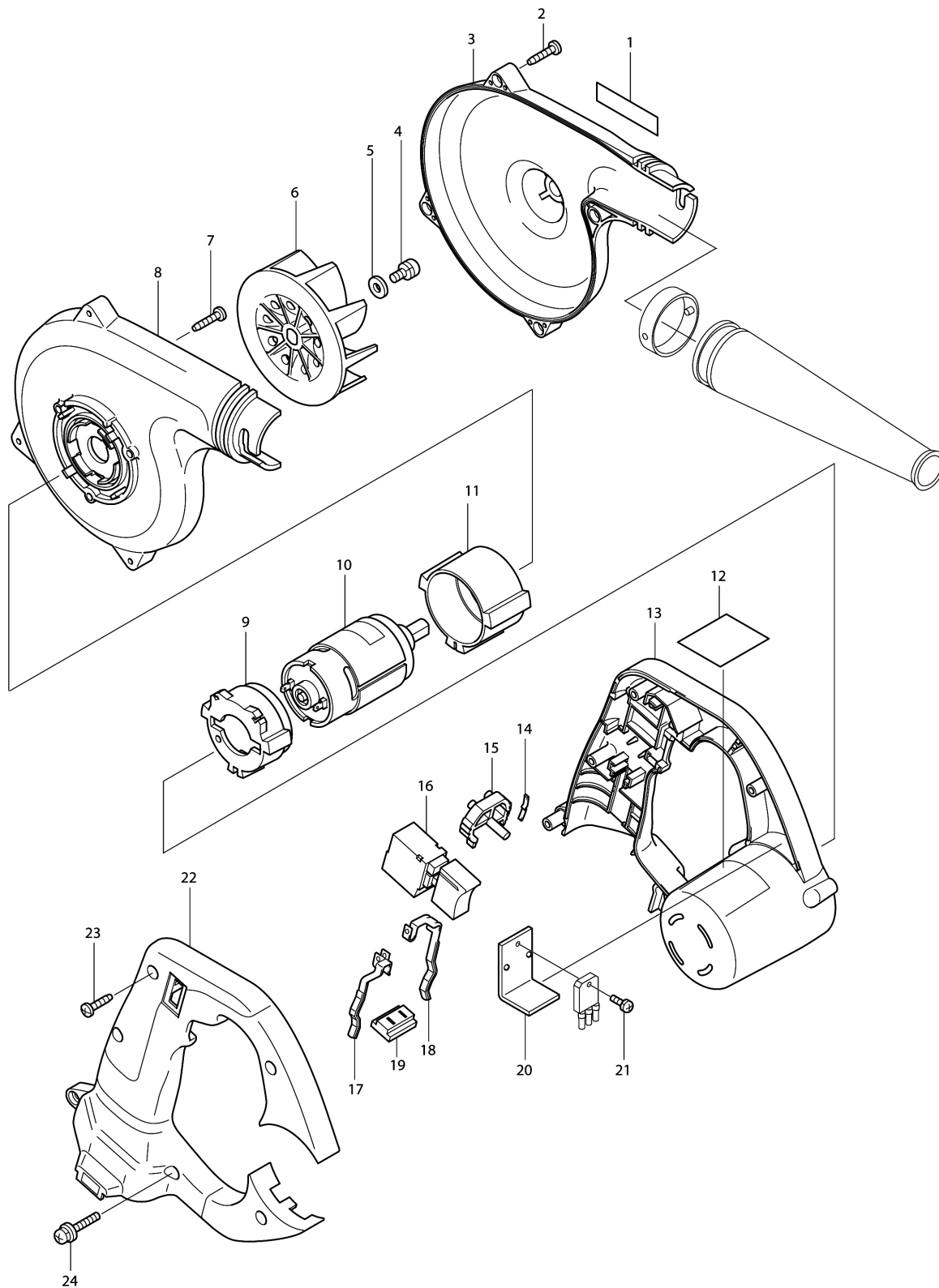


Model No.UB120D CORDLESS BLOWER 12V



Model No.UB120D CORDLESS BLOWER 12V

Item	Parts No.	Description	I/C	Qty	New/Old	Opt. 1	Opt. 2	Note
001	819063-3	MAKITA LABEL		1				
002	265995-6	TAPPING SCREW 4X18		4				
003	183187-4	FAN HOUSING COMPLETE		1				
D10		INC. 8						
004	911201-4	PAN HEAD SCREW M5X8		1				
005	253194-2	FLAT WASHER 5		1				
006	240028-8	FAN 86		1				
007	265995-6	TAPPING SCREW 4X18		3				
008	183187-4	FAN HOUSING COMPLETE		1				
D10		INC. 3						
009	421714-2	MOTOR RUBBER RING B		1				
010	629745-7	DC MOTOR		1				
C10	323949-0	SPINDLE		1				
011	421713-4	MOTOR RUBBER RING A		1				
012	851841-5	NAME PLATE UB120D		1				
013	417062-5	MOTOR HOUSING		1				
014	232162-8	LEAF SPRING		1				
015	417066-7	DIAL 32		1				
016	651983-3	SWITCH C3LA-1A-B		1	*			
016-1	651983-3	SWITCH C3LA-1A-B	O	1				
017	654195-7	SPRING TERMINAL (PLUS)		1	*			
017-1	654196-5	SPRING TERMINAL (MINUS)	X	1				
018	654196-5	SPRING TERMINAL (MINUS)		1	*			
018-1	654195-7	SPRING TERMINAL (PLUS)	X	1				
019	687085-9	HOLDER		1				
020	689091-0	HEAT SINK		1				
021	911006-2	PAN HEAD SCREW M3X8		1				
022	417063-3	HANDLE COVER		1				
023	265995-6	TAPPING SCREW 4X18		5				
024	911143-2	PAN HEAD SCREW M4X22		1				
A01	343579-1	SET PLATE		1	*			
A02	132025-7	NOZZLE ASS'Y		1				
C10	414145-2	JOINT		1				
A03A	414938-7	BATTERY COVER		1				
A03B	414938-7	BATTERY COVER		1				
A03D	414938-7	BATTERY COVER		1				
A03E	414938-7	BATTERY COVER		1				
A04A	192597-4	BATTERY 1222 SET		1				
A05B	192698-8	NI-MH(2.2A) BATTERY 1233		1	*			
A05D	192698-8	NI-MH(2.2A) BATTERY 1233		1				
A05-1B	193100-4	NI-MH(2.6A) BATTERY 1234 SET	O	1				

Please order the parts with part number.

Print Date 4/7/2019

Model No.UB120D CORDLESS BLOWER 12V

Item	Parts No.	Description	I/C	Qty	New/Old	Opt. 1	Opt. 2	Note
A06E	193100-4	NI-MH(2.6A) BATTERY 1234 SET		1				

Please order the parts with part number.

Print Date 4/7/2019