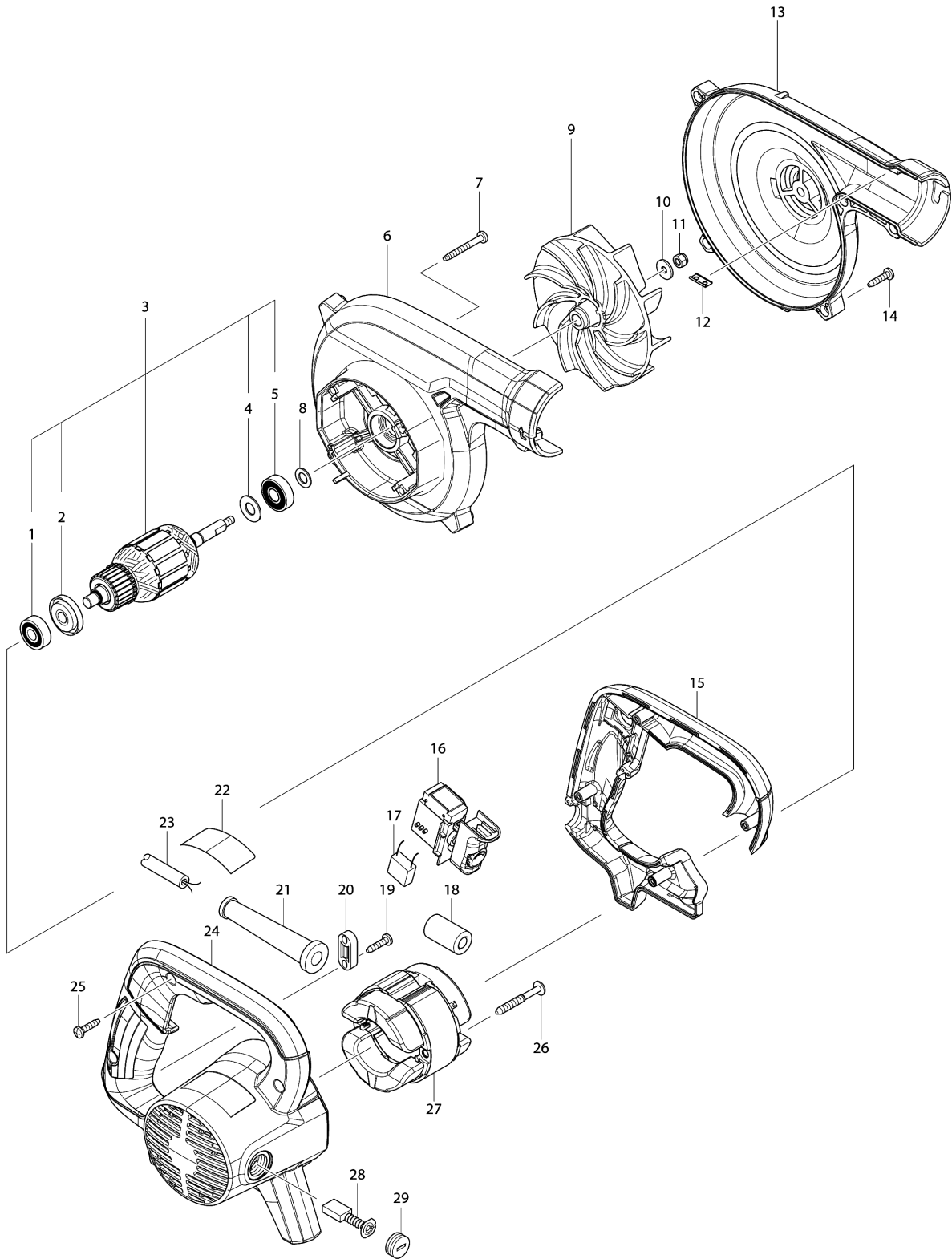


Model No.UB1103 BLOWER



Model No.UB1103 BLOWER

| Item | Parts No. | Description | I/C | Qty | New/Old | Opt. 1 | Opt. 2 | Note |
|-------|-----------|-----------------------------|-----|-----|---------|--------|--------|------|
| 001 | 210044-4 | BALL BEARING 608DDW | | 1 | | | | |
| 002 | 681644-1 | INSULATION WASHER | | 1 | | | | |
| 003 | 513904-2 | ARMATURE ASS'Y 240V | | 1 | | | | |
| D10 | | INC. 1,2,4,5 | | | | | | |
| 004 | 267237-4 | FLAT WASHER 9 | | 1 | | | | |
| 005 | 211491-2 | BALL BEARING 609DDW | | 1 | | | | |
| 006 | 142292-6 | FAN HOUSING COMPLETE | | 1 | | | | |
| 007 | 266351-3 | TAPPING SCREW 4X35 | | 4 | | | | |
| 008 | 267240-5 | FLAT WASHER 8 | | 1 | | | | |
| 009 | 240148-8 | FAN 110 | | 1 | | | | |
| 010 | 267294-2 | FLAT WASHER 5 | | 1 | | | | |
| 011 | 252103-8 | HEX. LOCK NUT M5-8 | | 1 | | | | |
| 012 | 345998-7 | SET PLATE | | 1 | | | | |
| 013 | 454702-4 | FAN COVER | | 1 | | | | |
| 014 | 266326-2 | TAPPING SCREW 4X18 | | 5 | | | | |
| 015 | 454700-8 | HANDLE COVER | | 1 | | | | |
| 016 | 651298-8 | SWITCH TG813AB-1 | | 1 | | | | |
| 017 | 645190-8 | NOISE SUPPRESSOR | | 1 | | | | |
| 018 | 688162-0 | LINE FILTER | | 1 | | | | |
| 019 | 266326-2 | TAPPING SCREW 4X18 | | 2 | | | | |
| 020 | 687124-5 | STRAIN RELIEF | | 1 | | | | |
| 021 | 682569-2 | CORD GUARD 8-85 | | 1 | | | | |
| 022 | 815D55-4 | UB1103 NAME PLATE | | 1 | | | | |
| 023 | 665394-6 | POWER SUPPLY CORD 1.0-2-2.5 | | 1 | | | | |
| 024 | 142291-8 | MOTOR HOUSING COMPLETE | | 1 | | | | |
| C10 | 643708-9 | BRUSH HOLDER 5-11 | | 2 | | | | |
| 025 | 266326-2 | TAPPING SCREW 4X18 | | 4 | | | | |
| 026 | 266211-9 | TAPPING SCREW 5X40 | | 2 | | | | |
| 027 | 599047-4 | FIELD ASS'Y 240V | | 1 | * | | | |
| C10 | 654020-2 | RING TERMINAL | | 2 | * | | | |
| C20 | 654501-6 | CONNECTOR P-1.25 | | 2 | * | | | |
| 027-1 | 599106-4 | FIELD ASS'Y 240V | O | 1 | | | | |
| C10 | 654020-2 | RING TERMINAL | | 2 | | | | |
| C20 | 654501-6 | CONNECTOR P-1.25 | | 2 | | | | |
| 028 | 191963-2 | CARBON BRUSH CB-303 | | 1 | | | | |
| 029 | 643750-0 | BRUSH HOLDER CAP 7-11 | | 2 | | | | |
| A01 | 123245-4 | NOZZLE ASS'Y | | 1 | | | | |
| C10 | 454703-2 | JOINT | | 1 | | | | |
| A02 | 123241-2 | DUST BAG ASSEMBLY | | 1 | | | | |
| C10 | 410602-8 | FASTENER | | 1 | | | | |

Please order the parts with part number.

Print Date 31/3/2020