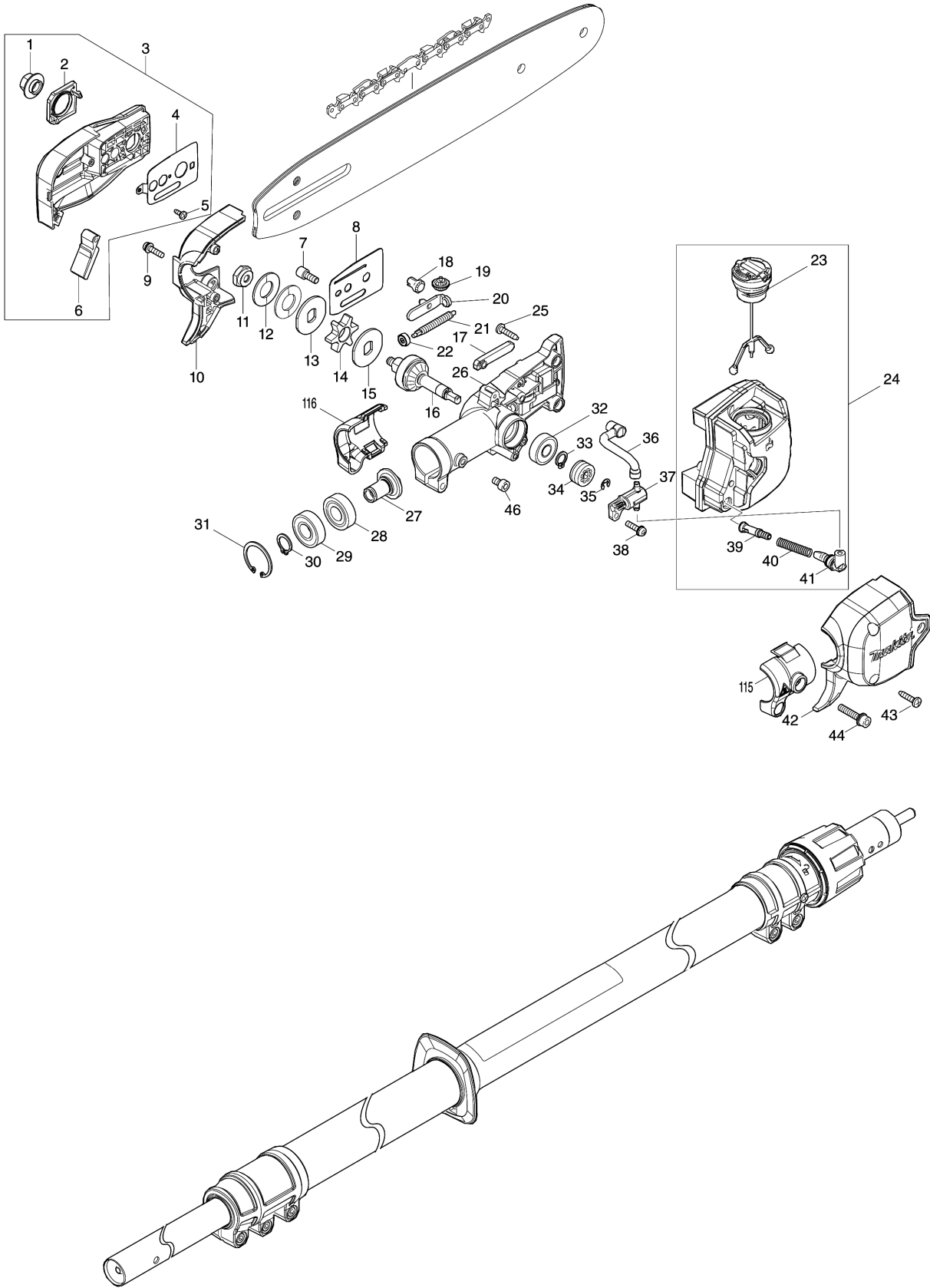
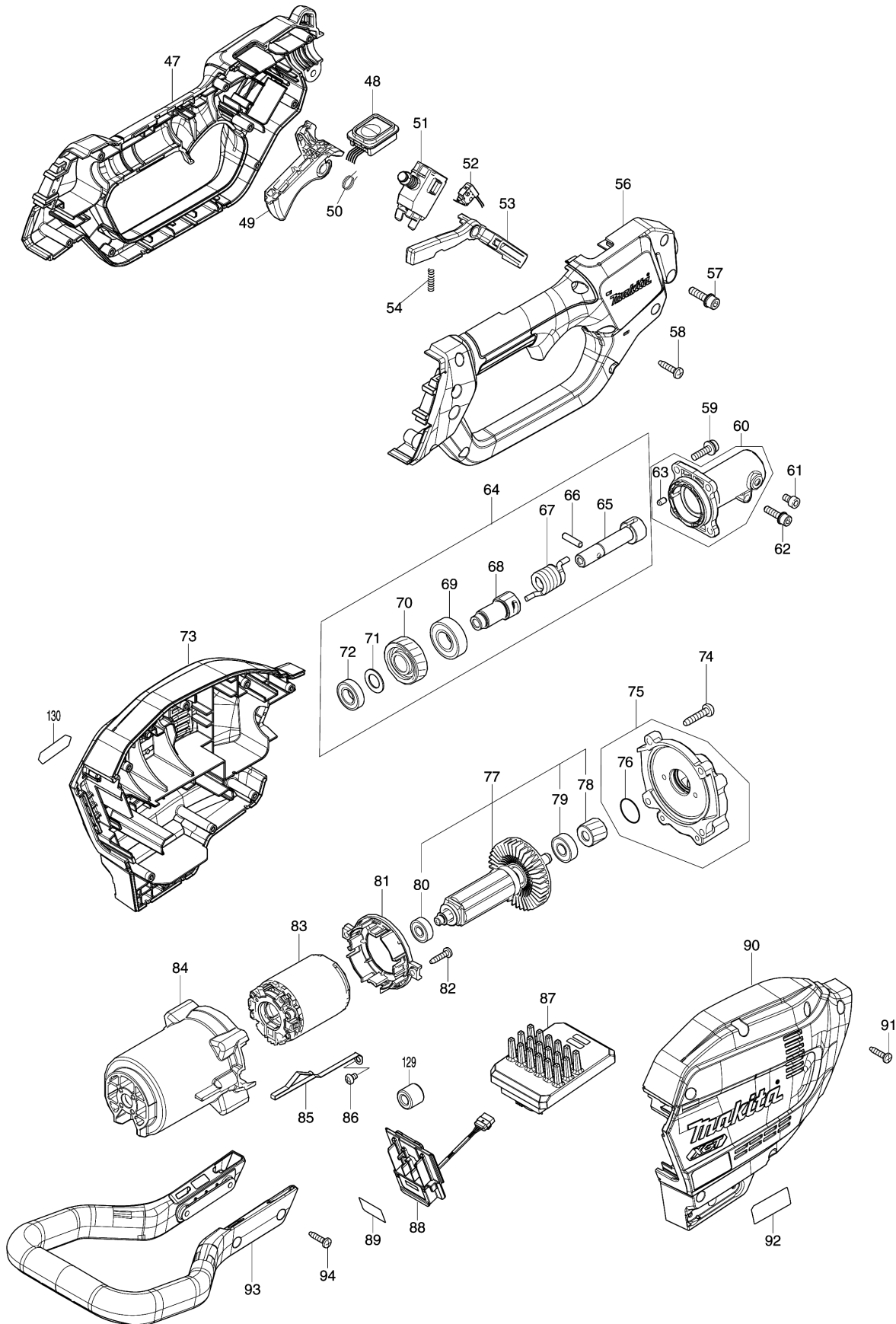


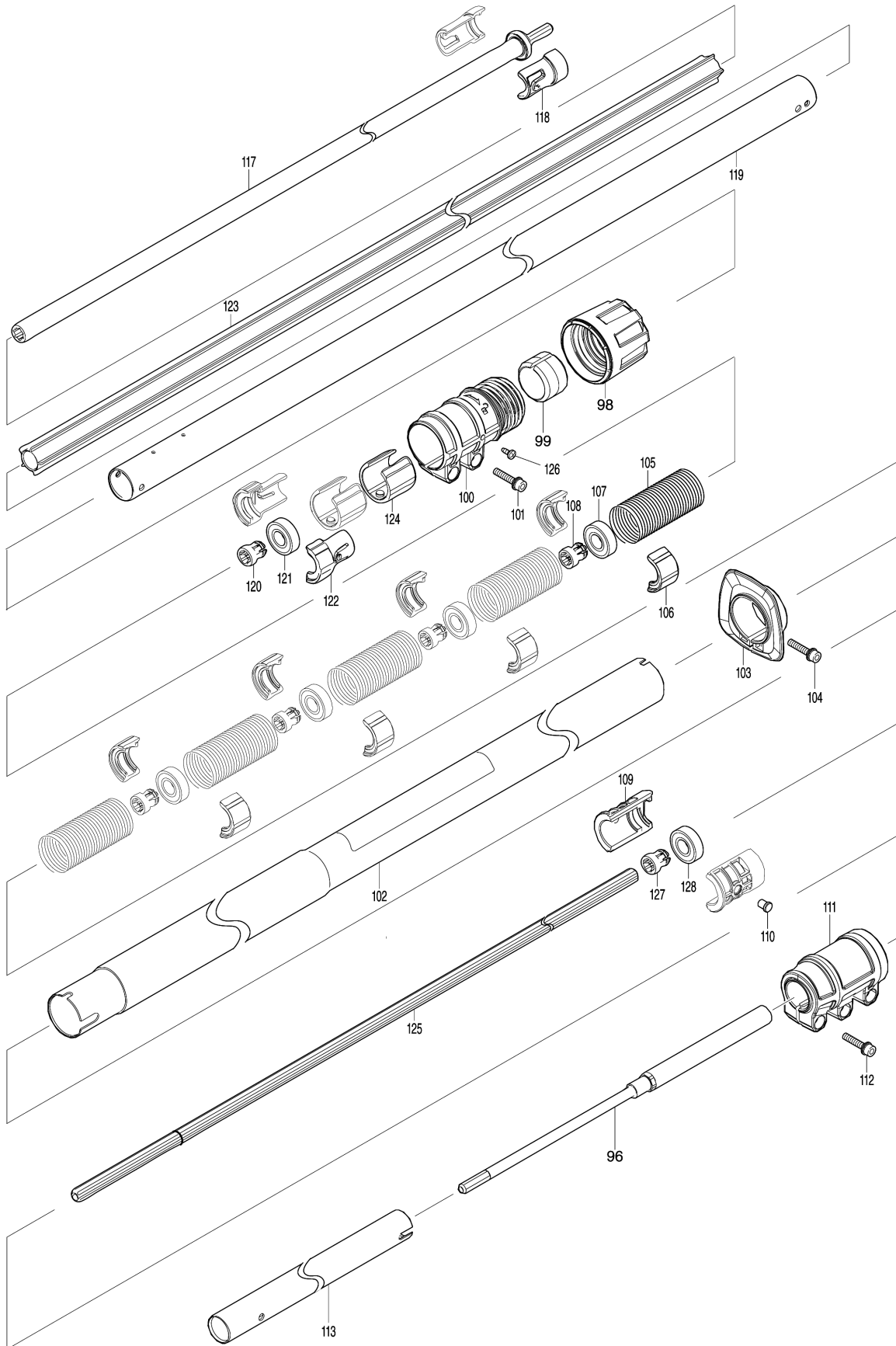
Model No.UA004G 300MM CORDLESS POLE SAW



Model No.UA004G 300MM CORDLESS POLE SAW



Model No.UA004G 300MM CORDLESS POLE SAW





Model No.UA004G 300MM CORDLESS POLE SAW

Item	Parts No.	Description	I/C	Qty	New/Old	Opt. 1	Opt. 2	Note
001	162494-8	FLANGE NUT COMPLETE		1				
002	412638-3	NUT COVER		1				
003	136373-6	SPROCKET COVER ASSY		1				
D10		INC. 1,2,4-6						
004	347707-0	GUIDE PLATE L		1				
005	265954-0	TAPPING SCREW BIND PT3X8		1				
006	422599-9	CHIP GUIDE		1				
007	266905-6	H.L. SOCKET HEAD BOLT M5X12		1				
008	347708-8	GUIDE PLATE R		1				
009	911128-8	P.H.SCREW M4X16 WITH WR		2				
010	183P83-2	GEAR CASE HOUSING SET		1				
D10		INC. 42						
011	252291-1	HEX. NUT M6		1				
012	232626-2	CORNED DISK SPRING 14		2				
013	347705-4	LOCK WASHER 12		1				
014	226992-7	SPROCKET 6		1				
015	347705-4	LOCK WASHER 12		1				
016	140V32-8	SPINDLE COMPLETE		1				
017	422602-6	GROMET		1				
018	227620-7	DRIVE GEAR 14		1				
019	227634-6	STRAIGHT BEVEL GEAR 14		1				
020	347706-2	TENSION SLIDE		1				
021	327606-2	ADJUST SCREW		1				
022	227496-2	STRAIGHT BEVEL GEAR 14		1				
023	126832-8	TANK CAP ASSEMBLY		1				
C10	213894-6	O-RING 25		1				
024	136372-8	OIL TANK ASSEMBLY		1				
D10		INC. 23,39-41						
025	266326-2	TAPPING SCREW 4X18		3				
026	136301-1	GEAR CASE ASSEMBLY		1				
C10	213437-4	O RING 28		1				
027	226995-1	SPIRAL BEVEL GEAR 18		1				
028	211131-2	BALL BEARING 6001DDW		1				
029	211148-5	BALL BEARING 6001ZZ		1				
030	961052-5	RETAINING RING S-12		1				
031	962106-1	RETAINING RING R-28		1				
032	211491-2	BALL BEARING 609DDW		1				
033	961005-4	RETAINING RING S-9		1				
034	226884-0	WORM GEAR		1				
035	961011-9	STOP RING E-4		1				
036	422600-0	OIL TUBE 3-70		1				
037	140U04-7	OIL PUMP COMPLETE		1				

Please order the parts with part number.

Print Date 26/10/2021

Model No.UA004G 300MM CORDLESS POLE SAW

Item	Parts No.	Description	I/C	Qty	New/Old	Opt. 1	Opt. 2	Note
038	911128-8	P.H.SCREW M4X16 WITH WR		1				
039	452666-6	NIPPLE		1				
040	231975-4	SPRING		1				
041	422601-8	OIL TUBE 3-14		1				
042	183P83-2	GEAR CASE HOUSING SET		1				
D10		INC. 10						
043	266326-2	TAPPING SCREW 4X18		3				
044	922243-3	HEX. SOCKET HEAD BOLT M5X25		1				
046	922202-7	HEX. SOCKET HEAD BOLT M5X8		1				
047	183U44-2	GRIP SET		1				
C10	931202-6	HEX. NUT M5		1				
D10		INC. 56						
048	141H14-9	SWITCH CIRCUIT COMPLETE		1				
C10	810D46-0	SWITCH LABEL		1				
049	459758-2	SWITCH LEVER		1				
050	233622-3	TORSION SPRING 12		1				
051	650015-3	SWITCH C3JR-4B-PAND3		1				
052	632G61-0	SWITCH UNIT		1				
053	459759-0	LOCK OFF LEVER		1				
054	233101-1	COMPRESSION SPRING 4		1				
056	183U44-2	GRIP SET		1				
C10	931202-6	HEX. NUT M5		1				
D10		INC. 47						
057	922233-6	H.S.H.BOLT M5X20 WITH WR		1				
058	266326-2	TAPPING SCREW 4X18		8				
059	911233-1	PAN HEAD SCREW M5X20		4				
060	136371-0	PIPE BRACKET ASSY		1				
D10		INC. 63						
061	922202-7	HEX. SOCKET HEAD BOLT M5X8		1				
062	922233-6	H.S.H.BOLT M5X20 WITH WR		1				
063	263002-9	RUBBER PIN 4		1				
064	127641-8	DAMPER SHAFT ASSEMBLY		1				
D10		INC. 65-72						
065	327600-4	JOINT SLEEVE		1				
066	256964-8	PIN 5		1				
067	232625-4	TORSION SPRING 12		1				
068	327601-2	SPINDLE HUB		1				
069	211232-6	BALL BEARING 6002LLU		1				
070	226997-7	HELICAL GEAR 33		1				
071	253744-3	FLAT WASHER 12		1				
072	211150-8	BALL BEARING 6901ZZ		1				

Please order the parts with part number.

Print Date 26/10/2021

Model No.UA004G 300MM CORDLESS POLE SAW

Item	Parts No.	Description	I/C	Qty	New/Old	Opt. 1	Opt. 2	Note
073	183U43-4	HOUSING SET		1				
C10	263005-3	RUBBER PIN 6		8				
D10		INC. 90						
074	266459-3	TAPPING SCREW 5X25		4				
075	136230-8	GEAR BOX ASS'Y		1				
D10		INC. 76						
076	213961-7	O RING 22		1				
077	510470-0	ROTOR ASS'Y		1				
D10		INC. 78-80						
078	226996-9	HELICAL GEAR 16		1				
079	210005-4	BALL BEARING 608DDW		1				
080	210062-2	BALL BEARING 607ZZ		1				
081	459764-7	BAFFLE PLATE		1				
082	266326-2	TAPPING SCREW 4X18		2				
083	629A97-2	STATOR		1				
084	459763-9	MOTOR HOUSING		1				
085	347620-2	PLATE		1				
086	911102-6	PAN HEAD SCREW M4X6		1				
087	620H16-3	CONTROLLER		1				
088	632P49-4	TERMINAL UNIT		1				
089	8114V9-3	UA004G SERIAL NO. LABEL		1				
090	183U43-4	HOUSING SET		1				
C10	263005-3	RUBBER PIN 6		8				
D10		INC. 73						
091	266326-2	TAPPING SCREW 4X18		8				
092	8114V5-1	UA004G NAME PLATE		1				
093	413C42-7	GUARD		1				
094	266326-2	TAPPING SCREW 4X18		4				
096	140V20-5	SHAFT C COMPLETE		1				
C10	162823-5	SPINDLE D COMPLETE		1				
098	412631-7	LOCK RING		1				
099	412632-5	LOCK SLEEVE		1				
100	412630-9	LOCK SCREW		1				
C10	931202-6	HEX. NUT M5		2				
101	922243-3	HEX. SOCKET HEAD BOLT M5X25		2				
102	141J38-7	PIPE 38 COMPLETE		1				
C10	8046S6-7	CAUTION LABEL		1				
103	412634-1	GRIP END 38		1				
104	922243-3	HEX. SOCKET HEAD BOLT M5X25		1				
105	232624-6	COMPRESSION SPRING 28		5				
106	413312-6	DRIVE BUSH		8				

Model No.UA004G 300MM CORDLESS POLE SAW

Item	Parts No.	Description	I/C	Qty	New/Old	Opt. 1	Opt. 2	Note
107	211148-5	BALL BEARING 6001ZZ		4				
108	412625-2	SLIDE BUSH		4				
109	313340-0	PIPE SLEEVE 24		2				
110	327599-3	SHOULDER PIN 6		1				
111	412629-4	PIPE JOINT		1				
112	922243-3	HEX. SOCKET HEAD BOLT M5X25		3				
113	140V18-2	PIPE 24 COMPLETE		1				
115	183R91-5	GEAR CASE COVER SET		1				
D10		INC. 116						
116	183R91-5	GEAR CASE COVER SET		1				
D10		INC. 115						
117	136393-0	SHAFT ASS'Y		1				
D10		INC. 125						
118	412627-8	BEARING HOUSING B		2				
119	327864-0	PIPE 28		1				
120	412625-2	SLIDE BUSH		1				
121	211148-5	BALL BEARING 6001ZZ		1				
122	412624-4	BEARING HOUSING A		2				
123	412623-6	LINER 15		1				
124	412626-0	PIPE SLEEVE 28		2				
125	136393-0	SHAFT ASS'Y		1				
D10		INC. 117						
126	265954-0	TAPPING SCREW BIND PT3X8		1				
127	412625-2	SLIDE BUSH		1				
128	211148-5	BALL BEARING 6001ZZ		1				
129	688163-8	LINE FILTER		1				
130	8032A7-2	XGT LOGO LABEL		1				
A01	191G15-1	GUIDE BAR 12 SET		1				
A02	419288-5	CHAIN COVER		1				
A03	196740-7	SAW CHAIN SET		1				
A04	782023-7	WRENCH 13-16		1				
A05	195923-6	ROUND FILE 4.5 SET		1				
A06	199897-3	OIL VESSEL SET		1				
A07	783202-0	HEX. WRENCH 4		1				
A08	422596-5	CAP 28		2				
A09	424434-7	CAP 24		1				
A10	191K37-5	BAND ASSEMBLY SET		1				
E01	654781-4	CONDUCTIVE GASKET		1				

Please order the parts with part number.

Print Date 26/10/2021