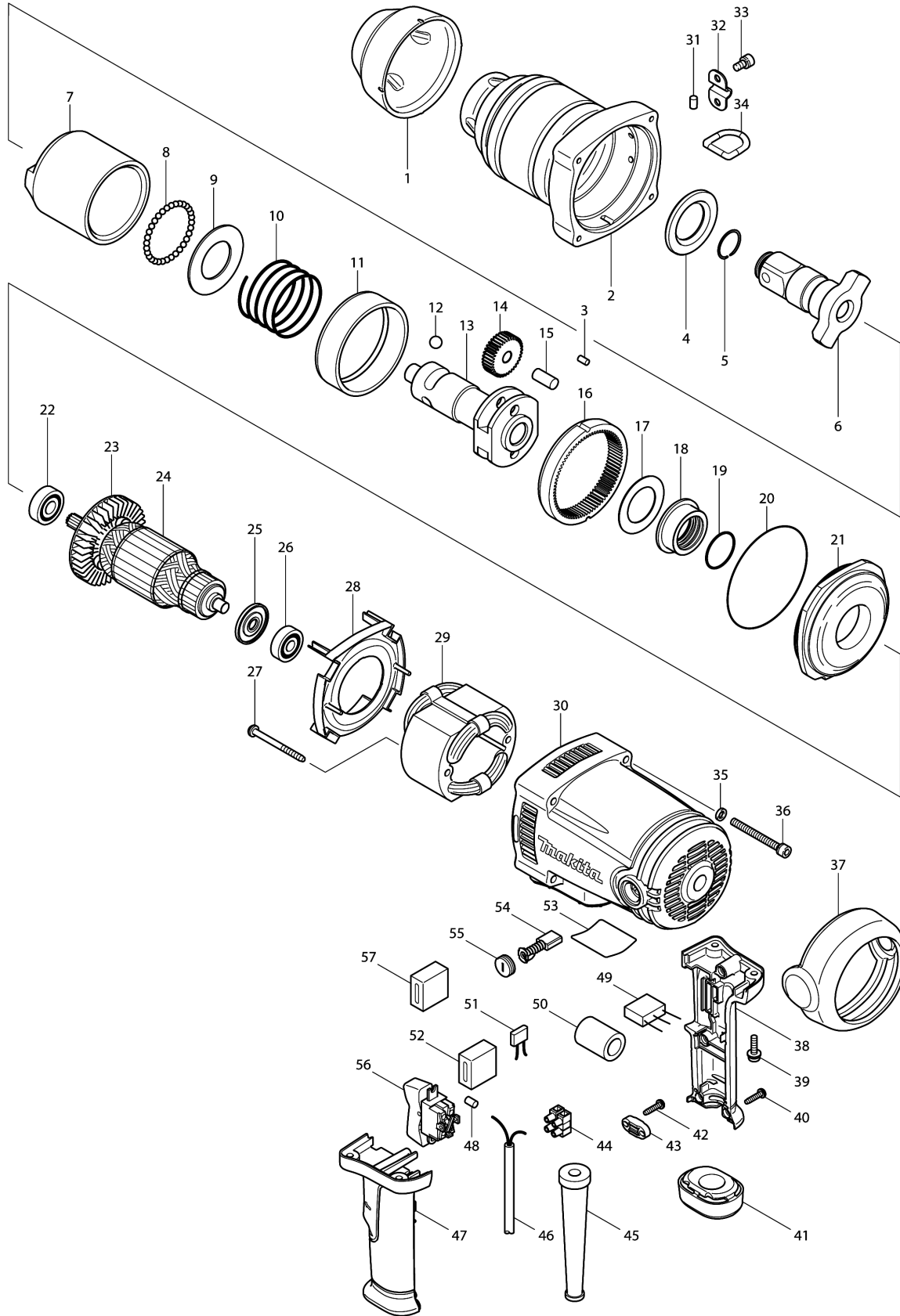


Model No.TW1000 IMPACT WRENCH



Model No.TW1000 IMPACT WRENCH

Item	Parts No.	Description	I/C	Qty	New/Old	Opt. 1	Opt. 2	Note
001	421895-2	FRONT BUMPER		1				
002	154555-8	HAMMER CASE COMPLETE		1				
003	256253-1	PIN 5		2				
004	253909-7	FLAT WASHER 35		1				
005	231921-7	RING SPRING 22		1				
006	325587-4	ANVIL		1				
007	325415-3	HAMMER		1				
008	216002-8	STEEL BALL 4.8		32				
009	253712-6	FLAT WASHER 36		1				
010	233428-9	COMPRESSION SPRING 45		1	*			
010-1	231211-8	COMPRESSION SPRING 36	S	1				
011	333112-7	RING 79		1				
012	216010-9	STEEL BALL 10.3		2				
013	324501-7	SPINDLE		1	*			
013-1	324666-5	SPINDLE	S	1				
014	227149-3	SPUR GEAR 37		2				
015	256051-3	PIN 10		2				
016	221815-4	INTERNAL GEAR 82		1				
017	267170-0	FLAT WASHER 34		1				
018	310154-8	BEARING BOX		1				
019	213459-4	O RING 32		1				
020	213855-6	O RING 95		1				
021	317841-0	HAMMER CASE COVER		1				
022	211137-0	BALL BEARING 6201LLU		1				
023	240003-4	FAN 80		1				
024	516919-8	ARMATURE ASS'Y 240V		1				
D10		INC. 22,23,25,26						
025	681665-3	INSULATION WASHER		1				
026	211066-7	BALL BEARING 6200LLB		1				
027	265345-5	+ HEX. BOLT M5X60		2				
028	418814-7	BAFFLE PLATE		1				
029	528940-5	FIELD ASS'Y 240V		1				
C10	654020-2	RING TERMINAL		2				
C20	654502-4	CONNECTOR P-2		2				
030	154556-6	MOTOR HOUSING COMPLETE		1				
C10	643653-8	BRUSH HOLDER 6.5-13.5		2				
031	263005-3	RUBBER PIN 6		1				
032	345517-9	PLATE		1				
033	266157-9	HEX. SOCKET HEAD BOLT M6X12		2	*			
033-1	922311-2	HEX. SOCKET HEAD BOLT M6X12	S	2				
034	282018-5	D-RING		1				

Model No.TW1000 IMPACT WRENCH

Item	Parts No.	Description	I/C	Qty	New/Old	Opt. 1	Opt. 2	Note
035	941151-9	FLAT WASHER 6		4				
036	265538-4	HEX.SOCKET HEAD BOLT M6X60		4	*			
036-1	265538-4	HEX.SOCKET HEAD BOLT M6X60	<	4				
037	421896-0	REAR BUMPER		1				
038	183935-1	HANDLE SET		1				
D10		INC. 47						
039	911233-1	PAN HEAD SCREW M5X20		4				
040	265995-6	TAPPING SCREW 4X18		4				
041	421897-8	BUMPER		1				
042	265995-6	TAPPING SCREW 4X18		2				
043	687052-4	STRAIN RELIEF		1				
044	654531-7	TERMINAL BLOCK 2P		1				
045	682564-2	CORD GUARD		1				
046	665865-3	POWER SUPPLY CORD 1.0-2- 2.5		1				
047	183935-1	HANDLE SET		1				
D10		INC. 38						
048	263005-3	RUBBER PIN 6		1				
049	645253-0	NOISE SUPPRESSOR		1				
050	685722-9	SPONGE		1				
051	646755-9	RESISTOR		1				
052	685725-3	SPONGE SHEET		1				
053	861265-7	TW1000 NAME PLATE		1				
054	181044-0	CARBON BRUSH CB-153		1				
055	643650-4	BRUSH HOLDER CAP 6.5-13.5		2	*			
055-1	643650-4	BRUSH HOLDER CAP 6.5-13.5	O	2				
056	651572-4	SWITCH SL220SD-19		1				
057	685725-3	SPONGE SHEET		1				
058	231212-6	COMPRESSION SPRING 49		1				
059	253713-4	FLAT WASHER 35		1				
A01	122727-3	SIDE GRIP ASS'Y		1				
C10	152624-9	GRIP 36 COMPLETE		1				
C20	266358-9	R.H SQUARE NECK BOLT M8X50		1				
C30	312743-5	GRIP BASE		1				
C40	345097-5	BELT		1				
A02	134872-2	SOCKET 41-80 ASS'Y		1				
D10		INC. A03,A04						
A03	213570-2	O-RING 44		1				
A04	256284-0	PIN 5		1				
A05	824737-3	PLASTIC CARRYING CASE		1				
C10	416401-6	LATCH		2	*			

Model No.TW1000 IMPACT WRENCH

Item	Parts No.	Description	I/C	Qty	New/Old	Opt. 1	Opt. 2	Note
C11	163467-4	LATCH	X	2				

Please order the parts with part number.

Print Date 31/3/2020