



GB

UNITED KINGDOM

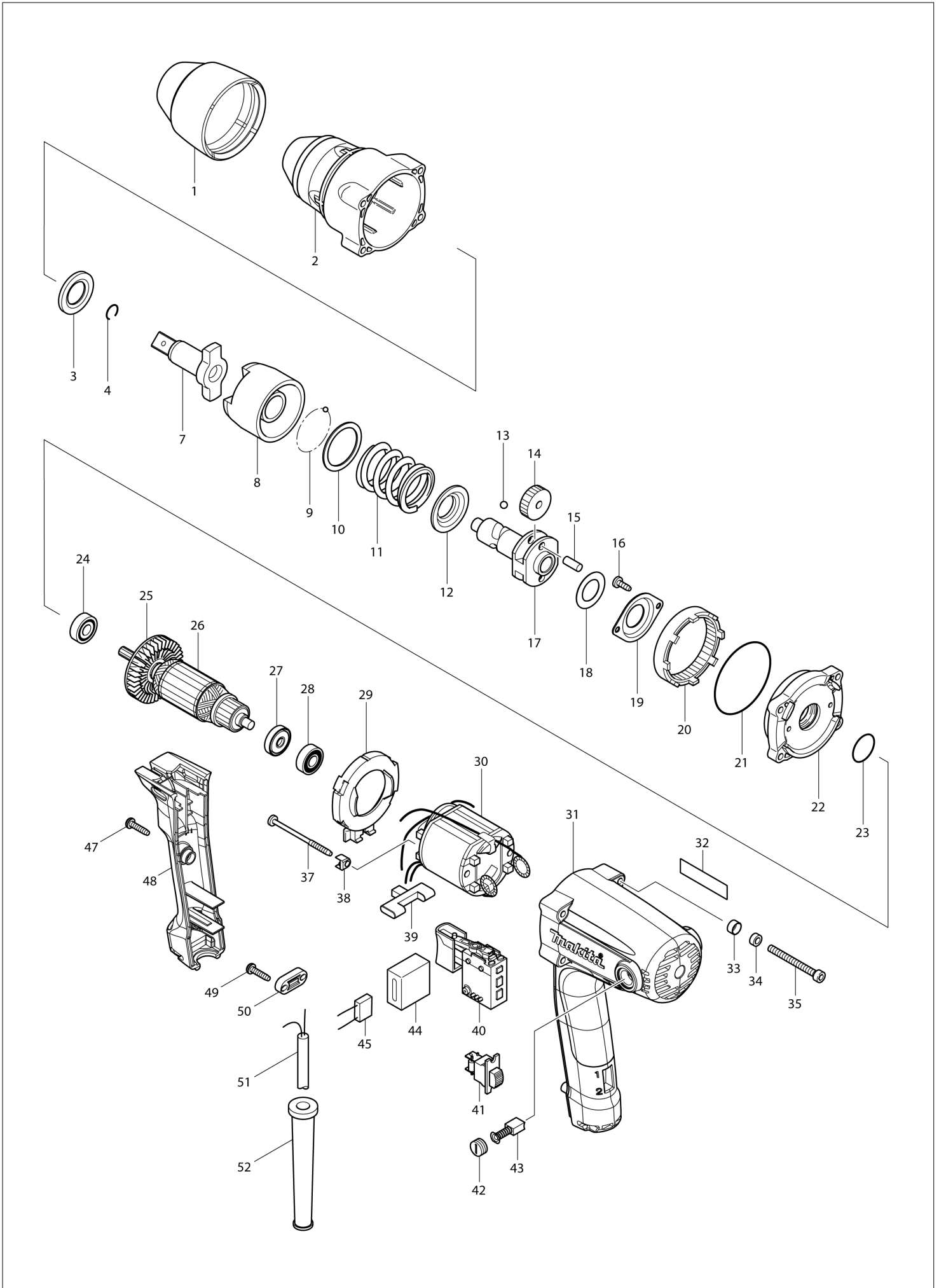
# Diagram / Parts List

**TW0250**

**IMPACT WRENCH**



(GB) TW0250 / IMPACT WRENCH



GB

UNITED KINGDOM

## TW0250 / IMPACT WRENCH

Item	Sub	Parts No.	Parts Description	Qty	I/C	E/C No.	Close No.	Remark
001		421839-2	BUMPER	1				
002		153581-4	HAMMER CASE COMPLETE	1				
	C10	213257-6	OIL SEAL 18	1				
	C20	321119-5	SLEEVE 18	1				
003		267268-3	FLAT WASHER 19	1				
004		231907-1	RING SPRING 10	1				
007		324344-7	ANVIL	1				
008		324341-3	HAMMER	1				
009		216001-0	STEEL BALL 3.5	31				
010		267269-1	FLAT WASHER 32	1				
011		233377-0	COMPRESSION SPRING 30	1				
012		267777-2	CUP WASHER 19	1				
013		216007-8	STEEL BALL 6.4	2				
014		227092-6	SPUR GEAR 32	2				
015		256002-6	PIN 6	2				
016		266026-4	TAPPING SCREW BIND CT 4X12	2				
017		324339-0	SPINDLE	1				
018		253794-8	FLAT WASHER 18	1				
019		285709-7	BEARING RETAINER 44	1				
020		227093-4	INTERNAL GEAR 71	1				
021		213670-8	O RING 58	1				
022		153583-0	INTERNAL GEAR COVER COMPLETE	1				
023		213373-4	O RING 22	1				
024		210005-4	BALL BEARING 608DDW	1				
025		241881-5	FAN 52	1				
026		517445-0	ARMATURE ASS'Y 100V	1				
	D10		INC. 24,25,27,28					
027		681652-2	INSULATION WASHER	1				
028		211021-9	BALL BEARING 607LLB	1				
029		418187-8	BAFFLE PLATE	1				
030		593681-2	FIELD ASS'Y 115V	1				
	C10	654100-4	RING TERMINAL	2				
	C20	654501-6	CONNECTOR P-1.25	2				
031		140021-1	MOTOR HOUSING COMPLETE	1				
	C10	643455-2	BRUSH HOLDER 6X9	2				
032		866479-3	TW0250 NAME PLATE	1				
033		253929-1	CUP WASHER 5	4				
034		262001-8	URETHANE RING 5	4				
035		266331-9	HEX. SOCKET HEAD BOLT M5X50	4				
037		266091-3	TAPPING SCREW 4X50	2				
038		417237-6	INSULATION COVER	2				
039		418186-0	F/L CHANGE LEVER	1				
040		650523-4	SWITCH C3MA-DB	1				
042		643550-8	BRUSH HOLDER CAP 5-8	2				
043		191940-4	CARBON BRUSH CB-411	1				
044		685722-9	SPONGE	1				
045		645200-1	NOISE SUPPRESSOR	1				
047		265995-6	TAPPING SCREW 4X18	3				
048		418189-4	HANDLE COVER	1				
049		265995-6	TAPPING SCREW 4X18	2				
050		687052-4	STRAIN RELIEF	1				
051		665918-8	POWER SUPPLY CORD 1.0-2-2.5	1				
052		682566-8	CORD GUARD 10	1				
A01		134841-3	SOCKET 24-45 ASS'Y	1				
	C10	213399-6	O-RING 25	1				
	C20	268057-9	PIN 4	1				
A02		824703-0	PLASTIC CARRYING CASE	1				
	C10	186347-7	SLIDE LATCH SET	1				
A03		324284-9	HOOK	1				
E01		655030-2	PLUG UK TYPE 16A-4H/110V	1				
E02		654091-9	NON-INSULATED TERMINAL 1.25-2AF	2				

Interchange  
O : Yes  
X : No  
< : the new part can be substituted for the current.  
> : the current part can be substituted for the new.  
S : Interchangeable as a set.