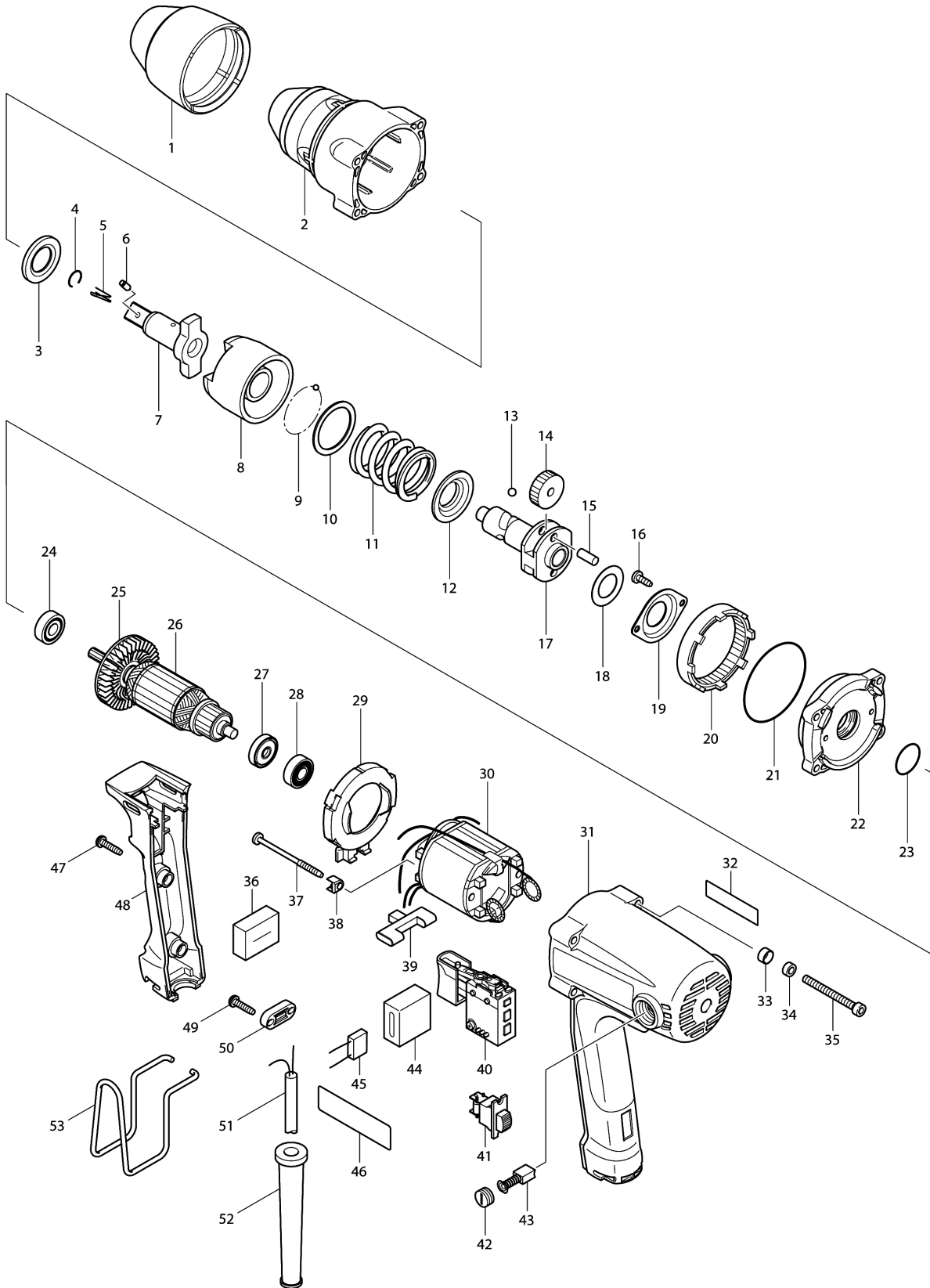


Model No.TW0200 IMPACT WRENCH



Model No.TW0200 IMPACT WRENCH

Item	Parts No.	Description	I/C	Qty	New/Old	Opt. 1	Opt. 2	Note
001	421839-2	BUMPER		1				
002	153581-4	HAMMER CASE COMPLETE		1				
C10	213257-6	OIL SEAL 18		1				
C20	321119-5	SLEEVE 18		1				
003	267268-3	FLAT WASHER 19		1				
004	231907-1	RING SPRING 10		1				
007	324344-7	ANVIL		1				
008	324341-3	HAMMER		1				
009	216001-0	STEEL BALL 3.5		31				
010	267269-1	FLAT WASHER 32		1				
011	233377-0	COMPRESSION SPRING 30		1				
012	267777-2	CUP WASHER 19		1				
013	216007-8	STEEL BALL 6.4		2				
014	227092-6	SPUR GEAR 32		2				
015	256002-6	PIN 6		2				
016	266026-4	TAPPING SCREW BIND CT 4X12		2				
017	324339-0	SPINDLE		1				
018	253794-8	FLAT WASHER 18		1				
019	285709-7	BEARING RETAINER 44		1				
020	227093-4	INTERNAL GEAR 71		1				
021	213670-8	O RING 58		1				
022	153583-0	INTERNAL GEAR COVER COMPLETE		1				
023	213373-4	O RING 22		1				
024	210005-4	BALL BEARING 608DDW		1				
025	241881-5	FAN 52		1				
026	517448-4	ARMATURE ASS'Y 220-240V		1				
D10		INC. 24,25,27,28						
027	681652-2	INSULATION WASHER		1				
028	211021-9	BALL BEARING 607LLB		1				
029	418187-8	BAFFLE PLATE		1				
030	599354-5	FIELD ASS'Y 220-240V		1				
C10	654100-4	RING TERMINAL		2				
C20	654501-6	CONNECTOR P-1.25		2				
031A	183612-5	MOTOR HOUSING		1	*			
C10	643455-2	BRUSH HOLDER 6X9		2	*			
D10		INC. 32			*			
031-1A	140021-1	MOTOR HOUSING COMPLETE	O	1				
C10	643455-2	BRUSH HOLDER 6X9		2				
031-1B	140021-1	MOTOR HOUSING COMPLETE		1				
C10	643455-2	BRUSH HOLDER 6X9		2				
032A	819063-3	MAKITA LABEL		1	*			

Model No.TW0200 IMPACT WRENCH

Item	Parts No.	Description	I/C	Qty	New/Old	Opt. 1	Opt. 2	Note
033	253929-1	CUP WASHER 5		4				
034	262001-8	URETHANE RING 5		4				
035	266331-9	HEX. SOCKET HEAD BOLT M5X50		4				
036	685700-9	SPONGE SHEET		1				
037	266091-3	TAPPING SCREW 4X50		2				
038	417237-6	INSULATION COVER		2				
039	418186-0	F/L CHANGE LEVER		1				
040	650523-4	SWITCH C3MA-DB		1				
042	643550-8	BRUSH HOLDER CAP 5-8		2				
043	191940-4	CARBON BRUSH CB-411		1				
045	645253-0	NOISE SUPPRESSOR		1				
046	850444-2	NAME PLATE TW0200		1				
047	265995-6	TAPPING SCREW 4X18		3				
048	418189-4	HANDLE COVER		1				
049	265995-6	TAPPING SCREW 4X18		2				
050	687052-4	STRAIN RELIEF		1				
051	665865-3	POWER SUPPLY CORD 1.0-2- 2.5		1				
052	682566-8	CORD GUARD 10		1				
053	324284-9	HOOK		1				
A01	134841-3	SOCKET 24-45 ASS'Y		1				
C10	213399-6	O-RING 25		1				
C20	268057-9	PIN 4		1				
A02A	824703-0	PLASTIC CARRYING CASE		1				
C10	186347-7	SLIDE LATCH SET		1				
A03B	821549-5	CONNECTOR PLASTIC CASE (TYPE1)		1				
C10	453974-8	LATCH		4				
A04B	802U82-2	TW0200J INDICATION LABEL		1				
A05B	802U83-0	TW0200J PLASTIC CASE LABEL		2				
A06B	837869-7	INNER TRAY		1				

Please order the parts with part number.

Print Date 31/3/2020