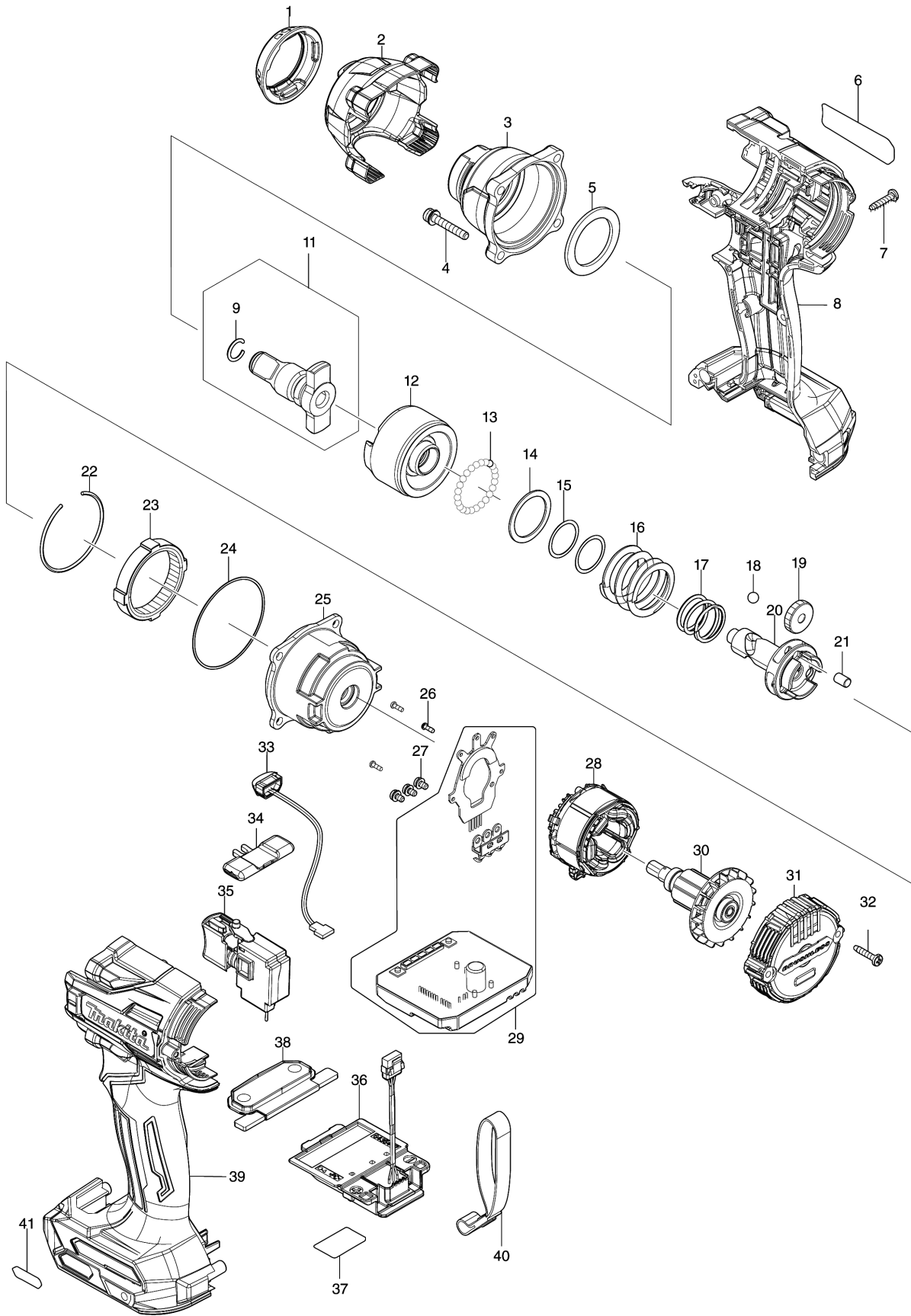


Model No.TW004G CORDLESS IMPACT WRENCH



Model No.TW004G CORDLESS IMPACT WRENCH

| Item | Parts No. | Description | I/C | Qty | New/Old | Opt. 1 | Opt. 2 | Note |
|------|-----------|--------------------------------|-----|-----|---------|--------|--------|------|
| 001 | 422584-2 | BUMPER | | 1 | | | | |
| 002 | 412822-0 | HAMMER CASE COVER | | 1 | | | | |
| 003 | 140W13-8 | HAMMER CASE COMPLETE | | 1 | | | | |
| 004 | 265472-8 | HEX. SOCKET HEAD BOLT M4X25 | | 4 | | | | |
| 005 | 261154-0 | NYLON WASHER 28 | | 1 | | | | |
| 006 | 857P12-8 | TW004G NAME PLATE | | 1 | | | | |
| 007 | 266130-9 | TAPPING SCREW BIND PT 3X16 | | 8 | | | | |
| 008 | 183R16-9 | HOUSING SET | | 1 | | | | |
| C10 | 263005-3 | RUBBER PIN 6 | | 2 | | | | |
| C20 | 263032-0 | RUBBER PIN 4 | | 2 | | | | |
| C30 | 252126-6 | HEX. LOCK NUT M4-7 | | 2 | | | | |
| D10 | | INC. 39 | | | | | | |
| 009 | 231907-1 | RING SPRING 10 | | 1 | | | | |
| 011 | 136272-2 | ANVIL E ASS'Y | | 1 | | | | |
| D10 | | INC. 9 | | | | | | |
| 012 | 327648-6 | HAMMER | | 1 | | | | |
| 013 | 216001-0 | STEEL BALL 3.5 | | 24 | | | | |
| 014 | 267175-0 | FLAT WASHER 24 | | 1 | | | | |
| 015 | 253343-1 | THIN WASHER 18 | | 2 | | | | |
| 016 | 232615-7 | COMPRESSION SPRING 25 | | 1 | | | | |
| 017 | 232637-7 | COMPRESSION SPRING 18 | | 1 | | | | |
| 018 | 216011-7 | STEEL BALL 5.6 | | 2 | | | | |
| 019 | 227338-0 | SPUR GEAR 22 | | 3 | | | | |
| 020 | 327573-1 | SPINDLE | | 1 | | | | |
| 021 | 268311-1 | PIN 5 | | 3 | | | | |
| 022 | 233910-8 | RING SPRING 43 | | 1 | | | | |
| 023 | 227337-2 | INTERNAL GEAR 51 | | 1 | | | | |
| 024 | 213785-1 | O-RING 49 | | 1 | | | | |
| 025 | 140W14-6 | INTERNAL GEAR CASE COMPLETE | | 1 | | | | |
| 026 | 266490-9 | TAPPING SCREW PT 2X6 | | 3 | | | | |
| 027 | 652069-6 | FLAT HEAD SCREW M3X6 | | 3 | | | | |
| 028 | 629A13-4 | STATOR | | 1 | | | | |
| 029 | 620D69-8 | CONTROLLER | | 1 | | | | |
| 030 | 619626-3 | ROTOR | | 1 | | | | |
| 031 | 412821-2 | REAR COVER | | 1 | | | | |
| 032 | 266130-9 | TAPPING SCREW BIND PT 3X16 | | 2 | | | | |
| 033 | 620521-2 | LED CIRCUIT | | 1 | | | | |
| 034 | 455053-8 | F/R CHANGE LEVER | | 1 | | | | |
| 035 | 651442-7 | SWITCH C3JR-1A-1 | | 1 | | | | |
| 036 | 632P49-4 | TERMINAL UNIT | | 1 | | | | |

Model No.TW004G CORDLESS IMPACT WRENCH

| Item | Parts No. | Description | I/C | Qty | New/Old | Opt. 1 | Opt. 2 | Note |
|------|-----------|--------------------------------|-----|-----|---------|--------|--------|------|
| 037 | 857P18-6 | TW004G SERIAL NO. LABEL | | 1 | | | | |
| 038 | 140W19-6 | SWITCH PLATE COMPLETE | | 1 | | | | |
| C10 | 8020J3-8 | SWITCH LABEL | | 1 | | | | |
| 039 | 183R16-9 | HOUSING SET | | 1 | | | | |
| C10 | 263005-3 | RUBBER PIN 6 | | 2 | | | | |
| C20 | 263032-0 | RUBBER PIN 4 | | 2 | | | | |
| C30 | 252126-6 | HEX. LOCK NUT M4-7 | | 2 | | | | |
| D10 | | INC. 8 | | | | | | |
| 041 | 8007R2-2 | XGT LOGO LABEL | | 1 | | | | |
| A01 | 266622-8 | + TRUSS HEAD SCREW M4X12 | | 1 | | | | |
| A02 | 346317-0 | HOOK | | 1 | | | | |
| A03B | 412393-7 | BATTERY COVER | | 1 | | | | |
| A04B | 191B26-6 | BATTERY BL4040 SET | | 2 | | | | |
| A05B | ***DC40RA | DC40RA FAST CHARGER | | 1 | | | | |
| D10 | | COMPO-PARTS | | | | | | |
| A06B | 821550-0 | CONNECTOR PLASTIC CASE (TYPE2) | | 1 | | | | |
| C10 | 453974-8 | LATCH | | 4 | | | | |
| A07B | 8021P0-2 | TW004GM202 MODEL NO. LABELBEL | | 1 | | | | |
| A09B | 835R29-3 | INNER TRAY | | 1 | | | | |

Please order the parts with part number.

Print Date 2/7/2020