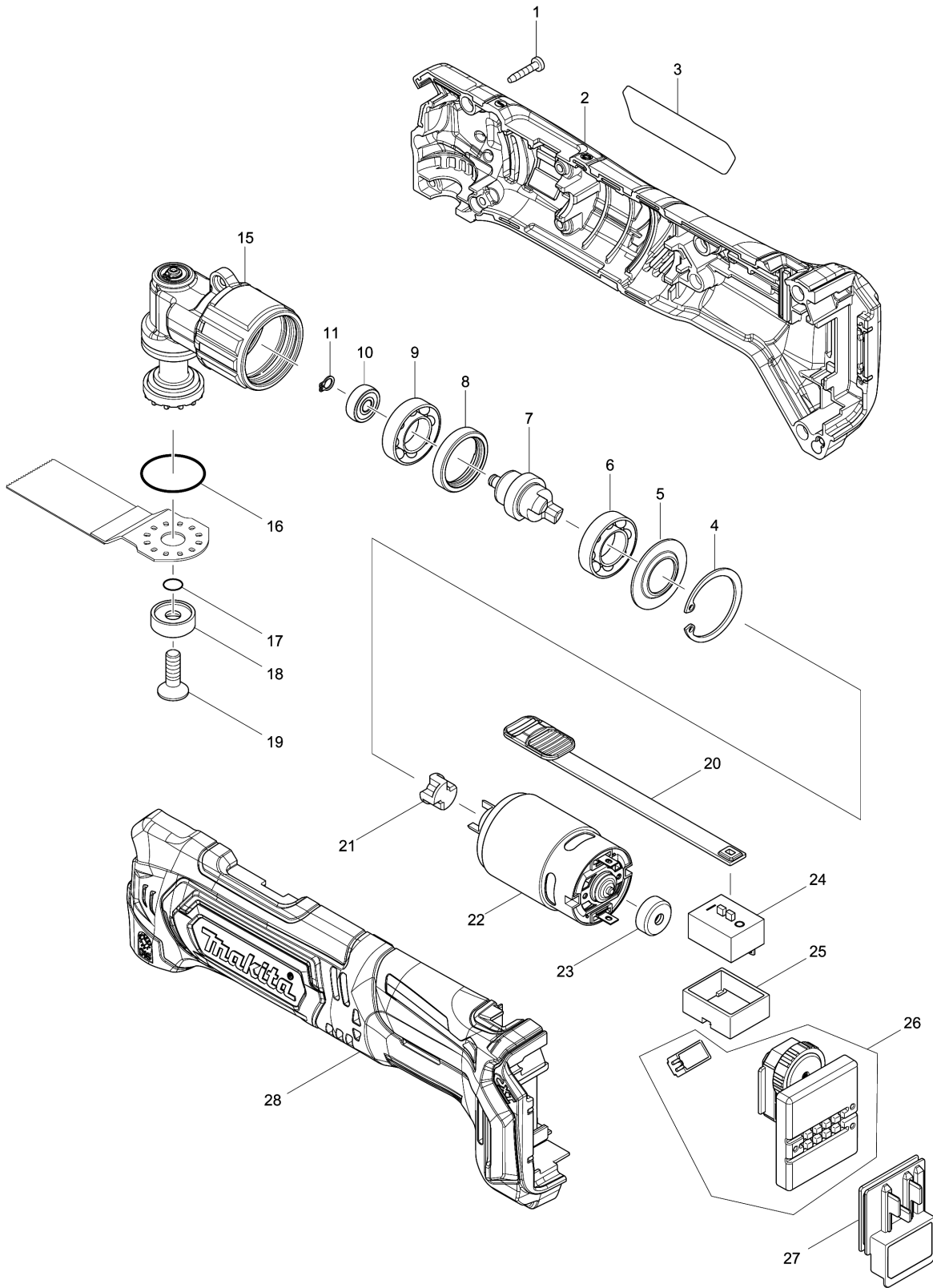


Model No.TM30D CORDLESS MULTI TOOL



Model No.TM30D CORDLESS MULTI TOOL

| Item  | Parts No. | Description                     | I/C | Qty | New/Old | Opt. 1 | Opt. 2 | Note |
|-------|-----------|---------------------------------|-----|-----|---------|--------|--------|------|
| 001   | 266429-2  | TAPPING SCREW 3X16              |     | 12  |         |        |        |      |
| 002   | 183E32-3  | MOTOR HOUSING SET               |     | 1   |         |        |        |      |
| C10   | 263039-6  | RUBBER PIN 4                    |     | 3   |         |        |        |      |
| C20   | 424859-5  | CUSHION                         |     | 2   |         |        |        |      |
| D10   |           | INC. 28                         |     |     |         |        |        |      |
| 003   | 852E52-5  | TM30D NAME PLATE                |     | 1   | *       |        |        |      |
| 003-1 | 852E51-7  | TM30D NAME PLATE                | <   | 1   |         |        |        |      |
| 004   | 962151-6  | RETAINING RING R-32             |     | 1   |         |        |        |      |
| 005   | 253368-5  | WASHER 16                       |     | 1   |         |        |        |      |
| 006   | 210147-4  | BALL BEARING 6902               |     | 1   |         |        |        |      |
| 007   | 326719-6  | CRANK SHAFT                     |     | 1   |         |        |        |      |
| 008   | 456788-4  | SPACER 21                       |     | 1   |         |        |        |      |
| 009   | 210147-4  | BALL BEARING 6902               |     | 1   |         |        |        |      |
| 010   | 210144-0  | SPHERE BEARING 505              |     | 1   |         |        |        |      |
| 011   | 961008-8  | RETAINING RING S-5              |     | 1   |         |        |        |      |
| 015   | 144085-7  | CRANK HOUSING COMPLETE          |     | 1   |         |        |        |      |
| 016   | 213987-9  | O-RING 25                       |     | 1   |         |        |        |      |
| 017   | 213021-5  | O RING 5                        |     | 1   | *       |        |        |      |
| 018   | 224455-7  | OUTER FLANGE 22                 |     | 1   | *       |        |        |      |
| 019   | 266783-4  | HEX.SOCKET C.S.H.SCREW<br>M6X20 |     | 1   | *       |        |        |      |
| 019-1 | 265674-6  | HEX. SOKCET HEAD BOLT<br>M6X14  | S   | 1   |         |        |        |      |
| 020   | 456791-5  | SWITCH KNOB                     |     | 1   |         |        |        |      |
| 021   | 424833-3  | SPACER                          |     | 1   |         |        |        |      |
| 022   | 629221-1  | DC MOTOR                        |     | 1   |         |        |        |      |
| 023   | 424467-2  | CAP                             |     | 1   |         |        |        |      |
| 024   | 651610-2  | SWITCH                          |     | 1   |         |        |        |      |
| 025   | 424860-0  | SWITCH COVER                    |     | 1   |         |        |        |      |
| 026   | 620522-0  | CONTROLLER                      |     | 1   |         |        |        |      |
| C10   | 620543-2  | LED CIRCUIT                     |     | 1   |         |        |        |      |
| 027   | 644813-5  | TERMINAL                        |     | 1   |         |        |        |      |
| 028   | 183E32-3  | MOTOR HOUSING SET               |     | 1   |         |        |        |      |
| C10   | 263039-6  | RUBBER PIN 4                    |     | 3   |         |        |        |      |
| C20   | 424859-5  | CUSHION                         |     | 2   |         |        |        |      |
| D10   |           | INC. 2                          |     |     |         |        |        |      |
| A01   | 783233-9  | HEX. WRENCH 5                   |     | 1   |         |        |        |      |

Please order the parts with part number.

Print Date 31/3/2020