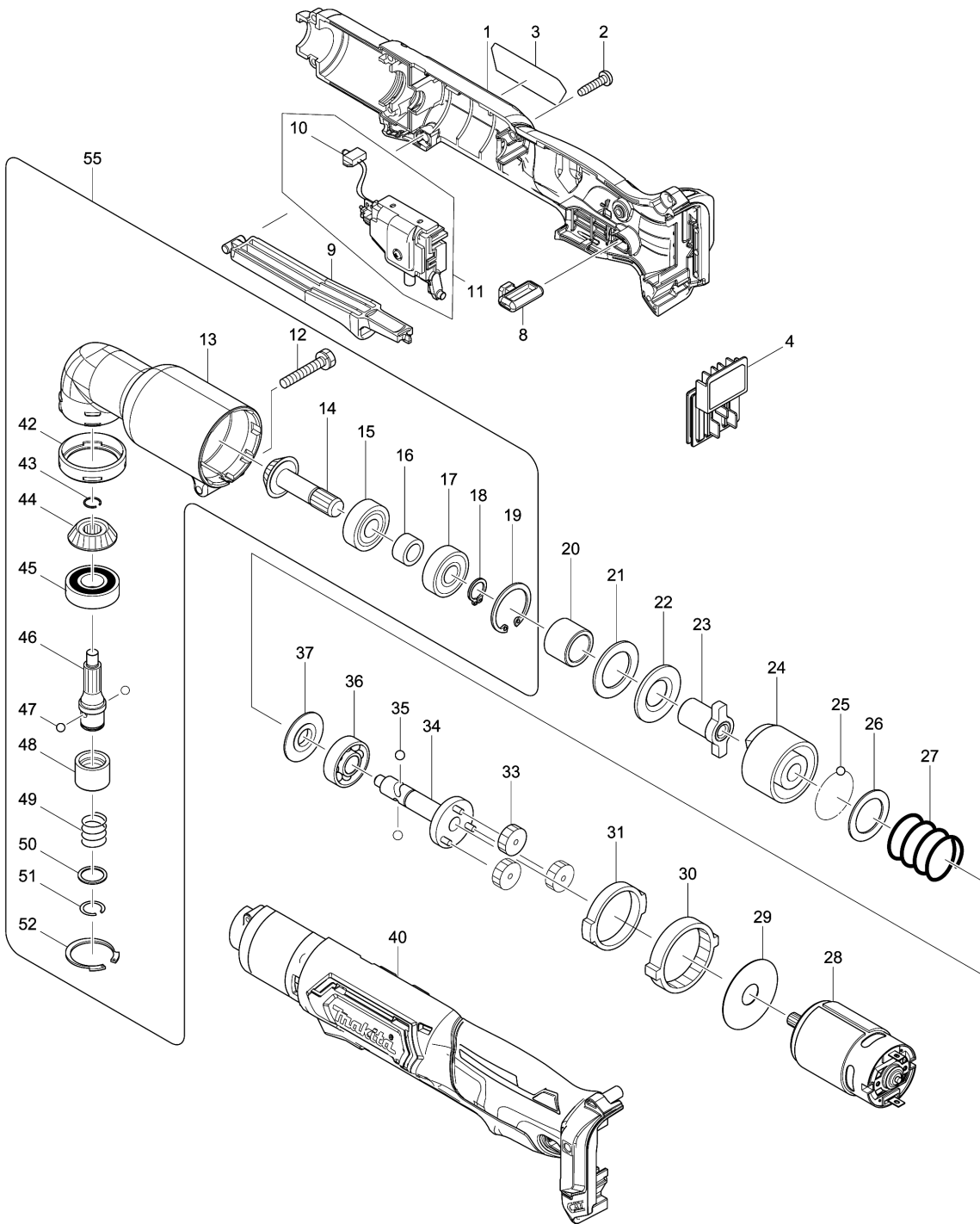


Model No.TL064D CORDLESS ANGLE IMPACT DRIVER



Model No.TL064D CORDLESS ANGLE IMPACT DRIVER

Item	Parts No.	Description	I/C	Qty	New/Old	Opt. 1	Opt. 2	Note
001	183G43-0	HOUSING SET		1				
C10	252126-6	HEX. LOCK NUT M4-7		2				
D10		INC. 40						
002	266130-9	TAPPING SCREW BIND PT 3X16		8				
003	853G87-1	TL064D NAME PLATE		1				
004	644813-5	TERMINAL		1				
008	450126-2	FR CHANGE LEVER		1				
009	450125-4	SWITCH LEVER		1				
010	620690-9	LED CIRCUIT		1				
011	632K57-5	SWITCH UNIT		1				
D10		INC. 10						
012	265409-5	+ HEX. BOLT M5X30		1				
013	152461-1	ANGLE HEAD COMPLETE		1				
014	226720-0	ZEROL BEVEL GEAR 13		1				
015	210067-2	BALL BEARING 6000ZZ		1				
016	257428-5	SLEEVE 10		1				
017	210067-2	BALL BEARING 6000ZZ		1				
018	961006-2	RETAINING RING S-10		1				
019	962105-3	RETAINING RING R-26		1				
020	257429-3	SLEEVE 15		1				
021	261095-0	RUBBER WASHER 21		1				
022	267120-5	FLAT WASHER 15		1				
023	322689-7	ANVIL		1	*			
023-1	327000-8	ANVIL	O	1				
024	322688-9	HAMMER		1	*			
024-1	326999-4	HAMMER	O	1				
025	216001-0	STEEL BALL 3.5		22				
026	267121-3	FLAT WASHER 20		1				
027	233107-9	COMPRESSION SPRING 22		1				
028	629273-2	DC MOTOR		1				
029	267053-4	FLAT WASHER 12		1				
030	226280-2	INTERNAL GEAR 69		1				
031	257187-1	RING 32		1				
033	226279-7	SPUR GEAR 29		3				
034	154416-2	SPINDLE COMPLETE		1	*			
034-1	140K00-5	SPINDLE COMPLETE	O	1				
035	216002-8	STEEL BALL 4.8		2				
036	211472-6	BALL BEARING 6000		1				
037	322719-4	WASHER 10		1				
040	183G43-0	HOUSING SET		1				
C10	252126-6	HEX. LOCK NUT M4-7		2				
D10		INC. 1						

Please order the parts with part number.

Print Date 31/3/2020

Model No.TL064D CORDLESS ANGLE IMPACT DRIVER

Item	Parts No.	Description	I/C	Qty	New/Old	Opt. 1	Opt. 2	Note
042	424044-0	RUBBER RING 32		1				
043	231990-8	RING SPRING 9		1				
044	226721-8	ZEROL BEVEL GEAR 13		1				
045	211131-2	BALL BEARING 6001DDW		1				
046	323920-4	SPINDLE M		1				
047	216001-0	STEEL BALL 3.5		2				
048	326997-8	SLEEVE		1				
049	233005-7	COMPRESSION SPRING 13		1				
050	267085-1	FLAT WASHER 12		1				
051	231951-8	RING SPRING 11		1				
052	962116-8	RETAINING RING R-28		1				
055	135892-9	ANGLE HEAD ASSY		1				
D10		INC. 12-19,42-52						
A01	266622-8	+ TRUSS HEAD SCREW M4X12		1				
A02	346909-5	HOOK		1				
A04B	456128-6	BATTERY COVER		1				
A05B	***DC10SA	DC10SA BATTERY CHARGER		1	*			
A05-1B	***DC10SB	DC10SB BATTERY CHARGER	<	1				
A06B	197394-3	BATTERY BL1020B SET		2	*			
A06-1B	197396-9	BATTERY BL1021B SET	<	2	*			
A06-2B	197396-9	BATTERY BL1021B SET	O	2				
A07B	821549-5	CONNECTOR PLASTIC CASE (TYPE1)		1				
C10	453974-8	LATCH		4				
A08B	812Y27-6	TL064DSAJ PLASTIC CASE LABEL		2				
A09B	812Y26-8	TL064DSAJ INDICATION LABEL		1				
A10B	839287-5	INNER TRAY		1				

Please order the parts with part number.

Print Date 31/3/2020