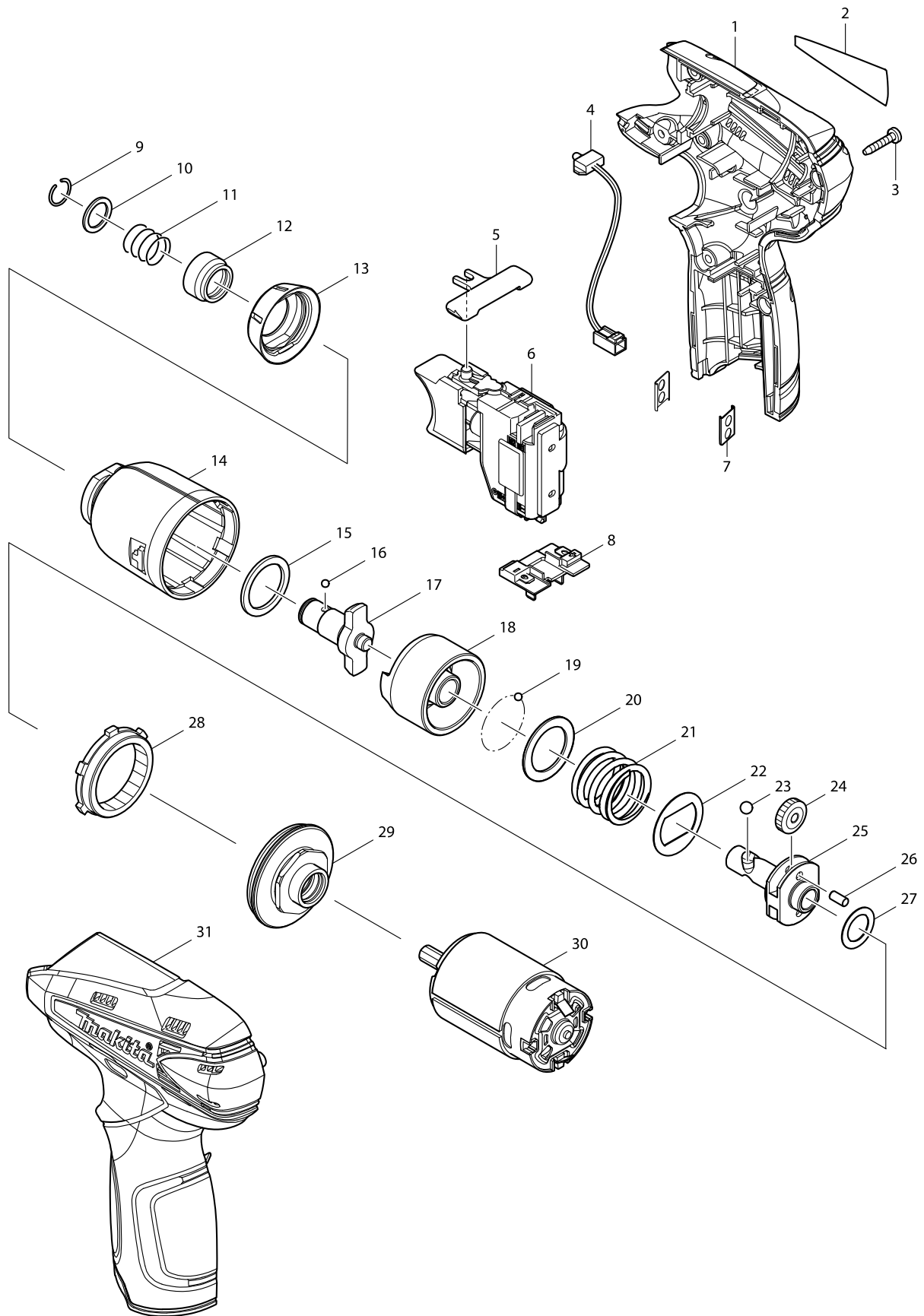


Model No. TD090D CORDLESS IMPACT DRIVER



Model No. TD090D CORDLESS IMPACT DRIVER

Item	Parts No.	Description	I/C	Qty	N/O	Opt. 1	Opt. 2	Note
001A	188497-4	HOUSING SET		1	*			
D10		INC. 31			*			
001C	188497-4	HOUSING SET		1	*			
D10		INC. 31			*			
001-1A	187160-6	HOUSING SET	X	1				
D10		INC. 31						
001-1C	187160-6	HOUSING SET	X	1				
D10		INC. 31						
001-1D	187160-6	HOUSING SET		1				
D10		INC. 31						
001-1E	187160-6	HOUSING SET		1				
D10		INC. 31						
002	865121-3	TD090D NAME PLATE		1				
003	266130-9	TAPPING SCREW BIND PT 3X16		6				
004A	631813-4	LED CIRCUIT		1	*			
004C	631813-4	LED CIRCUIT		1	*			
005	450504-6	F/R CHANGE LEVER		1				
006A	650599-1	SWITCH C3HY-1A-LM		1	*			
006C	650599-1	SWITCH C3HY-1A-LM		1	*			
006-1A	650645-0	SWITCH C3HY-1A-LF1M	<	1	*			
006-1C	650645-0	SWITCH C3HY-1A-LF1M	<	1	*			
006-1D	650645-0	SWITCH C3HY-1A-LF1M		1	*			
006-2A	650699-7	SWITCH C3HW-3A-LF1M	X	1				
006-2C	650699-7	SWITCH C3HW-3A-LF1M	X	1				
006-2D	650699-7	SWITCH C3HW-3A-LF1M	X	1				
006-2E	650699-7	SWITCH C3HW-3A-LF1M		1				
007	345998-7	SET PLATE		2				
008	643830-2	TERMINAL		1				
009	231965-7	RING SPRING 10		1				
010	267143-3	FLAT WASHER 11		1				
011	233005-7	COMPRESSION SPRING 13		1				
012	324711-6	BIT SLEEVE		1				
013	424109-8	BUMPER		1				
014	158670-0	HAMMER CASE COMPLETE		1				
015	261140-1	NYLON WASHER 20		1				
016	216019-1	STEEL BALL 3		2				
017	324895-0	ANVIL M		1				
018	324894-2	HAMMER		1				
019	216019-1	STEEL BALL 3		24				
020	267380-9	FLAT WASHER 20		1				
021	234064-4	COMPRESSION SPRING 21		1				
022	267813-4	WASHER 21		1				
023	216002-8	STEEL BALL 4.8		2				
024	227213-0	SPUR GEAR 17		2				
025	324897-6	SPINDLE		1				
026	268217-3	PIN 3.5		2				
027	253052-2	FLAT WASHER 12		1				
028	227215-6	INTERNAL GEAR 43		1				

Model No. TD090D CORDLESS IMPACT DRIVER

Item	Parts No.	Description	I/C	Qty	N/O	Opt. 1	Opt. 2	Note
029	158671-8	BEARING BOX COMPLETE		1				
C10	210112-3	BALL BEARING 6801LLB		1				
C20	213188-9	O-RING 13		1				
030	629851-8	DC MOTOR		1				
031A	188497-4	HOUSING SET		1	*			
D10		INC. 1			*			
031C	188497-4	HOUSING SET		1	*			
D10		INC. 1			*			
031-1A	187160-6	HOUSING SET	X	1				
D10		INC. 1						
031-1C	187160-6	HOUSING SET	X	1				
D10		INC. 1						
031-1D	187160-6	HOUSING SET		1				
D10		INC. 1						
031-1E	187160-6	HOUSING SET		1				
D10		INC. 1						
032	533020-4	LEAD ASS'Y		1				
033	533019-9	LEAD ASS'Y		1				
A01A	168467-9	HOLSTER		1				
A01D	168467-9	HOLSTER		1				
A01E	168467-9	HOLSTER		1				
A02A	***DC10WA	DC10WA BATTERY CHARGER		1				
A02D	***DC10WA	DC10WA BATTERY CHARGER		1				
A02E	***DC10WA	DC10WA BATTERY CHARGER		1				
A03A	194550-6	BATTERY BL1013 SET		2				
A03D	194550-6	BATTERY BL1013 SET		3				
A03E	194550-6	BATTERY BL1013 SET		2				
A04	784244-7	+ BIT 2-50		1				
A05A	824781-0	PLASTIC CASE		1				
A05D	824781-0	PLASTIC CASE		1				
A05E	824781-0	PLASTIC CASE		1				
A06A	824842-6	PLASTIC CARRYING CASE		1	*			
C10	417724-5	LATCH		2	*			
A06D	824842-6	PLASTIC CARRYING CASE		1	*			
C10	417724-5	LATCH		2	*			
A06E	821549-5	CONNECTOR PLASTIC CASE (TYPE1)		1	*			
C10	453974-8	LATCH		4	*			
A06-1A	141104-0	PLASTIC CARRYING CASE COMPLETE	<	1				
C10	417724-5	LATCH		2				
A06-1D	141104-0	PLASTIC CARRYING CASE COMPLETE	<	1				
C10	417724-5	LATCH		2				
A06-1E	821549-5	CONNECTOR PLASTIC CASE (TYPE1)	<	1				
C10	453974-8	LATCH		4				
A07E	837663-7	INNER TRAY		1	*			
A07-1E	837866-3	INNER TRAY	<	1				
A08E	800Y80-4	TD090DWJ INDICATION LABEL		1				
A09E	800Y81-2	TD090DWJ PLASTIC CASE LABEL		2				
E01A	638929-6	LINE FILTER UNIT		1				

