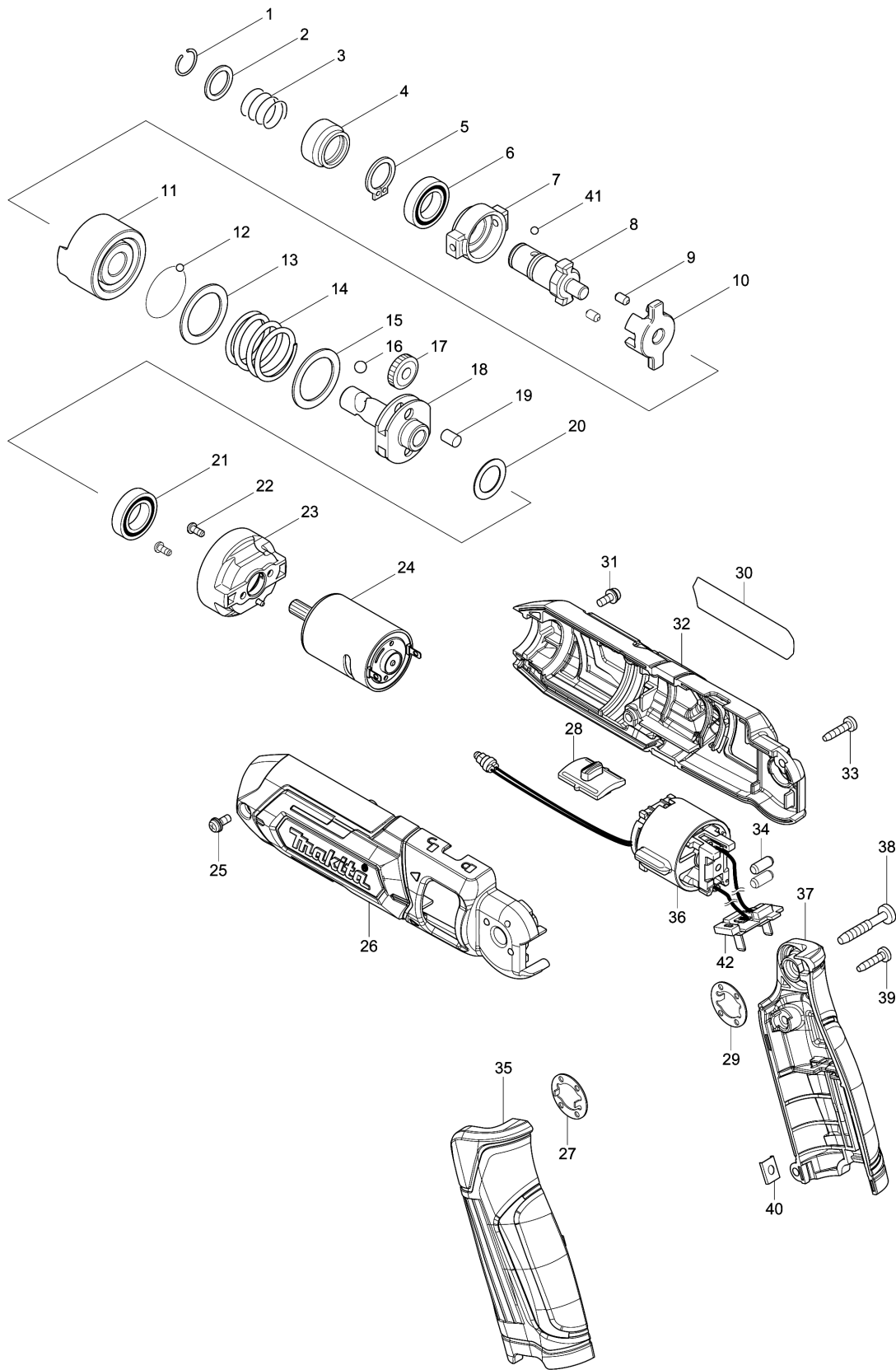


Model No.TD022D CORDLESS IMPACT DRIVER



Model No.TD022D CORDLESS IMPACT DRIVER

Item	Parts No.	Description	I/C	Qty	New/Old	Opt. 1	Opt. 2	Note
001	231965-7	RING SPRING 10		1				
002	267143-3	FLAT WASHER 11		1				
003	233005-7	COMPRESSION SPRING 13		1				
004	324711-6	BIT SLEEVE		1				
005	961072-9	RETAINING RING S-12		1				
006	210108-4	BALL BEARING 6801LLU		1				
007	313136-9	LOCK RING		1				
008	324717-4	SPINDLE M		1				
009	268160-6	PIN 3.5		2				
010	324713-2	ANVIL		1				
011	324714-0	HAMMER		1				
012	216019-1	STEEL BALL 3		23				
013	267335-4	FLAT WASHER 20		1				
014	233481-5	COMPRESSION SPRING 20		1				
015	267335-4	FLAT WASHER 20		1				
016	216002-8	STEEL BALL 4.8		2				
017	227173-6	SPUR GEAR 27		2				
018	324715-8	SPINDLE		1				
019	268161-4	PIN 5		2				
020	253052-2	FLAT WASHER 12		1				
021	210108-4	BALL BEARING 6801LLU		1				
022	265172-0	+PAN HEAD SCREW M2.6X6		2				
023	451522-7	INTERNAL GEAR CASE		1				
024	629237-6	DC MOTOR		1				
025	265173-8	PAN HEAD SCREW M3X8		1				
026	183F00-2	MOTOR HOUSING SET		1				
D10		INC. 32						
027	267803-7	LOCK WASHER		1				
028	451523-5	LOCK LEVER		1				
029	267803-7	LOCK WASHER		1				
030	852V05-6	TD022D NAME PLATE		1				
031	265173-8	PAN HEAD SCREW M3X8		1				
032	183F00-2	MOTOR HOUSING SET		1				
D10		INC. 26						
033	266404-8	TAPPING SCREW BIND 3X14		3				
034	263027-3	RUBBER PIN 4		2				
035	183E72-1	HANDLE SET		1				
D10		INC. 37						
036	632H09-8	SWITCH UNIT		1				
C10	688161-2	LINE FILTER		1				
037	183E72-1	HANDLE SET		1				
D10		INC. 35						

Model No.TD022D CORDLESS IMPACT DRIVER

Item	Parts No.	Description	I/C	Qty	New/Old	Opt. 1	Opt. 2	Note
038	266374-1	TAPPING SCREW 4X25		1				
039	266404-8	TAPPING SCREW BIND 3X14		2				
040	345749-8	SET PLATE		2				
041	216019-1	STEEL BALL 3		2				
042	643817-4	TERMINAL		1				
A01	784244-7	+ BIT 2-50		1				
A02	168435-2	HOLSTOR		1				
A03	821549-5	CONNECTOR PLASTIC CASE (TYPE1)		1				
C10	453974-8	LATCH		4				
A04	***DC10WA	DC10WA BATTERY CHARGER		1				
D10		COMPO-PARTS						
A05	198000-3	BATTERY BL0715 SET		2				
A06	810Y94-5	TD022DSJ INDICATION LABEL		1				
A07	810Y95-3	TD022DSJ PLASTIC CASE LABEL		2	*			
A07-1	810Y96-1	TD022DSJ PLASTIC CASE LABEL	O	2				
A08	837871-0	INNER TRAY		1				

Please order the parts with part number.

Print Date 31/3/2020