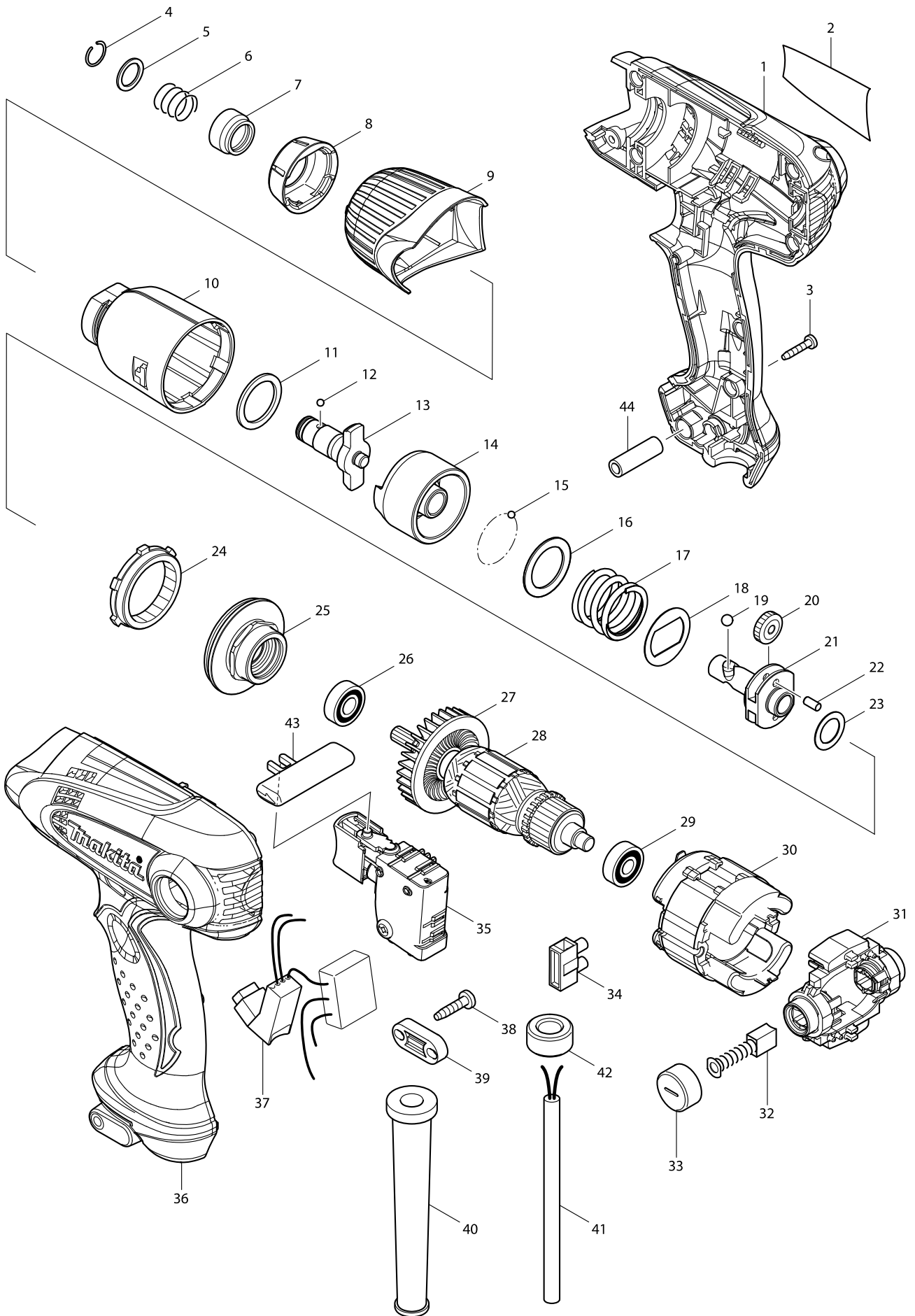


Model No. TD0101F IMPACT DRIVER



Model No. TD0101F IMPACT DRIVER

| Item | Parts No. | Description | I/C | Qty | N/O | Opt. 1 | Opt. 2 | Note |
|-------|-----------|-----------------------|-----|-----|-----|--------|--------|------|
| 001 | 188664-1 | HOUSING SET | | 1 | | | | |
| C10 | 263002-9 | RUBBER PIN 4 | | 4 | | | | |
| D10 | | INC. 36 | | | | | | |
| 002 | 866417-5 | TD0101F NAME PLATE | | 1 | | | | |
| 003 | 266429-2 | TAPPING SCREW 3X16 | | 8 | | | | |
| 004 | 231965-7 | RING SPRING 10 | | 1 | | | | |
| 005 | 267143-3 | FLAT WASHER 11 | | 1 | | | | |
| 006 | 233005-7 | COMPRESSION SPRING 13 | | 1 | | | | |
| 007 | 324711-6 | BIT SLEEVE | | 1 | | | | |
| 008 | 424184-4 | BUMPER | | 1 | * | | | |
| 008-1 | 424376-5 | BAMPER | S | 1 | | | | |
| 009 | 450976-5 | HAMMER CASE COVER | | 1 | * | | | |
| 009-1 | 452440-2 | HAMMER CASE COVER | S | 1 | | | | |
| 010 | 158898-0 | HAMMER CASE COMPLETE | | 1 | | | | |
| C10 | 213166-9 | O RING 12.5 | | 1 | | | | |
| C20 | 253798-0 | FLAT WASHER 13 | | 1 | | | | |
| C30 | 257776-2 | SLEEVE 12 | | 1 | | | | |
| 011 | 261140-1 | NYLON WASHER 20 | | 1 | | | | |
| 012 | 216019-1 | STEEL BALL 3 | | 2 | | | | |
| 013 | 325619-7 | ANVIL M | | 1 | * | | | |
| 013-1 | 326630-2 | ANVIL M | O | 1 | | | | |
| 014 | 324894-2 | HAMMER | | 1 | | | | |
| 015 | 216019-1 | STEEL BALL 3 | | 24 | | | | |
| 016 | 267380-9 | FLAT WASHER 20 | | 1 | | | | |
| 017 | 234096-1 | COMPRESSION SPRING 21 | | 1 | | | | |
| 018 | 267813-4 | WASHER 21 | | 1 | | | | |
| 019 | 216002-8 | STEEL BALL 4.8 | | 2 | | | | |
| 020 | 227213-0 | SPUR GEAR 17 | | 2 | | | | |
| 021 | 324897-6 | SPINDLE | | 1 | | | | |
| 022 | 268217-3 | PIN 3.5 | | 2 | | | | |
| 023 | 253052-2 | FLAT WASHER 12 | | 1 | | | | |
| 024 | 227215-6 | INTERNAL GEAR 43 | | 1 | | | | |
| 025 | 158899-8 | BEARING BOX COMPLETE | | 1 | | | | |
| C10 | 210112-3 | BALL BEARING 6801LLB | | 1 | | | | |
| C20 | 213325-5 | O RING 19 | | 1 | | | | |
| 026 | 210013-5 | BALL BEARING 698VV | | 1 | | | | |
| 027 | 240046-6 | FAN 46 | | 1 | | | | |
| 028 | 517659-1 | ARMATURE ASS'Y 240V | | 1 | | | | |
| D10 | | INC. 26,27,29 | | | | | | |
| 029 | 210062-2 | BALL BEARING 607ZZ | | 1 | | | | |
| 030 | 635109-5 | FIELD 240V | | 1 | | | | |
| 031 | 638643-4 | HOLDER ARM COMPLETE | | 1 | | | | |
| C10 | 643981-1 | BRUSH HOLDER 6X9 | | 2 | | | | |
| 032 | 191940-4 | CARBON BRUSH CB-411 | | 1 | | | | |
| 033 | 643928-5 | BRUSH HOLDER CAP | | 2 | | | | |
| 034 | 654532-5 | TERMINAL BLOCK 1P | | 1 | | | | |
| 035 | 650613-3 | SWITCH C3TA | | 1 | | | | |
| 036 | 188664-1 | HOUSING SET | | 1 | | | | |

Model No. TD0101F IMPACT DRIVER

| Item | Parts No. | Description | I/C | Qty | N/O | Opt. 1 | Opt. 2 | Note |
|------|-----------|-----------------------------|-----|-----|-----|--------|--------|------|
| C10 | 263002-9 | RUBBER PIN 4 | | 4 | | | | |
| D10 | | INC. 1 | | | | | | |
| 037 | 631873-6 | LIGHT CIRCUIT | | 1 | | | | |
| 038 | 266326-2 | TAPPING SCREW 4X18 | | 2 | | | | |
| 039 | 687124-5 | STRAIN RELIEF | | 1 | | | | |
| 040 | 682566-8 | CORD GUARD 10 | | 1 | | | | |
| 041 | 665865-3 | POWER SUPPLY CORD 1.0-2-2.5 | | 1 | | | | |
| 043 | 419250-0 | F/R CHANGE LEVER | | 1 | | | | |
| 044 | 262560-2 | SLEEVE 5 | | 1 | | | | |
| A01 | 784244-7 | + BIT 2-50 | | 1 | | | | |
| | | | | | | | | |
| | | | | | | | | |
| | | | | | | | | |
| | | | | | | | | |
| | | | | | | | | |
| | | | | | | | | |
| | | | | | | | | |
| | | | | | | | | |
| | | | | | | | | |
| | | | | | | | | |
| | | | | | | | | |
| | | | | | | | | |
| | | | | | | | | |
| | | | | | | | | |
| | | | | | | | | |
| | | | | | | | | |
| | | | | | | | | |
| | | | | | | | | |
| | | | | | | | | |
| | | | | | | | | |
| | | | | | | | | |
| | | | | | | | | |
| | | | | | | | | |
| | | | | | | | | |
| | | | | | | | | |
| | | | | | | | | |
| | | | | | | | | |
| | | | | | | | | |
| | | | | | | | | |
| | | | | | | | | |
| | | | | | | | | |
| | | | | | | | | |
| | | | | | | | | |
| | | | | | | | | |