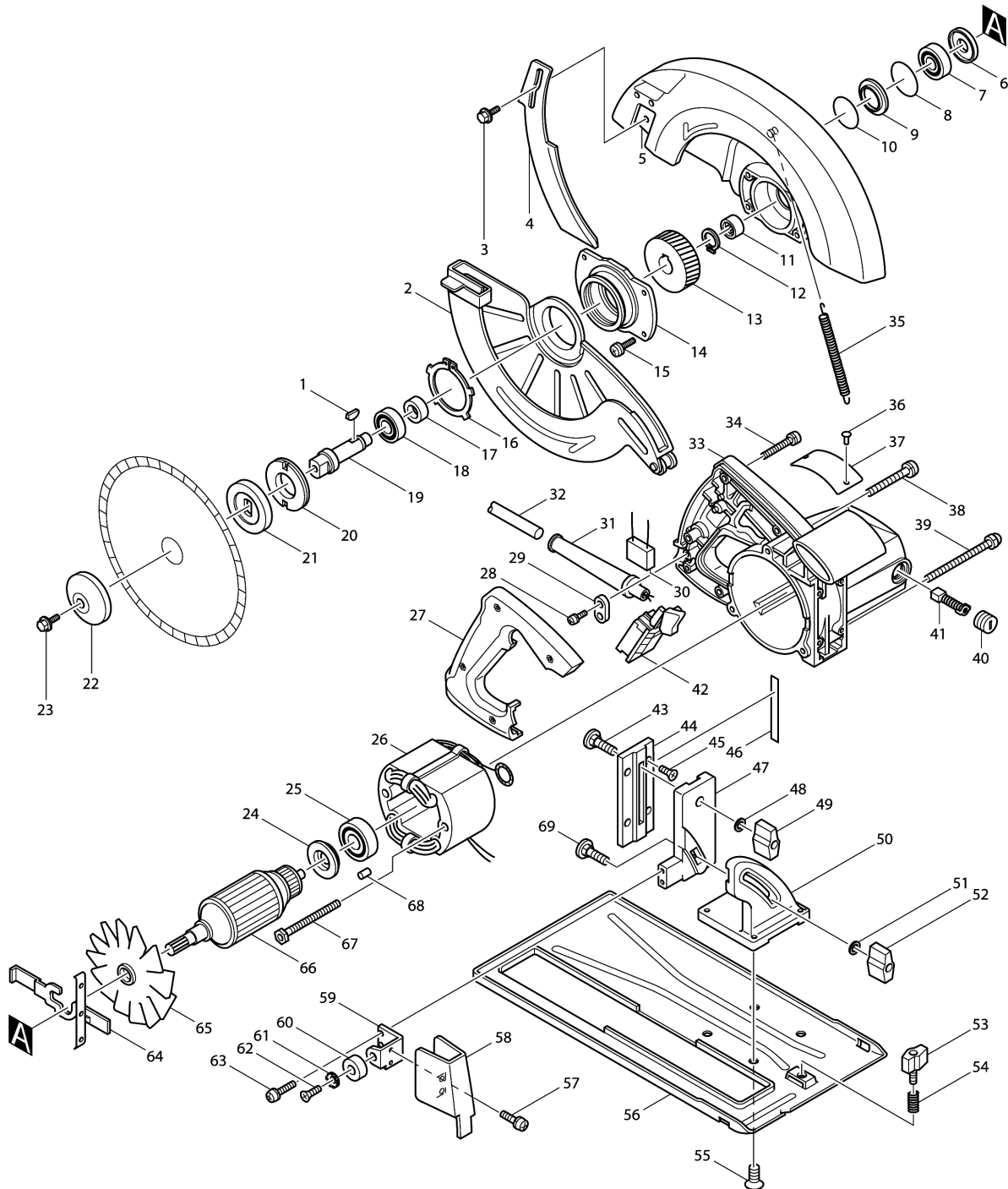


Model No.SR2600 CIRCULAR SAW 266MM



Model No.SR2600 CIRCULAR SAW 266MM

Item	Parts No.	Description	I/C	Qty	New/Old	Opt. 1	Opt. 2	Note
001	254032-1	WOODRUFF KEY 5		1				
002	168123-1	SAFETY COVER		1				
003-1	251644-1	HEX. FLANGE HEAD BOLT M8X20		2				
004	342740-7	RIVING KNIFE		1				
005	154313-2	BLADE CASE COMPLETE		1				
D10		INC. 8						
006	213102-5	DUST SEAL 12		1				
007	211106-1	BALL BEARING 6201LLB		1				
008	213459-4	O RING 32		1				
009	341736-5	WASHER 25		1				
010	213412-0	O RING 29		1				
011	212052-1	NEEDLE BEARING 1010		1				
012	961057-5	RETAINING RING S-17		1				
013	221698-2	HELICAL GEAR 50		1				
014-2	315380-4	BEARING BOX		1				
015	911231-5	PAN HEAD SCREW M5X20		4				
016-1	257920-1	TOOTH RING GT-48		1				
017	257084-1	RING 17		1				
018	211256-2	BALL BEARING 6203LLB		1				
019	321402-0	SPINDLE		1				
020	285821-3	BEARING RETAINER 22-41		1				
021-1	224223-8	INNER FLANGE 40		1	*			
021-2	224360-8	INNER FLANGE 40	O	1				
022-1	224275-9	OUTER FLANGE 40		1				
023	251644-1	HEX. FLANGE HEAD BOLT M8X20		1				
024-1	681625-5	INSULATION WASHER		1				
025	211033-2	BALL BEARING 608LB		1				
026C_	524748-5	FIELD ASS'Y 220V		1				
C10	654020-2	RING TERMINAL		2				
C20	654502-4	CONNECTOR P-2		2				
027	410233-3	HANDLE COVER		1				
028-1	911133-5	PAN HEAD SCREW M4X18		2				
029A_	687001-1	STRAIN RELIEF		1				
030F_	645200-1	NOISE SUPPRESSOR		1				
031	682505-8	CORD GUARD 10-90		1				
032M_	665516-8	POWER SUPPLY CORD 1.00- 2-2.5		1				
033C_	157539-5	MOTOR HOUSING		1				
034	911153-9	PAN HEAD SCREW M4X28		4				
035-1	231781-7	TENSION SPRING 5		1				
036	953106-2	RIVET 0-5		2				
037	854938-9	NAME PLATE SR2600		1				

Please order the parts with part number.

Print Date 4/7/2019

Model No.SR2600 CIRCULAR SAW 266MM

Item	Parts No.	Description	I/C	Qty	New/Old	Opt. 1	Opt. 2	Note
038	911273-9	PAN HEAD SCREW M5X50		2				
039	911288-6	PAN HEAD SCREW M5X65		1				
040	643650-4	BRUSH HOLDER CAP 6.5-13.5		2	*			
040-1	643650-4	BRUSH HOLDER CAP 6.5-13.5	O	2				
041B2	181048-2	A.C. CARBON BRUSH CB-155		1				
042D_	651142-9	SWITCH C3D-15CS		1				
043	265845-5	CAP SQUARE NECK BOLT M8X30		1				
044	315628-4	SLIDE PLATE		1				
045	912217-2	COUNTERSUNK HEAD SCREW M5X14		4				
046	816166-4	SCALE LABEL		1				
047-1	315629-2	ANGULAR PLATE		1				
048	941201-0	FLAT WASHER 8		1				
049	252626-6	WING NUT		1				
050	315630-7	ANGULAR GUIDE		1				
051	941201-0	FLAT WASHER 8		1				
052	252626-6	WING NUT		1				
053	251858-2	DIAL SCREW M6X15		1				
054	231316-4	COMPRESSION SPRING 7		1				
055	912212-2	COUNTERSUNK HEAD SCREW M5X12		4				
056	342649-3	BASE		1				
057	911106-8	PAN HEAD SCREW M4X8		2				
058	342742-3	FRONT GUARD		1				
059-1	342741-5	GUARD HOLDER		1				
060-1	262042-4	RUBBER RING 8		1				
061	943202-4	TOOTHED LOCK WASHER 8		1				
062	251256-0	+ COUNTERSUNK HEAD SCREW M8X20		1				
063-1	911221-8	PAN HEAD SCREW M5X16		2				
064	163207-0	SHAFT LOCK		1				
065	241317-4	FAN 100		1				
066C1	514828-5	ARMATURE ASS'Y 220V		1				
D10		INC. 24,25,65						
067-1	911300-2	PAN HEAD SCREW M5X75		2				
068	263014-2	RUBBER PIN 4		1				
069	265845-5	CAP SQUARE NECK BOLT M8X30		1				
400	792204-5	T.C.T. SAW BLADE 266		1				
401	164021-7	GUIDE RULE		1				
402	782212-4	SOCKET WRENCH 13		1				

Please order the parts with part number.

Print Date 4/7/2019