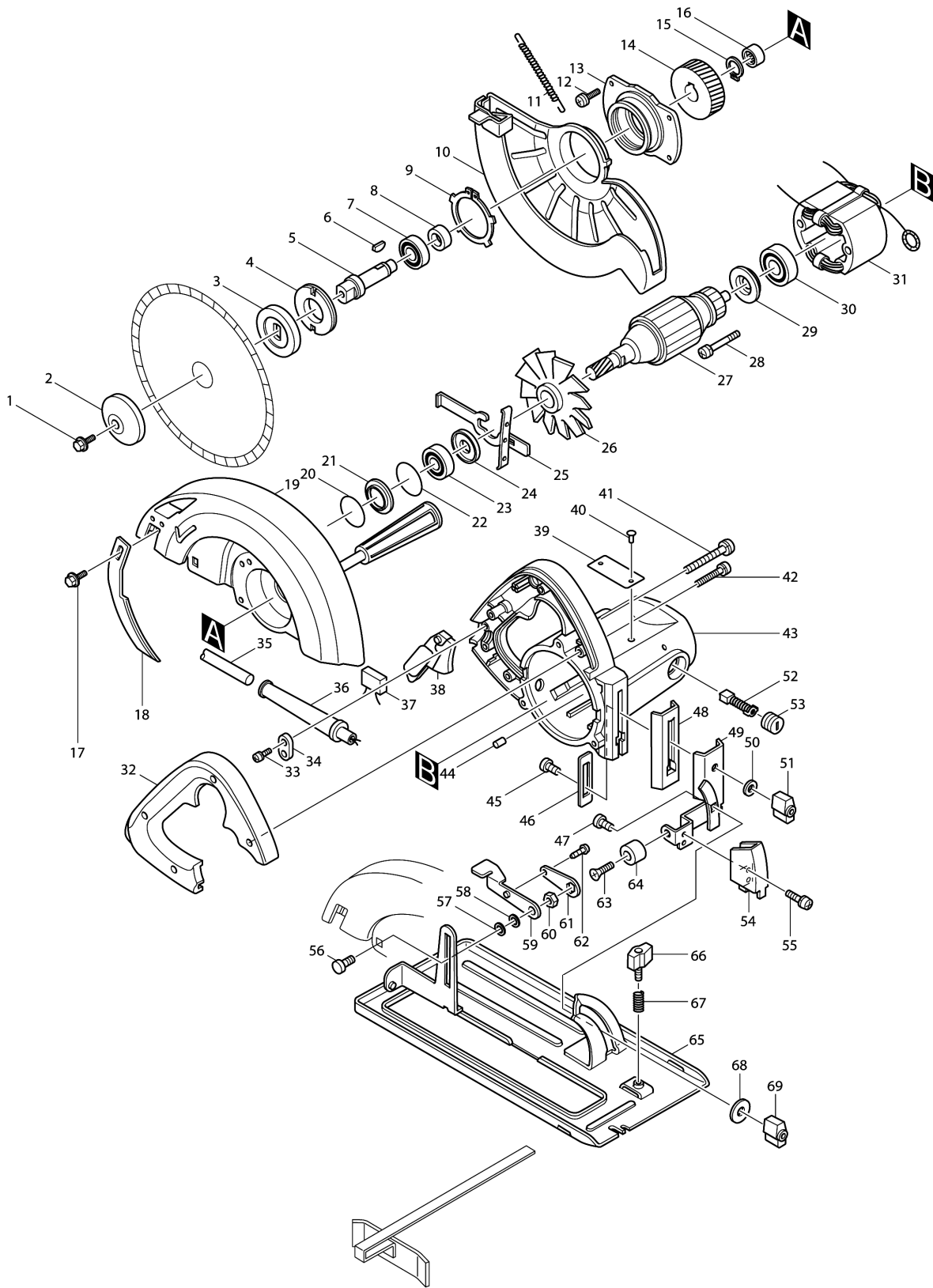


Model No.SR2300 CIRCULAR SAW 235MM



Model No.SR2300 CIRCULAR SAW 235MM

Item	Parts No.	Description	I/C	Qty	New/Old	Opt. 1	Opt. 2	Note
001	251644-1	HEX. FLANGE HEAD BOLT M8X20		1				
002-1	224275-9	OUTER FLANGE 40		1				
003-2	224223-8	INNER FLANGE 40		1	*			
003-3	224360-8	INNER FLANGE 40	O	1				
004	285821-3	BEARING RETAINER 22-41		1				
005	321402-0	SPINDLE		1				
006	254032-1	WOODRUFF KEY 5		1				
007	211256-2	BALL BEARING 6203LLB		1				
008	257084-1	RING 17		1				
009-1	257920-1	TOOTH RING GT-48		1				
010-1	164883-3	SAFETY COVER		1				
011	231753-2	TENSION SPRING 5		1	*			
011-1	231838-4	TENSION SPRING 4	O	1				
012	911231-5	PAN HEAD SCREW M5X20		4				
013-2	315380-4	BEARING BOX		1				
014	221698-2	HELICAL GEAR 50		1				
015	961057-5	RETAINING RING S-17		1				
016	212052-1	NEEDLE BEARING 1010		1				
017-1	251644-1	HEX. FLANGE HEAD BOLT M8X20		1				
018	341794-1	RIVING KNIFE		1				
019-1	154367-9	BLADE CASE COMPLETE		1				
D10		INC. 22						
020	213412-0	O RING 29		1				
021	341736-5	WASHER 25		1				
022	213459-4	O RING 32		1				
023	211106-1	BALL BEARING 6201LLB		1				
024	213102-5	DUST SEAL 12		1				
025	163113-9	SPINDLE LOCK		1				
026-1	241513-4	FAN 92		1				
027C1	514858-6	ARMATURE ASS'Y 220V		1				
D10		INC. 23,24,26,29,30						
028-1	911280-2	PAN HEAD SCREW M5X55		2				
029-2	681625-5	INSULATION WASHER		1				
030	211033-2	BALL BEARING 608LB		1				
031C_	524538-6	FIELD ASS'Y 220V		1				
C10	654020-2	RING TERMINAL		2				
C20	654502-4	CONNECTOR P-2		2				
032	411914-2	HANDLE COVER		1				
033-1	911133-5	PAN HEAD SCREW M4X18		2				
034C_	687031-2	STRAIN RELIEF		1				
035A_	665865-3	POWER SUPPLY CORD 1.0-2- 2.5		1				

Please order the parts with part number.

Print Date 4/7/2019

Model No.SR2300 CIRCULAR SAW 235MM

Item	Parts No.	Description	I/C	Qty	New/Old	Opt. 1	Opt. 2	Note
036B_	682540-6	CORD GUARD 9.3-90		1	*			
036B1	682505-8	CORD GUARD 10-90	O	1				
037B_	645208-5	NOISE SUPPRESSOR		1				
038C_	651023-7	SWITCH HPAH2-2S		1				
039	854485-0	NAME PLATE SR2300		1				
040	953106-2	RIVET 0-5		2				
041	911273-9	PAN HEAD SCREW M5X50		3				
042	911148-2	PAN HEAD SCREW M4X25		4				
043A_	156828-5	MOTOR HOUSING		1				
044-2	263014-2	RUBBER PIN 4		1				
045	251919-8	CAP SQUARE NECK BOLT M6X20		1				
046-1	343809-0	PLATE		1				
047	251919-8	CAP SQUARE NECK BOLT M6X20		1				
048-1	343860-0	DEPTH PLATE		1				
049-1	164865-5	ANGULAR PLATE		1				
050	941151-9	FLAT WASHER 6		1				
051	252624-0	WING NUT M6		1				
052B2	181048-2	A.C. CARBON BRUSH CB-155		1				
053	643650-4	BRUSH HOLDER CAP 6.5-13.5		2	*			
053-1	643650-4	BRUSH HOLDER CAP 6.5-13.5	O	2				
054	341795-9	FRONT GUARD		1				
055	911106-8	PAN HEAD SCREW M4X8		2				
056	251918-0	CAP SQUARE NECK BOLT M8X24		1				
057	941201-0	FLAT WASHER 8		1				
058	941201-0	FLAT WASHER 8		1				
059	341416-3	LEVER PLATE		1				
060	931402-8	HEX. NUT M8		1				
061	341415-5	LOCK PLATE		1				
062	911106-8	PAN HEAD SCREW M4X8		1				
063	251227-7	+ COUNTERSUNK HEAD SCREW M6X22		1				
064	262502-6	RUBBER SLEEVE 6		1				
065-1	168183-3	BASE		1				
066	251858-2	DIAL SCREW M6X15		1				
067	231316-4	COMPRESSION SPRING 7		1				
068-1	253819-8	FLAT WASHER 6		1				
069	252624-0	WING NUT M6		1				
400A_	792316-4	T.C.T. SAW BLADE 235		1	*			
400A1	A-80678	T.C.T. SAW BLADE 235X20TX30	<	1				
401	164021-7	GUIDE RULE		1				
402	782212-4	SOCKET WRENCH 13		1				

Please order the parts with part number.

Print Date 4/7/2019

Model No.SR2300 CIRCULAR SAW 235MM

Item	Parts No.	Description	I/C	Qty	New/Old	Opt. 1	Opt. 2	Note
403	273466-9	GRIP 37		1				
404	191879-1	JOINT		1				

Please order the parts with part number.

Print Date 4/7/2019