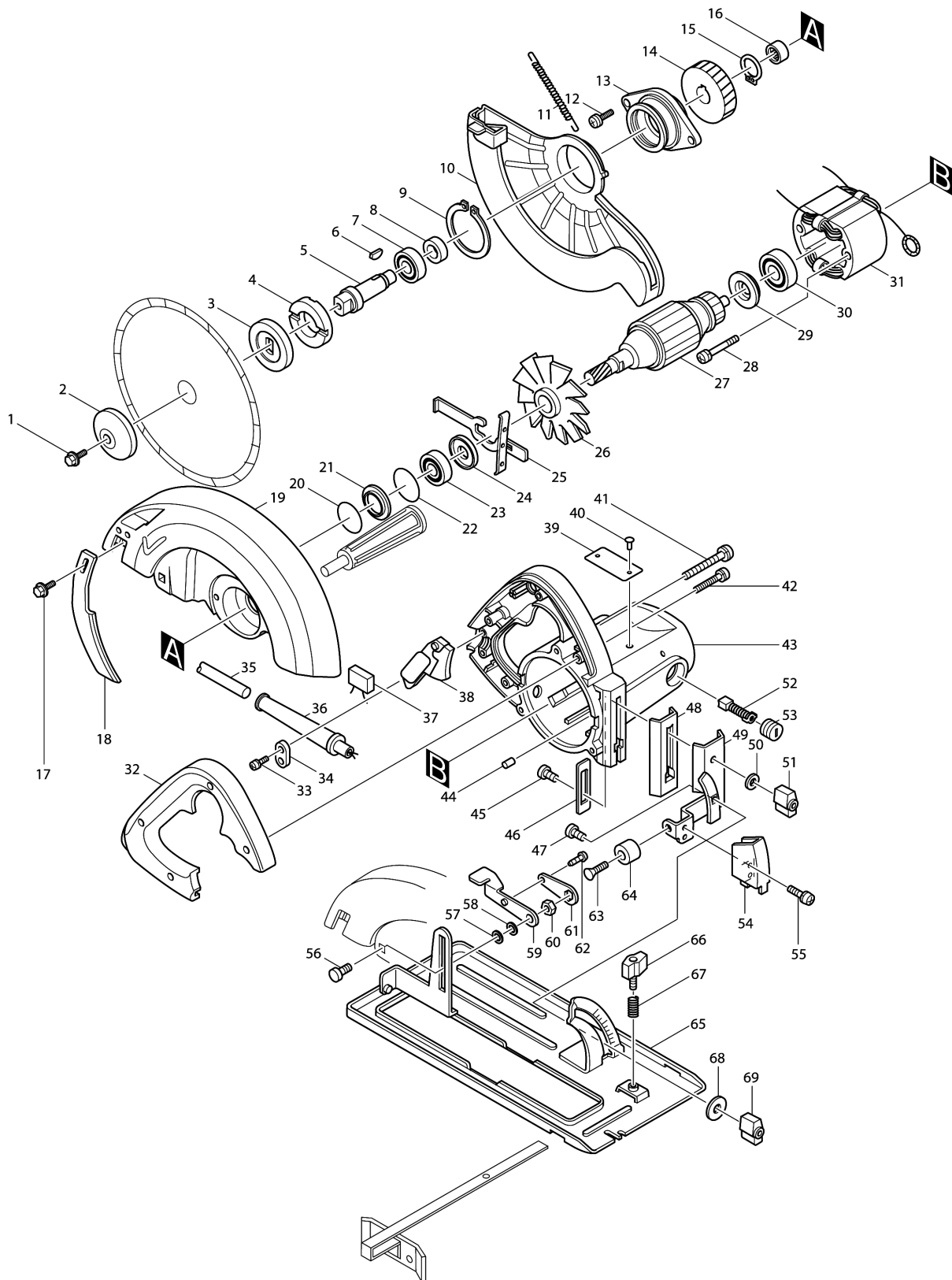


Model No.SR2100 CIRCULAR SAW 210MM



Model No.SR2100 CIRCULAR SAW 210MM

Item	Parts No.	Description	I/C	Qty	New/Old	Opt. 1	Opt. 2	Note
001	251644-1	HEX. FLANGE HEAD BOLT M8X20		1				
002-1	224275-9	OUTER FLANGE 40		1				
003-2	224223-8	INNER FLANGE 40		1	*			
003-3	224360-8	INNER FLANGE 40	X	1				
004	285807-7	BEARING RETAINER 22-36		1				
005	321060-2	SPINDLE		1	*			
005-1	323789-6	SPINDLE	X	1				
006	254032-1	WOODRUFF KEY 5		1				
007	211206-7	BALL BEARING 6202LLB		1				
008	257064-7	RING 15		1				
009	961201-4	RETAINING RING S-42		1				
010-1	164884-1	SAFETY COVER		1				
011	231753-2	TENSION SPRING 5		1	*			
011-1	231838-4	TENSION SPRING 4	O	1				
012	911231-5	PAN HEAD SCREW M5X20		2				
013	315379-9	BEARING BOX		1				
014	221687-7	HELICAL GEAR 43		1				
015	961055-9	RETAINING RING S-15		1				
016	212052-1	NEEDLE BEARING 1010		1				
017-1	251644-1	HEX. FLANGE HEAD BOLT M8X20		1				
018	341782-8	RIVING KNIFE		1				
019-2	154370-0	BLADE CASE COMPLETE		1				
020	213412-0	O RING 29		1				
021	341736-5	WASHER 25		1				
022	213459-4	O RING 32		1				
023	211106-1	BALL BEARING 6201LLB		1				
024	213102-5	DUST SEAL 12		1				
025	163113-9	SPINDLE LOCK		1				
026-1	241513-4	FAN 92		1				
027C1	514858-6	ARMATURE ASS'Y 220V		1				
D10		INC. 23,24,26,29,30						
028-1	911280-2	PAN HEAD SCREW M5X55		2				
029-2	681625-5	INSULATION WASHER		1				
030	211033-2	BALL BEARING 608LB		1				
031C_	524538-6	FIELD ASS'Y 220V		1				
C10	654020-2	RING TERMINAL		2				
C20	654502-4	CONNECTOR P-2		2				
032	411914-2	HANDLE COVER		1				
033-1	911133-5	PAN HEAD SCREW M4X18		2				
034A_	687001-1	STRAIN RELIEF		1				
035J_	665516-8	POWER SUPPLY CORD 1.00-2-2.5		1				

Please order the parts with part number.

Print Date 4/7/2019

Model No.SR2100 CIRCULAR SAW 210MM

Item	Parts No.	Description	I/C	Qty	New/Old	Opt. 1	Opt. 2	Note
036	682505-8	CORD GUARD 10-90		1				
037-1	645105-5	NOISE SUPPRESSOR		1				
038F_	651034-2	SWITCH HPAHC-2-25S		1				
039	854464-8	NAME PLATE SR2100		1				
040	953106-2	RIVET 0-5		2				
041	911273-9	PAN HEAD SCREW M5X50		3				
042	911148-2	PAN HEAD SCREW M4X25		4				
043	156827-7	MOTOR HOUSING		1				
C10	812166-2	INDICATION LABEL		1	*			
C20	643653-8	BRUSH HOLDER 6.5-13.5		2				
C30	913206-0	SET SCREW M5X8		2				
044-2	263014-2	RUBBER PIN 4		1				
045	251919-8	CAP SQUARE NECK BOLT M6X20		1				
046-1	343809-0	PLATE		1				
047	251919-8	CAP SQUARE NECK BOLT M6X20		1				
048-1	343860-0	DEPTH PLATE		1				
049	164585-1	ANGULAR PLATE		1				
050	941151-9	FLAT WASHER 6		1				
051	252624-0	WING NUT M6		1				
052B2	181048-2	A.C. CARBON BRUSH CB-155		1				
053	643650-4	BRUSH HOLDER CAP 6.5-13.5		1	*			
053-1	643650-4	BRUSH HOLDER CAP 6.5-13.5	O	1				
054	341781-0	FRONT GUARD		1				
055	911106-8	PAN HEAD SCREW M4X8		2				
056	251918-0	CAP SQUARE NECK BOLT M8X24		1				
057	941201-0	FLAT WASHER 8		1				
058	941201-0	FLAT WASHER 8		1				
059	341416-3	LEVER PLATE		1				
060	931402-8	HEX. NUT M8		1				
061	341415-5	LOCK PLATE		1				
062	911106-8	PAN HEAD SCREW M4X8		1				
063	251227-7	+ COUNTERSUNK HEAD SCREW M6X22		1				
064	262502-6	RUBBER SLEEVE 6		1				
065	168091-8	BASE		1				
066	251858-2	DIAL SCREW M6X15		1				
067	231316-4	COMPRESSION SPRING 7		1				
068-1	253819-8	FLAT WASHER 6		1				
069	252624-0	WING NUT M6		1				
400A_	792315-6	T.C.T. SAW BLADE 210		1				
401	164095-8	GUIDE RULE		1				

Please order the parts with part number.

Print Date 4/7/2019

Model No.SR2100 CIRCULAR SAW 210MM

Item	Parts No.	Description	I/C	Qty	New/Old	Opt. 1	Opt. 2	Note
402	782212-4	SOCKET WRENCH 13		1				
403	273466-9	GRIP 37		1				

Please order the parts with part number.

Print Date 4/7/2019