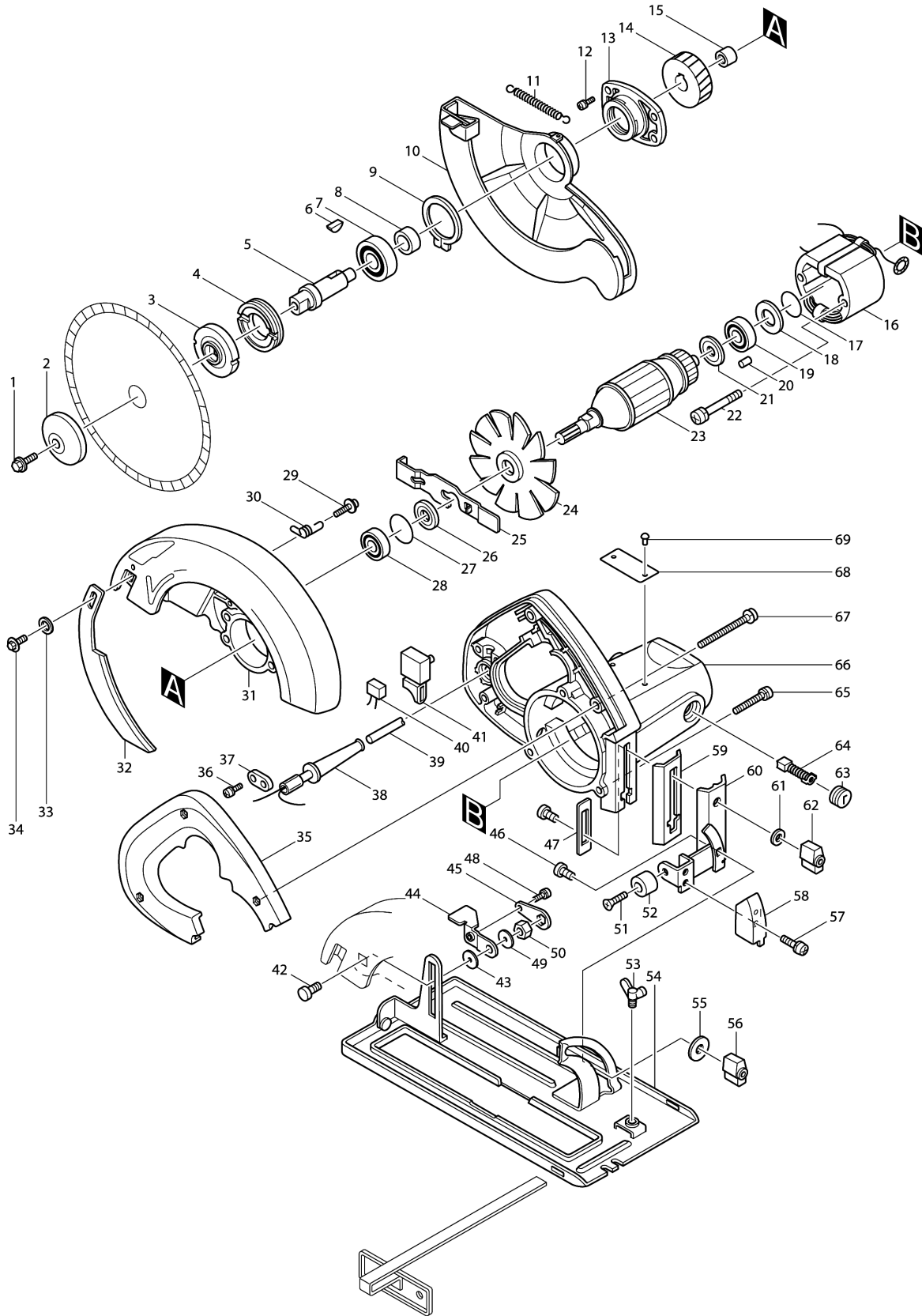


Model No.SR1800 CIRCULAR SAW 185MM



Model No.SR1800 CIRCULAR SAW 185MM

Item	Parts No.	Description	I/C	Qty	New/Old	Opt. 1	Opt. 2	Note
001	251609-3	HEX. FLANGE HEAD BOLT M6X17		1				
002	224011-3	OUTER FLANGE 45		1				
003	224224-6	INNER FLANGE 45		1				
004	285802-7	BEARING RETAINER 19-33		1				
005	325079-3	SPINDLE		1				
006	254001-2	WOODRUFF KEY 4		1				
007	211106-1	BALL BEARING 6201LLB		1				
008	257012-6	RING 12		1				
009	961155-5	RETAINING RING S-38		1				
010-2	164886-7	SAFETY COVER		1				
011	231730-4	TENSION SPRING 4		1				
012	911126-2	PAN HEAD SCREW M4X16		4				
013	315313-9	BEARING BOX		1				
014	221685-1	HELICAL GEAR 51		1				
015	212004-2	NEEDLE BEARING 810		1				
016C_	522523-3	FIELD ASS'Y 220V		1				
C10	654019-7	RING TERMINAL		2				
C20	654502-4	CONNECTOR P-2		2				
017	213255-0	O RING 18		1				
018	253192-6	FLAT WASHER 14		1				
019-1	211033-2	BALL BEARING 608LB		1				
020-1	263014-2	RUBBER PIN 4		1				
021-1	681613-2	INSULATION WASHER		1				
022-1	911285-2	PAN HEAD SCREW M5X60		2				
023C_	512733-0	ARMATURE ASS'Y 220V		1				
D10		INC. 19,21,23,24						
024	241091-4	FAN 86		1				
025	341699-5	SPINDLE LOCK		1				
026	253769-7	FLAT WASHER 10		1				
027	213406-5	O RING 30		1				
028	211066-7	BALL BEARING 6200LLB		1				
029	911124-6	PAN HEAD SCREW M4X14		1				
030	231549-1	TORSION SPRING 6		1				
031-1	154369-5	BLADE CASE COMPLETE		1				
D10		INC. 27						
032	341701-4	RIVING KNIFE		1				
033-1	257078-6	RING 6		1				
034	265251-4	HEX. BOLT M6X16		1				
035	411833-2	HANDLE COVER		1				
036-1	911133-5	PAN HEAD SCREW M4X18		2				
037A_	687001-1	STRAIN RELIEF		1				
038	682504-0	CORD GUARD 10-85		1				

Please order the parts with part number.

Print Date 4/7/2019

Model No.SR1800 CIRCULAR SAW 185MM

Item	Parts No.	Description	I/C	Qty	New/Old	Opt. 1	Opt. 2	Note
039M_	665516-8	POWER SUPPLY CORD 1.00-2-2.5		1				
040B_	645200-1	NOISE SUPPRESSOR		1				
041K_	651252-2	SWITCH SGES215C		1				
042	251919-8	CAP SQUARE NECK BOLT M6X20		1				
043-1	253819-8	FLAT WASHER 6		1				
044	341717-9	LEVER PLATE		1				
045	341718-7	LOCK PLATE		1				
046	251919-8	CAP SQUARE NECK BOLT M6X20		2				
047-1	343809-0	PLATE		1				
048	911101-8	PAN HEAD SCREW M4X6		1				
049	253804-1	FLAT WASHER 6		1				
050	931302-2	HEX. NUT M6		1				
051	251288-7	+ COUNTERSUNK HEAD SCREW M5X20		1				
052	262502-6	RUBBER SLEEVE 6		1				
053	924201-5	WING BOLT M5X8		1				
054	168083-7	BASE		1				
055-1	253804-1	FLAT WASHER 6		1				
056	252624-0	WING NUT M6		1				
057	911106-8	PAN HEAD SCREW M4X8		2				
058	341702-2	FRONT GUARD		1				
059-1	343861-8	SLIDE PLATE		1				
060	164560-7	ANGULAR PLATE		1				
061	257078-6	RING 6		1				
062	252624-0	WING NUT M6		1				
063	643600-9	BRUSH HOLDER CAP 6-10		2				
064B_	181030-1	CARBON BRUSH CB-100		1				
065	911268-2	PAN HEAD SCREW M5X45		3				
066	156778-4	MOTOR HOUSING		1				
C10	812166-2	INDICATION LABEL		1	*			
C20	643603-3	BRUSH HOLDER 6-10		2				
C30	913206-0	SET SCREW M5X8		2				
D10		INC. 20						
067	911153-9	PAN HEAD SCREW M4X28		3				
068	854251-5	NAME PLATE SR1800		1				
069	953101-2	RIVET 0-3		2				
400B_	792314-8	T.C.T. SAW BLADE 185		1	*			
401	164095-8	GUIDE RULE		1				
402	782209-3	SOCKET WRENCH 9		1				
901	414194-9	JOINT		1				
902	911118-1	PAN HEAD SCREW M4X12		1				

Please order the parts with part number.

Print Date 4/7/2019