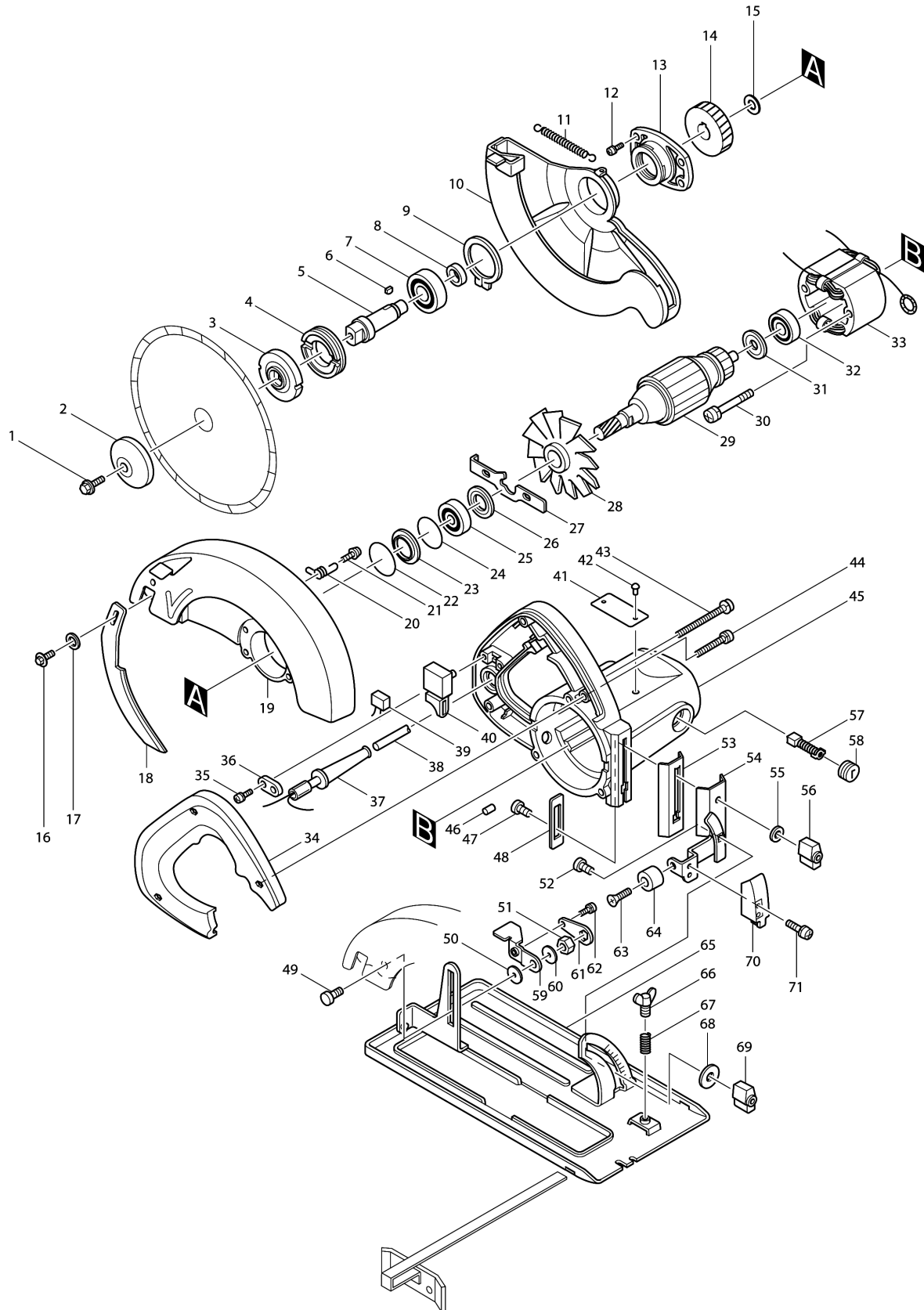


### Model No.SR1600 CIRCULAR SAW 165MM





## Model No.SR1600 CIRCULAR SAW 165MM

Item	Parts No.	Description	I/C	Qty	New/Old	Opt. 1	Opt. 2	Note
001	251609-3	HEX. FLANGE HEAD BOLT M6X17		1				
002	224011-3	OUTER FLANGE 45		1				
003	224224-6	INNER FLANGE 45		1				
004	285802-7	BEARING RETAINER 19-33		1				
005-2	325239-7	SPINDLE		1				
006	254011-9	WOODRUFF KEY 4		1				
007	211106-1	BALL BEARING 6201LLB		1				
008	257010-0	RING 12		1				
009	961155-5	RETAINING RING S-38		1				
010-1	164885-9	SAFETY COVER		1				
011-1	231730-4	TENSION SPRING 4		1				
012	911126-2	PAN HEAD SCREW M4X16		4				
013	315313-9	BEARING BOX		1				
014	221697-4	HERICAL GEAR 50		1				
015	961016-9	STOP RING E-10		1				
016	265251-4	HEX. BOLT M6X16		1				
017	941151-9	FLAT WASHER 6		1				
018	341779-7	RIVING KNIFE		1				
019-2	154405-7	BLADE CASE COMPLETE		1				
C10	214001-4	PLANE BEARING 8		1				
C20	286001-4	CAP 14		1				
D11		INC. 24						
020	231549-1	TORSION SPRING 6		1				
021	911119-9	PAN HEAD SCREW M4X12		1				
022	213008-7	O RING 22.4		1				
023	343295-5	WASHER 19		1				
024-2	213407-3	O RING 26		1				
025-2	211056-0	BALL BEARING 629LLB		1	*			
025-3	210042-8	BALL BEARING 629LLB	O	1				
026	253768-9	FLAT WASHER 9		1				
027	341778-9	SPINDLE LOCK		1				
028	241102-5	FAN 86		1				
029C_	512753-4	ARMATURE ASS'Y 220V		1				
D11		INC. 25,26,28,31,32						
030-1	911280-2	PAN HEAD SCREW M5X55		2				
031A1	681625-5	INSULATION WASHER		1				
032	211031-6	BALL BEARING 608LLB		1				
033C_	522548-7	FIELD ASS'Y 220V		1				
C10	654019-7	RING TERMINAL		2				
C20	654501-6	CONNECTOR P-1.25		2				
034	411912-6	HANDLE COVER		1				
035-1	911133-5	PAN HEAD SCREW M4X18		2				

Please order the parts with part number.

Print Date 4/7/2019

## Model No.SR1600 CIRCULAR SAW 165MM

Item	Parts No.	Description	I/C	Qty	New/Old	Opt. 1	Opt. 2	Note
036C_	687031-2	STRAIN RELIEF		1				
037K_	665016-8	POWER SUPPLY CORD 1.00-2-2.5		1				
038	682504-0	CORD GUARD 10-85		1				
039G_	645200-1	NOISE SUPPRESSOR		1				
040L_	651252-2	SWITCH SGES215C		1				
041	854440-2	NAME PLATE SR1600		1				
042	953101-2	RIVET 0-3		2				
043	911268-2	PAN HEAD SCREW M5X45		3				
044	911153-9	PAN HEAD SCREW M4X28		3				
045	156820-1	MOTOR HOUSING		1				
C10	812166-2	INDICATION LABEL		1	*			
C20	643603-3	BRUSH HOLDER 6-10		2				
C30	913206-0	SET SCREW M5X8		2				
D11		INC. 46						
046-1	263014-2	RUBBER PIN 4		1				
047	251919-8	CAP SQUARE NECK BOLT M6X20		1				
048-1	343809-0	PLATE		1				
049	251919-8	CAP SQUARE NECK BOLT M6X20		1				
050	253804-1	FLAT WASHER 6		1				
051	931302-2	HEX. NUT M6		1				
052	251919-8	CAP SQUARE NECK BOLT M6X20		1				
053-1	343859-5	DEPTH PLATE		1				
054	164583-5	ANGULAR PLATE		1				
055	257078-6	RING 6		1				
056	252624-0	WING NUT M6		1				
057B_	181030-1	CARBON BRUSH CB-100		1				
058	643600-9	BRUSH HOLDER CAP 6-10		2				
059	341717-9	LEVER PLATE		1				
060	253804-1	FLAT WASHER 6		1				
061	341718-7	LOCK PLATE		1				
062	911101-8	PAN HEAD SCREW M4X6		1				
063	251227-7	+ COUNTERSUNK HEAD SCREW M6X22		1				
064	262502-6	RUBBER SLEEVE 6		1				
065-1	168090-0	BASE		1				
066	924316-8	WING BOLT M6X15		1				
067	231316-4	COMPRESSION SPRING 7		1				
068-1	253819-8	FLAT WASHER 6		1				
069	252624-0	WING NUT M6		1				
070	341777-1	FRONT GUARD		1				
071	911106-8	PAN HEAD SCREW M4X8		2				

Please order the parts with part number.

Print Date 4/7/2019

**Model No.SR1600 CIRCULAR SAW 165MM**

Item	Parts No.	Description	I/C	Qty	New/Old	Opt. 1	Opt. 2	Note
400C_	792313-0	T.C.T. SAW BLADE 165		1				
401	164095-8	GUIDE RULE		1				
402	782209-3	SOCKET WRENCH 9		1				

Please order the parts with part number.

Print Date 4/7/2019