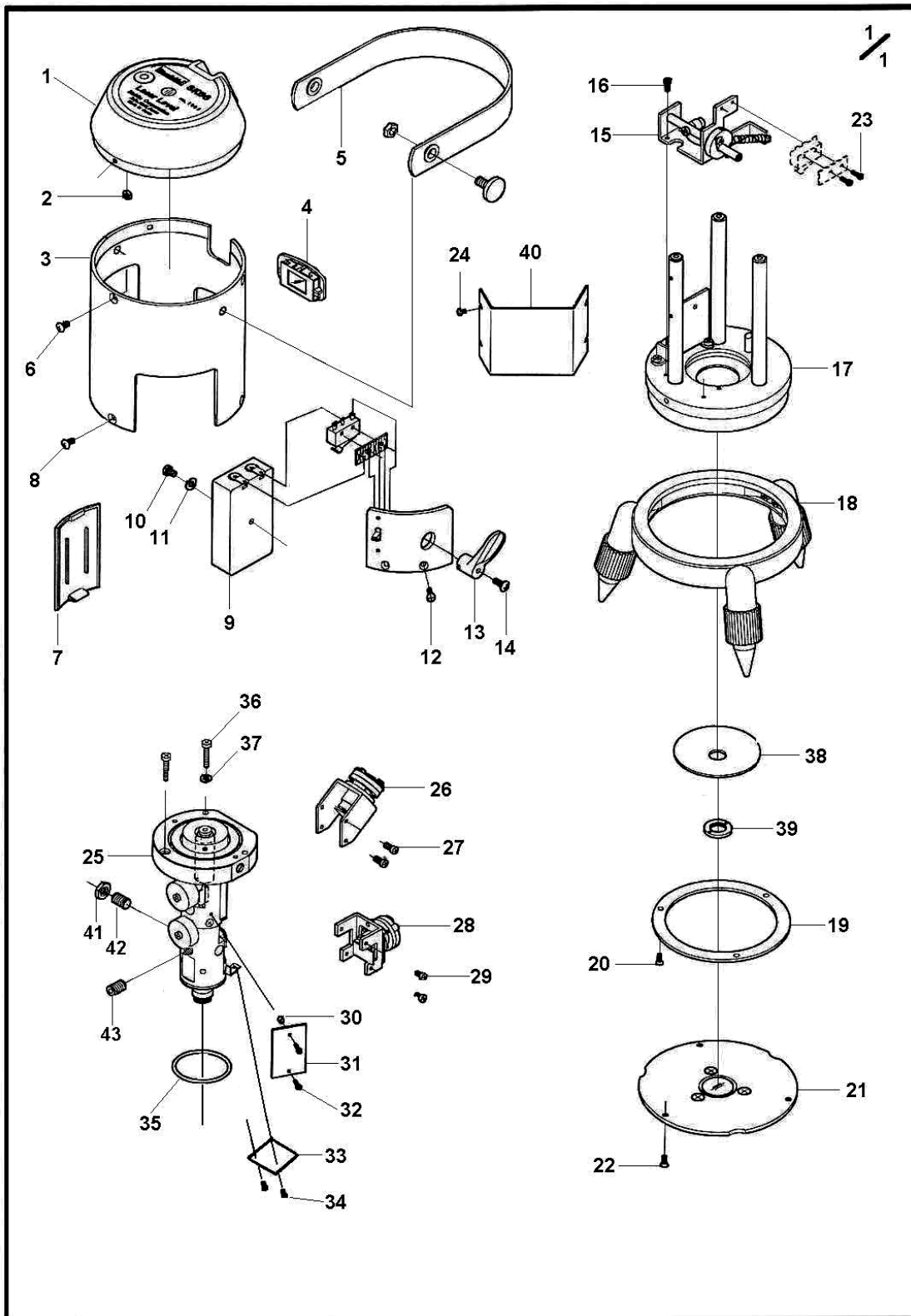


Model No.SK66 CORDLESS LASER LEVEL

Makita®

Model: SK66

LASER LEVEL



8.28.2003

Model No.SK66 CORDLESS LASER LEVEL

Item	Parts No.	Description	I/C	Qty	New/Old	Opt. 1	Opt. 2	Note
001	TK0LV5827S	TOP CAP COMP.		1	*			
001-1	TKLV5827ES	TOP CAP COMP.	X	1				
002	TKHN230BSN	HEX.NUT M3		3	*			
002-1	TKHN230SCZ	HEX.NUT M3	X	3				
003	TKLV57832S	BODY HOUSING		1	*			
003-1	TKLV5783ES	BODY HOUSING	X	1				
004	TK0LV5070S	HORIZONTAL EXIT FRAME COMP.		1				
005	TKLV42702S	TOOL-STRAP		1	*			
005-1	TK0LV4270S	TOOL-STRAP	X	1				
006	TK0C3060SS	OVAL COUNTERSUNK HD.SCREW M3X6		3				
007	TK00LV5938	BATTERY BOX COVER		1				
008	TK0C3060SS	OVAL COUNTERSUNK HD.SCREW M3X6		3				
009	TK0LV5798S	POWER/MODE PANEL COMP.INC.C10		1	*			
C10	TK00LV5918	BATTERY BOX		1	*			
009-1	TKL5798E2S	POWER/MODE PANEL COMP.INC.C10	X	1				
C10	TK00LV5918	BATTERY BOX		1				
010	TK0P3050SS	PAN HD.SCREW M3X5		1				
011	TK0000SW30	SPRING LOCK WASHER 2 M3		1	*			
011-1	TK0SW30SC2	SPRING LOCK WASHER 2 M3	X	1				
012	TKC3060SSB	OVAL COUNTERSUNK HD.SCREW M3X6		2				
013	TK0LV45592	SWITCH LEVER		1				
014	TKT3016SSB	TRUSS HD.SCREW M3X16		1	*			
014-1	TKT3016SCB	TRUSS HD.SCREW M3X16	X	1				
015	TK0LV5795S	LOCK LEVER BASE		1				
016	TK00P2560Z	PAN HD.SCREW M2.5X6		4	*			
016-1	TKP2560SCZ	PAN HD.SCREW M2.5X6	X	4				
017	TKLV58002S	BASE.COMP.		1				
018	TK0LV5802S	FOOT COMP.		1				
019	TK00LV5804	BASE RING		1				
020	TK00F3060B	COUNTERSUNK HD.SCREW M3X6		3	*			
020-1	TK0F3060SS	COUNTERSUNK HD.SCREW M3X6	X	3				
021	TK0LV5805S	BASE PLATE COMP.		1				
022	TK0F3060SS	COUNTERSUNK HD.SCREW M3X6		3	*			
022-1	TKF3060SCB	COUNTERSUNK HD.SCREW M3X6	X	3				
023	TK03P2010N	PAN HD.SCREW M2X10		2				
024	TK03P2040N	PAN HD.SCREW M2X4		4				
025	TKLV57742S	LASER BASE COMP.		1				
C10	TK0LV5456S	PLUMB LASER HD.		1				

Please order the parts with part number.

Print Date 4/7/2019

Model No.SK66 CORDLESS LASER LEVEL

Item	Parts No.	Description	I/C	Qty	New/Old	Opt. 1	Opt. 2	Note
026	TK0LV5807S	VERTICAL LASER HD.COMP.		1				
027	TK03P2050N	PAN HD.SCREW M2X5		4				
028	TKLV58082S	HORIZONTAL LASER HD.COMP.		1				
029	TK03P2050N	PAN HD.SCREW M2X5		4				
030	TK00ST2025	SPACER 2X2.5		2	*			
030-1	TKST2025SC	SPACER 2X2.5	X	2				
031	TK00LV5780	CONNECTER CIRCUIT		1				
032	TK03P2060B	PAN HD.SCREW M2X6		2				
033	TK00LV5811	SENSOR CIRCUIT BOARD		1				
034	TK03P2030N	PAN HD.SCREW M2X3		2				
035	TK00LV5702	O RING 22.5X2.5		1				
036	TK0000SW30	SPRING LOCK WASHER 2 M3		2	*			
036-1	TK0SW30SC2	SPRING LOCK WASHER 2 M3	X	2				
037	TK00P3016Z	PAN HD.SCREW M3X16		3	*			
037-1	TKP3016SCZ	PAN HD.SCREW M3X16	X	3				
038	TK00LV3896	CONTROL PLATE		1				
039	TK0LV27292	RING NUT		1				
040	TK00LV5822	WIRE COVER		1				
041	TK000HN380	HEX.NUT M8		1	*			
041-1	TKHN380BSN	HEX.NUT M8	X	1				
042	TKS8010SS0	HEX.SOCKET HD.SCREW M8X10		1				
042A_	TKS8015SS0	HEX.SOCKET HD.SCREW M8X15		1				
042B_	TKS8020SS0	HEX.SOCKET HD.SCREW M8X20		1				
043	TKS8010SS0	HEX.SOCKET HD.SCREW M8X10		1				
043A_	TKS8015SS0	HEX.SOCKET HD.SCREW M8X15		1				
043B_	TKS8020SS0	HEX.SOCKET HD.SCREW M8X20		1				
A01	TK00663000	TOOL CARRYING CASE		1	*			
A01-1	TK066AK20A	TOOL CARRYING CASE	X	1				
A02	TK00664000	CARTON		1	*			
A02-1	TK0066ECB1	CARTON	X	1				
A03	TK0LEG2000	LASER ENHANCEMENT GLASSES		1				
A04A	A-89501	ELEVATING TRIPOD		1				

Please order the parts with part number.

Print Date 4/7/2019