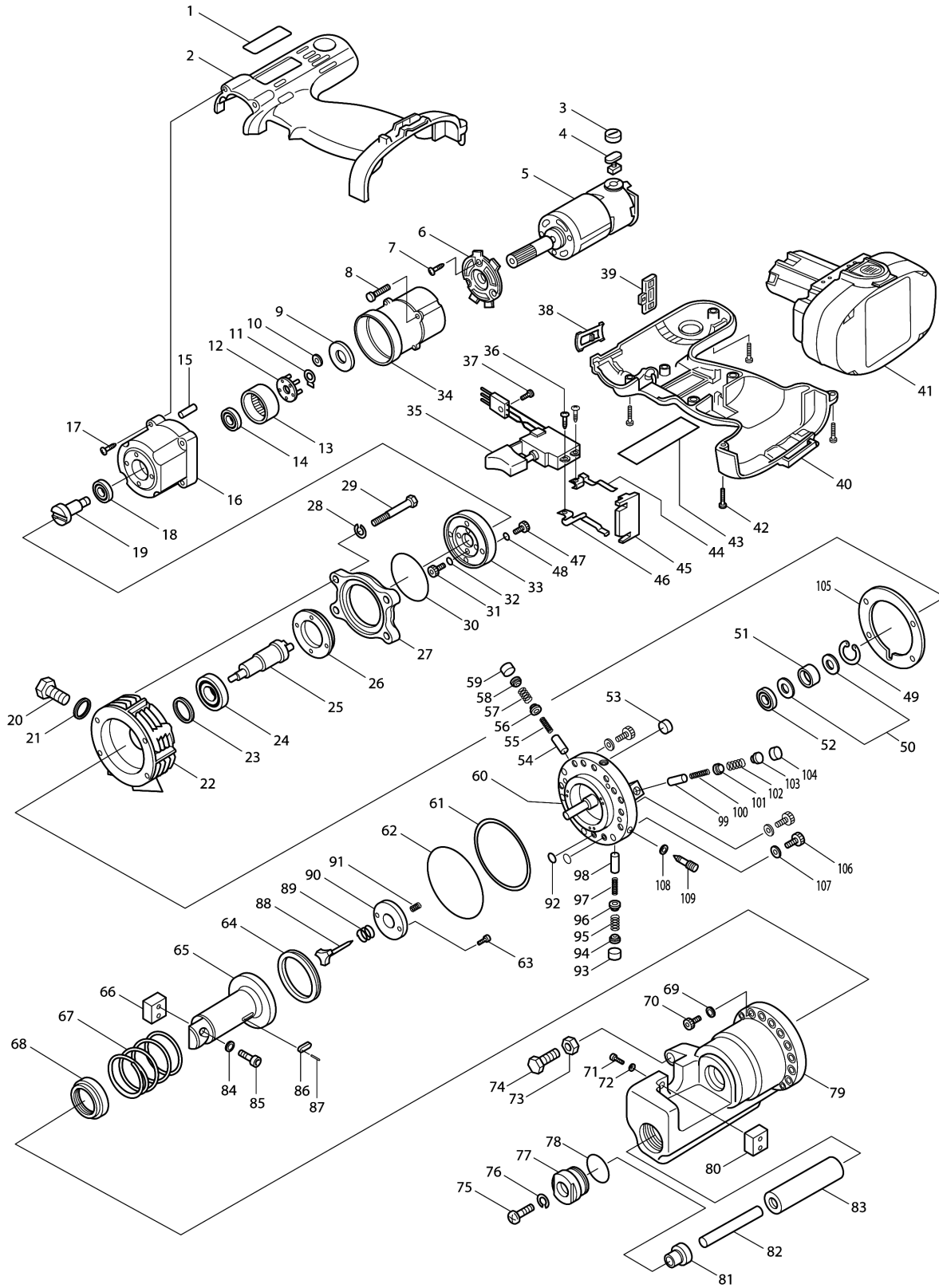


Model No.SC190D CORDLESS STEEL ROD CUTTER



Model No.SC190D CORDLESS STEEL ROD CUTTER

Item	Parts No.	Description	I/C	Qty	New/Old	Opt. 1	Opt. 2	Note
002	183032-3	HOUSING SET		1				
D10		INC.40						
003	643954-4	BRUSH HOLDER CAP		2				
004	191971-3	CARBON BRUSH CB-430		1				
005	629743-1	DC MOTOR		1				
D10		INC. 3,4						
006	317069-0	MOTOR BRACKET		1				
007	266134-1	TAPPING SCREW ST 4X8		3				
008	911017-7	PAN HEAD SCREW M3X12		4				
009	267187-3	FLAT WASHER 16		1				
010	226368-8	SPUR GEAR 14		5				
011	961004-6	RETAINING RING S-8		1				
012	152594-2	CARRIER COMPLATE		1				
013	226397-1	INTERNAL GEAR 45		1				
014	211136-2	BALL BEARING 6801LLB		1				
015	256054-7	PIN 4		1				
016	317324-0	GEAR CASE B		1				
017	265999-8	TAPPING SCREW 4X25		4				
018	211136-2	BALL BEARING 6801LLB		1				
019	323970-9	SPINDLE		1				
020	921522-6	HEX. BOLT M10X16		1				
021	SC00000056	SEALING WASHER		1	*			
021-1	SC00000489	SEAL WASHER WF10171.6	O	1				
022	SC03213500	PUMP CASE		1				
023	SC00000054	OIL SEAL		1				
024	SC00000050	BALL BEARING 6002RU		1				
025	SC03501390	ECCENTRIC SHAFT		1				
026	SC03251400	THRUST FIXING FLANGE		1				
027	SC03221700	MOTOR FLANGE		1				
028	941152-7	FLAT WASHER 6		4				
029	922382-9	HEX. SOCKET HEAD BOLT M6X60		4				
030	SC06505500	O RING S60		1				
031	922127-5	HEX. SOCKET HEAD BOLT M4X16		4				
032	941052-1	FLAT WASHER 4		4				
033	SC03222300	MOTOR MOUNTING FLANGE		1				
034	416628-8	GEAR CASE A		1				
035	651968-9	SWITCH C3LA-2A		1	*			
035-1	651968-9	SWITCH C3LA-2A	O	1				
036	652038-7	PAN HEAD SCREW M3X8		2				
037	911006-2	PAN HEAD SCREW M3X8		1				
038	417151-6	COVER		1				

Model No.SC190D CORDLESS STEEL ROD CUTTER

Item	Parts No.	Description	I/C	Qty	New/Old	Opt. 1	Opt. 2	Note
039	417150-8	LOCK LEVER		1				
040	183032-3	HOUSING SET		1				
D10		INC. 2						
041	192827-3	BATTERY 1822 SET		1				
042	266130-9	TAPPING SCREW BIND PT 3X16		8				
044	654168-0	SPRING TERMINAL (+)		1	*			
044-1	654168-0	SPRING TERMINAL (+)	<	1				
045	687085-9	HOLDER		1				
046	654169-8	SPRING TERMINAL (-)		1	*			
046-1	654169-8	SPRING TERMINAL (-)	<	1				
047	922127-5	HEX. SOCKET HEAD BOLT M4X16		4				
048	941052-1	FLAT WASHER 4		4				
049	SC07411020	RETAINING RING RTW-26		1				
050	SC00000019	NEEDLE BEARING SUPPORTER		2				
051	SC00000048	NEEDLE BEARING		1				
052	SC00000049	BALL BEARING 608		1				
053	SC00000020	MAGNET		3				
054	SC00000015	PISTON		1				
055	SC00000022	PISTON RETURN SPRING		1				
056	SC00000017	CHECK VALVE		1	*			
056-1	SC00000464	CHECK VALVE #T43445N1	O	1				
057	SC00000021	CHECK VALVE SPRING		1				
058	SC00000018	SPRING SUPPORTER		1				
059	SC00000076	URETHAN PACKING		1				
060	SC03206100	CYLINDER		1				
061	SC06503260	BACK UP RING G70		1				
062	SC06505350	O RING FOR CYLINDER G70		1				
063	922102-1	HEX. SOCKET HEAD BOLT M4X6		2				
064	SC00000096	ROD PACKING		1				
065	SC03112300	CUTTER ROD		1				
066	SC00000580	CUTTER BLADE SET		1				
D10		INC. 80						
067	SC04000050	RETURN SPRING FOR CUTTER ROD		1				
068	SC06503510	DUST SEAL		1				
069	SC07620040	WASHER HW8		11				
070	922441-9	HEX. SOCKET HEAD BOLT M8X25		11				
071	SC00000057	HEX. SOCKET HEAD BOLT 6X18		2				
072	941151-9	FLAT WASHER 6		2				
073	931601-2	HEX. NUT M12		1				
074	SC00000134	HOLD BOLT		1				

Please order the parts with part number.

Print Date 1/9/2020

Model No.SC190D CORDLESS STEEL ROD CUTTER

Item	Parts No.	Description	I/C	Qty	New/Old	Opt. 1	Opt. 2	Note
075	SC00000034	WOOD SCREW 5X60		1				
076	942201-3	SPRING WASHER 8		1				
077	SC03507010	BUSHING HOLDER		1				
078	SC06505320	O RING P26		1				
079	SC03103200	BAR HOLDER		1				
080	SC00000580	CUTTER BLADE SET		1				
D10		INC. 66						
081	SC03507000	BUSHING		1				
083	SC09004910	OIL LEVELER SACK		1				
084	941101-4	FLAT WASHER 5		2				
085	SC00000098	HEX. SOCKET HEAD BOLT 5X15		2				
086	SC00000030	KEY		1	*			
086-1	SC03700020	KEY	O	1				
087	SC00000070	SPRING PIN 2.5X10		1				
088	SC03500310	RELEASE VALVE		1				
089	SC00000032	VALVE RETURN SPRING		1				
090	SC00000481	STOPPER PLATE #45423		1				
091	SC00000023	RELEASE VALVE SPRING		1				
092	SC06505010	O RING P6		2				
093	SC00000076	URETHAN PACKING		1				
094	SC00000018	SPRING SUPPORTER		1				
095	SC00000021	CHECK VALVE SPRING		1				
096	SC00000017	CHECK VALVE		1	*			
096-1	SC00000464	CHECK VALVE #T43445N1	O	1				
097	SC00000022	PISTON RETURN SPRING		1				
098	SC00000015	PISTON		1				
099	SC00000015	PISTON		1				
100	SC00000022	PISTON RETURN SPRING		1				
101	SC00000017	CHECK VALVE		1	*			
101-1	SC00000464	CHECK VALVE #T43445N1	O	1				
102	SC00000021	CHECK VALVE SPRING		1				
103	SC00000018	SPRING SUPPORTER		1				
104	SC00000076	URETHAN PACKING		1				
105	SC04601470	LINER B		1				
106	922432-0	HEX. SOCKET HEAD BOLT M8X20		3				
107	941202-8	FLAT WASHER 8		3				
108	SC06505300	O RING S4		1				
109	SC03501420	RETURN VALVE		1				
110	SC03505570	PROTECTIVE COVER		1				
A01	414938-7	BATTERY COVER		1				
A02	783201-2	HEX. WRENCH 3		1				

Model No.SC190D CORDLESS STEEL ROD CUTTER

Item	Parts No.	Description	I/C	Qty	New/Old	Opt. 1	Opt. 2	Note
A03	783202-0	HEX. WRENCH 4		1				
A04	783203-8	HEX. WRENCH 5		1				
A05	783204-6	HEX. WRENCH 6		1				
A06	781212-1	WRENCH 17-19		1				
A07	SC08100920	PLASTIC CARRYING CASE		1	*			
C10	SC08100960	LATCH		2	*			
C11	SC08100960	LATCH	O	2	*			
A07-1	SC09009190	PLASTIC CASE SET	O	1				
A08	SC00000106	OIL 35CC		1				
A09	***DC1801	DC1801 BATTERY CHARGER		1	*			
A09-1	***DC1803	DC1803 BATTERY CHARGER	<	1	*			
A09-2	***DC1804	DC1804 BATTERY CHARGER	O	1				

Please order the parts with part number.

Print Date 1/9/2020