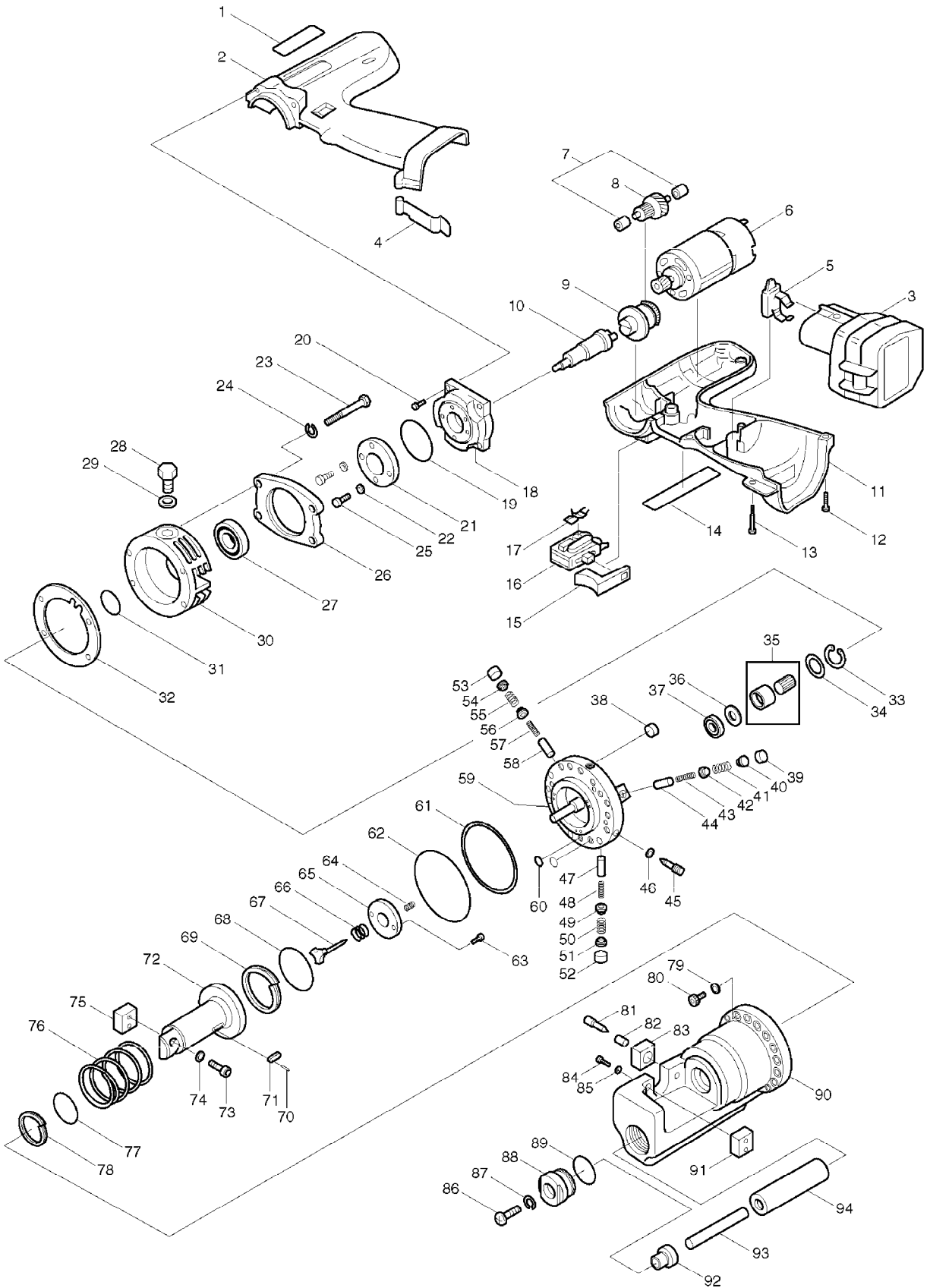


SERVICE DRAWING

MODEL NO. SC160D



SPARE PARTS LIST

MODEL NO. SC160D

ITEM	PART NO.	DESCRIPTION	QTY	NOTE
002	182637-6	HOUSING SET	1	
003	192536-4	BATTERY 1202	1	
004	343579-1	SET PLATE	1	
005	643918-8	BATTERY HOLDER	1	
006	629638-8	DC MOTOR 12V	1	
007	214027-6	PLANE BEARING 4	2	
008	226118-1	GEAR COMPLETE 15-38	1	
009	153222-2	SPINDLE COMPLETE	1	
010	SC03511390	ECCENTRIC SHAFT	1	
011	182637-6	HOUSING SET	1	
012	265925-7	TAPPING SCREW BT4X20	6	
013	911138-5	PAN HEAD SCREW M4X20	1	
015	415671-4	SWITCH LEVER	1	
016	*****	*****	***	*****
017	415716-8	COVER	1	
018	SC03221600	MOTOR FRANGE	1	
020	SC07554010	TAPPING SCREW M4X20	4	
021	SC03251180	FLANGE	1	
022	SC00000068	WASHER 4	4	
023	SC07512110	BOLT HB5X50	4	
024	SC07610030	WASHER SW5	4	
025	SC07511060	BOLT HB4X22	4	
026	SC03221200	INTERMEDIATE HOUSING	1	
027	SC00000050	BALL BEARING 6002RU	1	
028	921522-6	HEX. BOLT M10X16	1	
029	SC00000489	SEAL WASHER WF10171.6	1	
030	SC03212300	BEARING HOUSING	1	
031	SC00000484	OIL SEAL MSH15257	1	
032	SC04601440	LINER B	1	
033	SC00000487	STOP RING H19	1	
034	SC00000467	NEEDLE BEARING HOLDER B T45422	1	
035	SC00000466	NEEDLE BEARING #RNAF81510	1	
036	SC00000465	NEEDLE BEARING HOLDER A T45421	1	
037	211007-3	BALL BEARING 625ZZ	1	
038	SC00000020	MAGNET	2	
039	SC00000076	URETHAN PACKING	1	
040	SC00000018	SPRING SUPPORTER	1	
041	SC00000468	SPRING #43449N2	1	
042	*****	*****	***	*****
043	SC04003020	PISTON RETURN RING	1	
044	SC03500390	PISTON	1	
045	SC03501420	RETURN BULB	1	
046	SC06505300	O RING S4	1	
047	SC03500390	PISTON	1	
048	SC04003020	PISTON RETURN RING	1	
049	*****	*****	***	*****
050	SC00000468	SPRING #43449N2	1	
051	SC00000018	SPRING SUPPORTER	1	
052	SC00000076	URETHAN PACKING	1	
053	SC00000076	URETHAN PACKING	1	
054	SC00000018	SPRING SUPPORTER	1	
055	SC00000468	SPRING #43449N2	1	
056	*****	*****	***	*****
057	SC04003020	PISTON RETURN RING	1	

SPARE PARTS LIST

MODEL NO. SC160D

ITEM	PART NO.	DESCRIPTION	QTY	NOTE
058	SC03500390	PISTON	1	
059	SC03204500	CYLINDER	1	
060	SC06505010	O RING P6	2	
061	SC06503240	BACK-UP RING G55	1	
062	SC06505180	O RING G55	1	
063	922102-1	HEX. SOCKET HEAD BOLT M4X6	2	
064	SC00000023	RELEASE VALVE SPRING	1	
065	SC00000481	STOPPER PLATE #45423	1	
066	SC00000471	SPRING #T45378	1	
067	SC00000462	RELEASE VALVE #T45461	1	
068	SC06505280	O RING P46	1	
069	SC06503230	BACK-UP RING P46	1	
070	SC00000070	SPRING PIN 2.5X10	1	
071	SC00000480	KEY T45420	1	
072	SC03112100	CUTTER ROD	1	
073	SC00000059	HEX. SOCKET HEAD BOLT 5X12	2	
074	SC00000067	WASHER 5	2	
075	SC09002420	CUTTER BLADE SET	1	
076	SC04000160	SPRING	1	
077	SC06505320	O RING P26	1	
078	SC06503190	BACK-UP RING P26	1	
079	SC00000066	WASHER 6	13	
080	922342-1	HEX. SOCKET HEAD BOLT M6X25	13	
081	SC03500990	BOLT	1	
082	SC00000469	SPRING #T45470	1	
083	SC03503890	STOPPER	1	
084	SC00000059	HEX. SOCKET HEAD BOLT 5X12	2	
085	SC00000067	WASHER 5	2	
086	SC00000034	WOOD SCREW 5X60	1	
087	942201-3	SPRING WASHER 8	1	
088	SC03501400	BUSH HOLDER	1	
089	SC06505310	O RING P22A	1	
090	SC03102900	CUTTER HEAD	1	
091	SC09002420	CUTTER BLADE SET	1	
092	SC00000082	BUSH	1	
094	SC09004930	OIL LEVELER SACK	1	
095	SC03222700	FLANGE SET PLATE	1	
096	SC04007430	POSITION SPRING	2	
097	SC04007620	LEAF SPRING	1	
098	SC07900010	STEEL BALL S4	1	
A01	SC04500170	BALANCE STAND	1	
A02	414938-7	BATTERY COVER	1	
A03	SC08100910	PLASTIC CARRYING CASE	1	
A04	783201-2	HEX. WRENCH 3	1	
A05	783202-0	HEX. WRENCH 4	1	
A06	783203-8	HEX. WRENCH 5	1	
A07	783204-6	HEX. WRENCH 6	1	
A08	SC00000499	WRENCH 17-14	1	
A09	SC00000106	OIL 35CC	1	