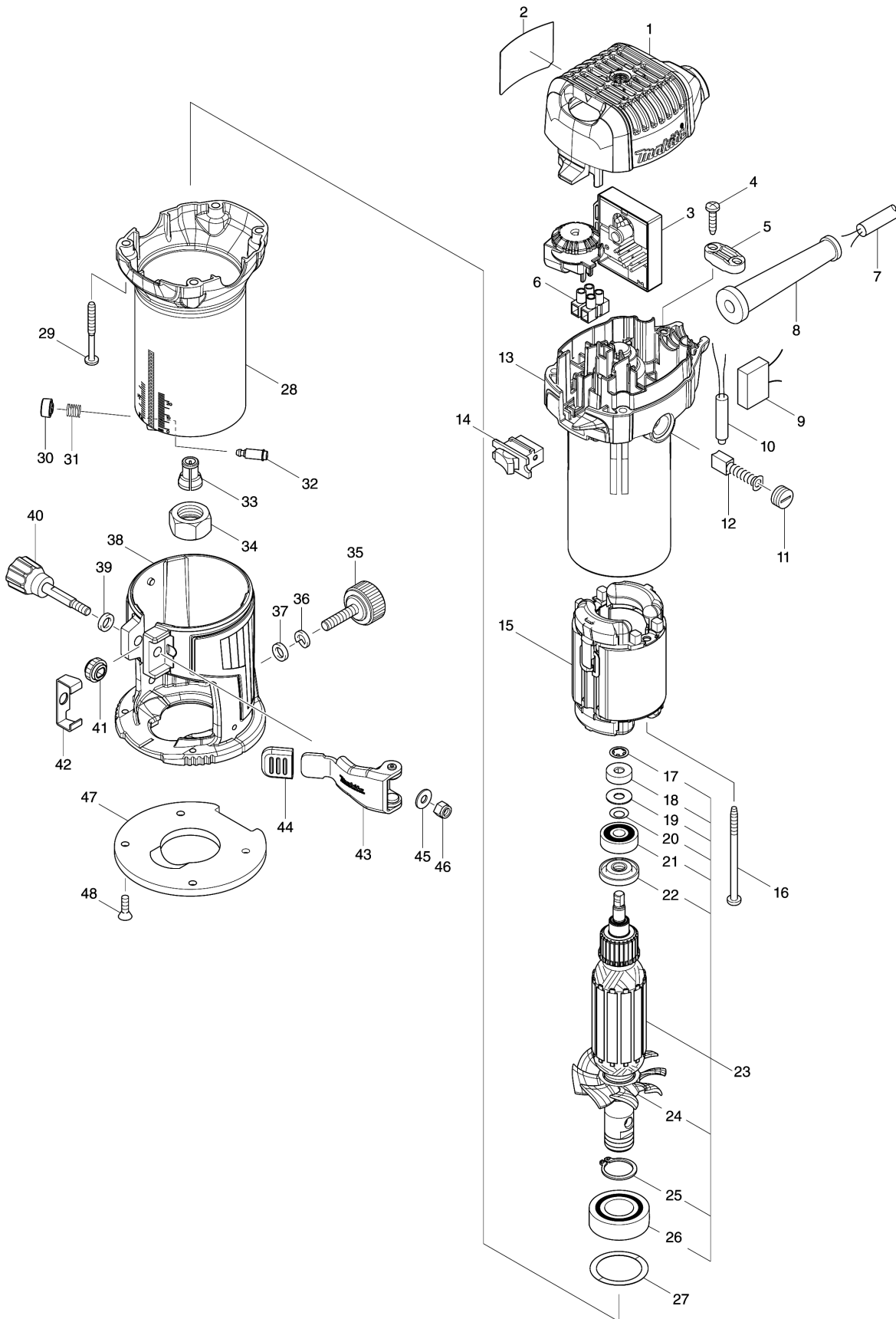


Model No.RT0702C TRIMMER



Model No.RT0702C TRIMMER

| Item | Parts No. | Description | I/C | Qty | New/Old | Opt. 1 | Opt. 2 | Note |
|------|-----------|-----------------------------|-----|-----|---------|--------|--------|------|
| 001 | 413A03-5 | TOP COVER | | 1 | | | | |
| 002 | 8111R5-5 | RT0702C NAME PLATE | | 1 | | | | |
| 003 | 620H14-7 | CONTROLLER | | 1 | | | | |
| 004 | 266326-2 | TAPPING SCREW 4X18 | | 2 | | | | |
| 005 | 687124-5 | STRAIN RELIEF | | 1 | | | | |
| 006 | 654542-2 | TERMINAL BLOCK 2P | | 1 | | | | |
| 007 | 695034-2 | POWER SUPPLY CORD 1.0-2-4.0 | | 1 | | | | |
| 008 | 682502-4 | CORD GUARD 8-85 | | 1 | | | | |
| 009 | 645233-6 | NOISE SUPPRESSOR | | 1 | | | | |
| 010 | 646133-3 | CHOKE COIL | | 1 | | | | |
| 011 | 643550-8 | BRUSH HOLDER CAP 5-8 | | 2 | | | | |
| 012 | 195010-1 | CARBON BRUSH SET CB-411 | | 1 | | | | |
| 013 | 141E76-9 | BRACKET COMPLETE | | 1 | | | | |
| C10 | 643455-2 | BRUSH HOLDER 6X9 | | 2 | | | | |
| 014 | 651527-9 | SWITCH | | 1 | | | | |
| 015 | 593769-8 | FIELD ASS'Y 240V | | 1 | | | | |
| C10 | 654100-4 | RING TERMINAL | | 1 | | | | |
| C20 | 654501-6 | CONNECTOR P-1.25 | | 1 | | | | |
| 016 | 266340-8 | TAPPING SCREW 4X65 | | 2 | | | | |
| 017 | 259039-2 | SELF LOCK 6 | | 1 | | | | |
| 018 | 688117-5 | MAGNET SLEEVE | | 1 | | | | |
| 019 | 253332-6 | THIN WASHER 6 | | 1 | | | | |
| 020 | 267756-0 | WAVE WASHER 6 | | 1 | | | | |
| 021 | 210023-2 | BALL BEARING 627DDW | | 1 | | | | |
| 022 | 681668-7 | INSULATION WASHER | | 1 | | | | |
| 023 | 515844-0 | ARMATURE ASS'Y 240V | | 1 | | | | |
| D10 | | INC. 17-22,24-26 | | | | | | |
| 024 | 240125-0 | FAN 55 | | 1 | | | | |
| 025 | 961057-5 | RETAINING RING S-17 | | 1 | | | | |
| 026 | 210301-0 | BALL BEARING 6003DDW | | 1 | | | | |
| 027 | 253906-3 | WAVE WASHER 26 | | 1 | | | | |
| 028 | 140735-2 | OUTER HOUSING COMPLETE | | 1 | | | | |
| 029 | 266560-4 | TAPPING SCREW 4X40 | | 4 | | | | |
| 030 | 452468-0 | PUSH BUTTON | | 1 | | | | |
| 031 | 233127-3 | COMPRESSION SPRING 7 | | 1 | | | | |
| 032 | 256437-1 | PIN 4 | | 1 | | | | |
| 033 | 763636-3 | COLLET CONE 6MM | | 1 | | | | |
| 034 | 763615-1 | COLLET NUT | | 1 | | | | |
| 035 | 265763-7 | THUMB SCREW M6X25 | | 1 | | | | |
| 036 | 253428-3 | SPRING WASHER 6 | | 1 | | | | |
| 037 | 941151-9 | FLAT WASHER 6 | | 1 | | | | |
| 038 | 142403-3 | TRIMMER BASE COMPLETE | | 1 | | | | |

Please order the parts with part number.

Print Date 4/10/2021

Model No.RT0702C TRIMMER

| Item | Parts No. | Description | I/C | Qty | New/Old | Opt. 1 | Opt. 2 | Note |
|------|-----------|--------------------------------|-----|-----|---------|--------|--------|------|
| 039 | 941151-9 | FLAT WASHER 6 | | 1 | | | | |
| 040 | 265792-0 | THUMB SCREW M5X35 | | 1 | | | | |
| 041 | 227262-7 | SPUR GEAR 16 | | 1 | | | | |
| 042 | 346392-6 | CAM PLATE | | 1 | | | | |
| 043 | 163524-8 | LOCK LEVER COMPLETE | | 1 | | | | |
| 044 | 424396-9 | RUBBER CAP | | 1 | | | | |
| 045 | 941101-4 | FLAT WASHER 5 | | 1 | | | | |
| 046 | 252103-8 | HEX. LOCK NUT M5-8 | | 1 | | | | |
| 047 | 454842-8 | BASE PROTECTOR | | 1 | | | | |
| 048 | 912112-6 | COUNTERSUNK HEAD SCREW M4X10 | | 4 | | | | |
| A01 | 122965-7 | STRAIGHT GUIDE ASSEMBLY | | 1 | | | | |
| C10 | 252649-4 | THUMB NUT M6 | | 1 | | | | |
| C20 | 266339-3 | CAP SQUARE NECK BOLT M6X20 | | 1 | | | | |
| C30 | 346382-9 | GUIDE PLATE | | 1 | | | | |
| A02 | 195559-1 | DUST NOZZLE SET | | 1 | | | | |
| C10 | 265774-2 | THUMB SCREW M4X19 | | 1 | | | | |
| A03 | 343577-5 | TEMPLET GUIDE 10 | | 1 | | | | |
| A04 | 781011-1 | WRENCH 22 | | 1 | | | | |
| A05 | 781039-9 | WRENCH 13 | | 1 | | | | |
| A06B | 194733-8 | DUST NOZZLE SET | | 1 | | | | |
| C10 | 213022-3 | O RING 3 | | 2 | | | | |
| C20 | 265774-2 | THUMB SCREW M4X19 | | 1 | | | | |
| A07 | 763618-5 | COLLET CONE 8MM | | 1 | | | | |
| A08B | 344364-5 | TEMPLET GUIDE 16 | | 1 | | | | |
| A09B | 122703-7 | TRIMMER GUIDE ASS'Y | | 1 | | | | |
| C10 | 251471-6 | - FLAT HEAD SCREW M5 | | 1 | | | | |
| C20 | 265135-6 | + COUNTERSUNK HEAD SCREW M4X10 | | 1 | | | | |
| C30 | 265763-7 | THUMB SCREW M6X25 | | 1 | | | | |
| C40 | 265764-5 | THUMB SCREW M6 | | 1 | | | | |
| C50 | 317788-8 | GUIDE HOLDER | | 1 | | | | |
| C60 | 324378-0 | ROLLER 11 | | 1 | | | | |
| C70 | 341136-9 | HOOK | | 1 | | | | |
| C80 | 941151-9 | FLAT WASHER 6 | | 1 | | | | |
| A10B | 195563-0 | PLUNGE BASE SET | | 1 | | | | |
| D10 | | COMPO-PARTS | | | | | | |
| A11B | 198987-9 | TILT BASE SET | | 1 | | | | |
| A12B | 153489-2 | GRIP 36 COMPLETE | | 1 | | | | |
| A13B | 195564-8 | GUIDE HOLDER SET | | 1 | | | | |
| C10 | 252649-4 | THUMB NUT M6 | | 1 | | | | |
| C20 | 256850-3 | ROD 8 | | 2 | | | | |

Model No.RT0702C TRIMMER

| Item | Parts No. | Description | I/C | Qty | New/Old | Opt. 1 | Opt. 2 | Note |
|------|-----------|-----------------------------------|-----|-----|---------|--------|--------|------|
| C30 | 266339-3 | CAP SQUARE NECK BOLT M6X20 | | 1 | | | | |
| A14B | 821552-6 | CONNECTOR PLASTIC CASE (TYPE4) | | 1 | | | | |
| C10 | 453974-8 | LATCH | | 4 | | | | |
| A15B | 837247-1 | TRAY | | 1 | | | | |
| A16B | 8043J8-2 | RT0702CX2J INDICATION LABEL | | 1 | | | | |
| A17B | 8043J9-0 | RT0702CX2J PLASTIC CASE LABEL | | 2 | | | | |

Please order the parts with part number.

Print Date 4/10/2021