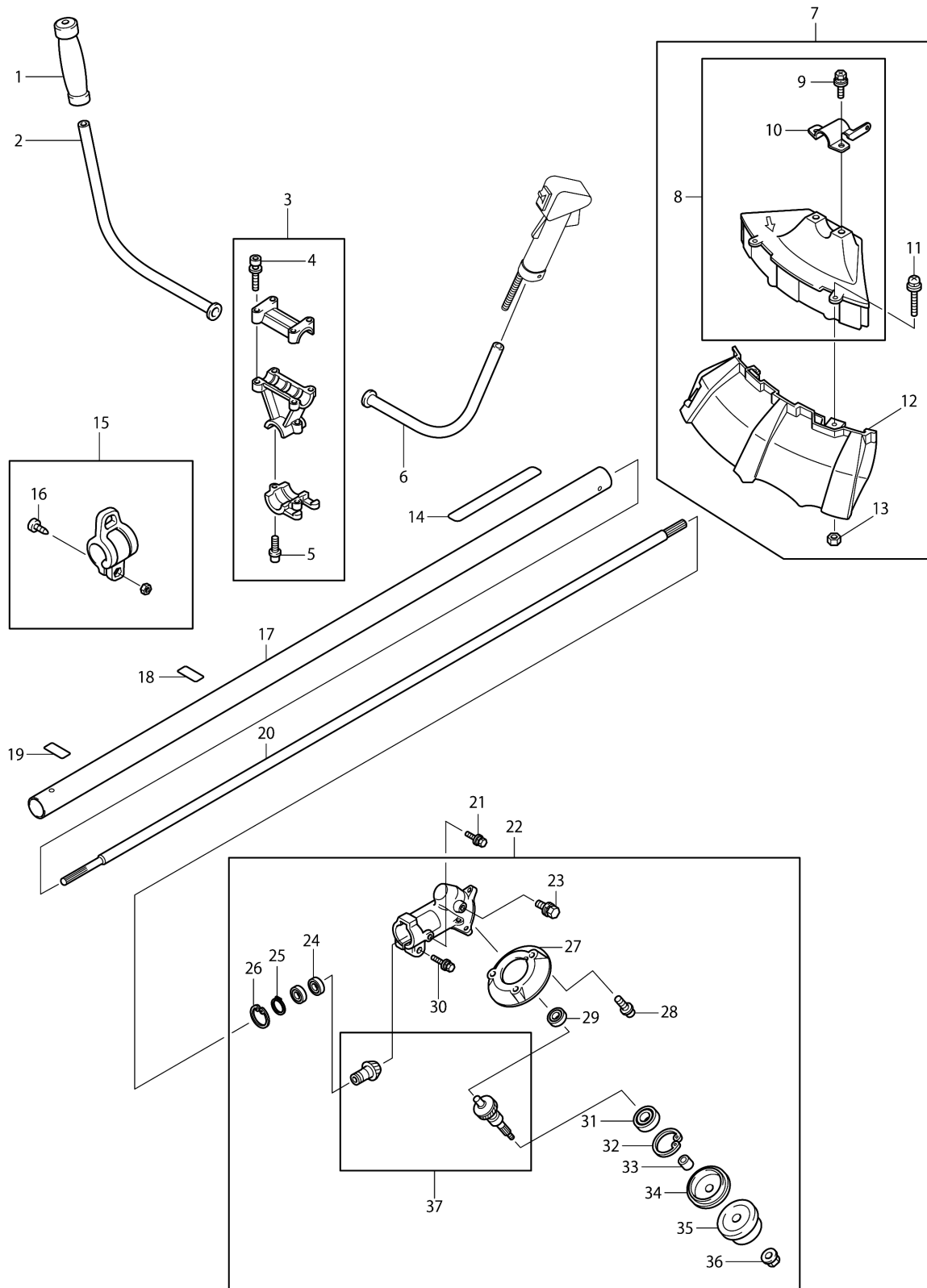
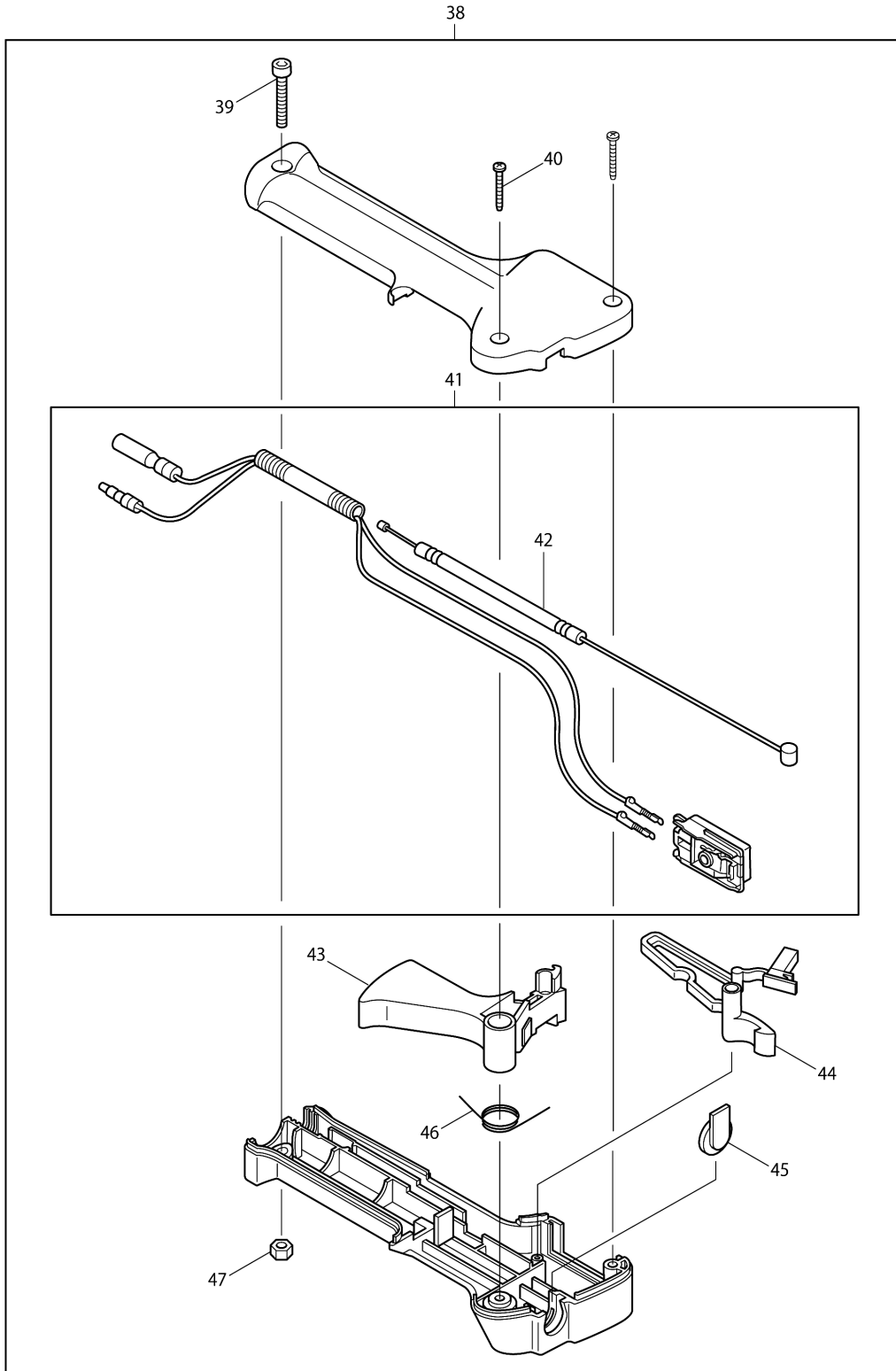


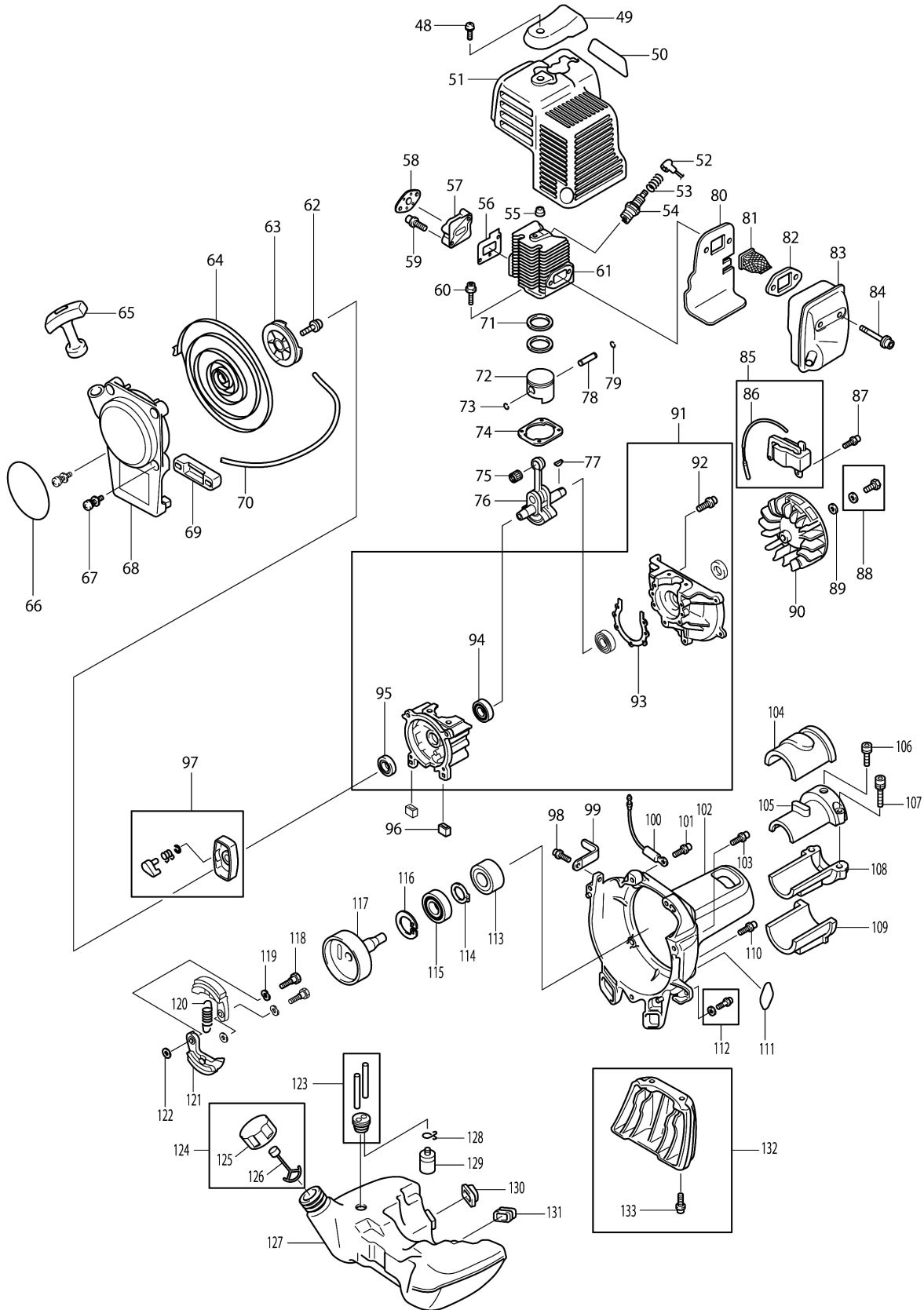
Model No.RBC3101 BRUSH CUTTER



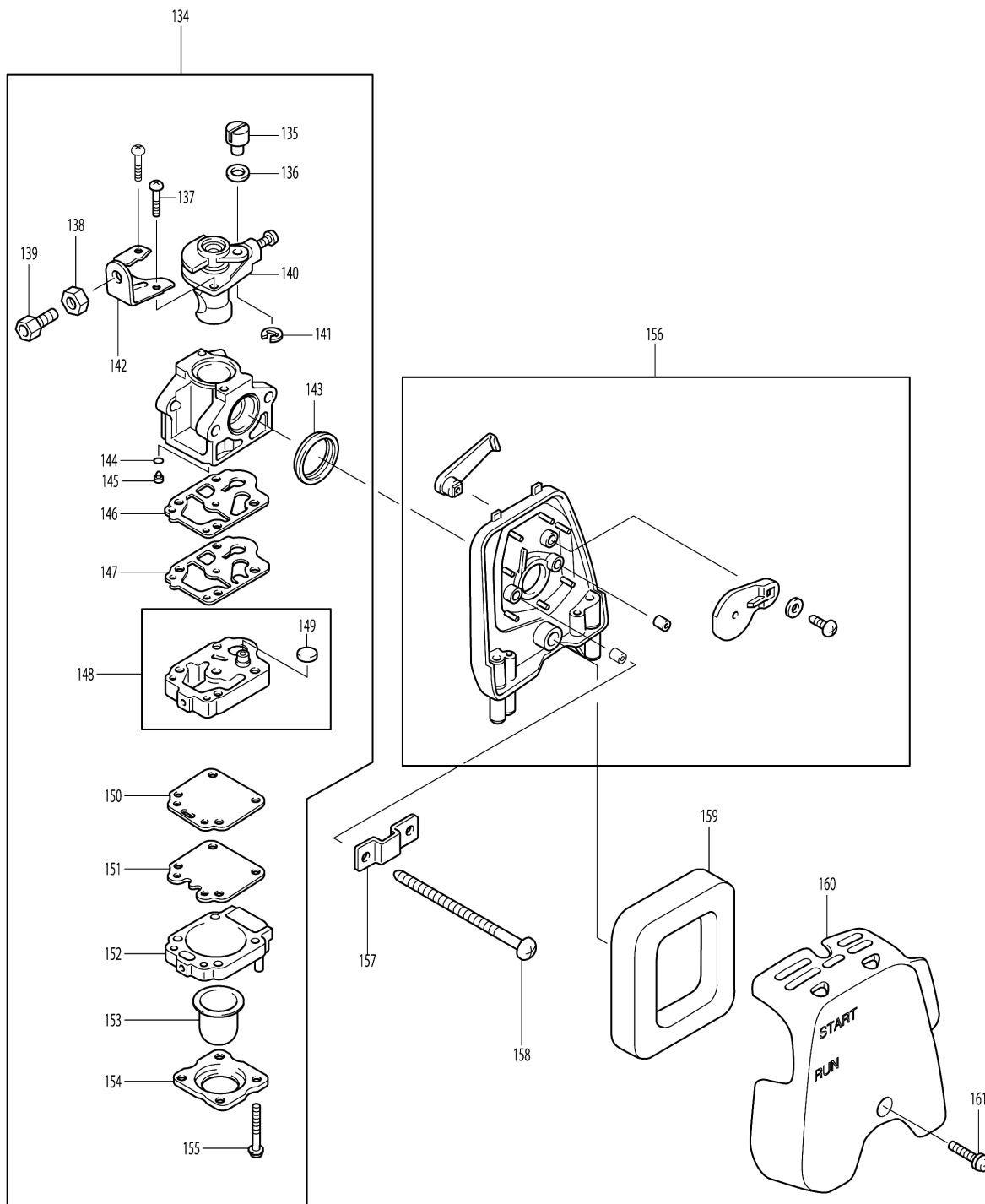
Model No.RBC3101 BRUSH CUTTER



Model No.RBC3101 BRUSH CUTTER



Model No.RBC3101 BRUSH CUTTER



Model No.RBC3101 BRUSH CUTTER

Item	Parts No.	Description	I/C	Qty	New/Old	Opt. 1	Opt. 2	Note
001	6274501000	GRIP		1	*			
001-1	273526-7	GRIP 18	O	1				
002	6274500700	HANDLE (LEFT)		1				
003	6254030001	HANDLE HOLDER ASS'Y		1				
D10		INC. 4,5						
004	0119059890	SOCKET HEAD BOLT M5X25		4	*			
004-1	266805-0	H.S.H.BOLT M5X25 WITH W	O	4				
005	0119059940	HEX. SOCKET HEAD BOLT M5X30		2				
006	6274500600	HANDLE (RIGHT)		1				
007	6278011001	PROTECTOR ASS'Y		1	*			
D10		INC. 8,11-13			*			
007-1	6278011002	PROTECTOR ASSY	O	1				
D10		INC. 8,11-13						
008	6278012001	PROTECTOR ASS'Y		1	*			
D10		INC. 9,10			*			
008-1	6278012002	PROTECTOR ASSY	O	1				
D10		INC. 9,10,162						
009	0100069790	BOLT M6X30		2	*			
009-1	0100069770	BOLT,CROSSRECESS	O	2	*			
009-2	266617-1	CROSS-RECESSED HEAD BOLT M6X23	O	2				
010	6278501000	PROTECTOR CLAMP		1				
011	0140059380	SCREW ASSEMBLY		2				
012	6258053001	PROTECTOR COMPLETE		1	*			
012-1	140424-9	PROTECTOR COMPLETE	O	1				
013	0021805000	NUT M5		2	*			
013-1	264035-7	HEX. NUT M5	O	2				
014	6279518500	CAUTION LABEL		1				
015	6277002000	HANGER ASS'Y		1				
D10		INC. 16						
016	0140059360	SCREW & WASHER ASS'Y		1	*			
016-1	266788-4	PAN HEAD SCREW M5X20 WITH WR	O	1				
017	6271019000	SHAFT PIPE COMPL		1				
018	6259514700	CAUTION LABEL		1	*			
018-1	808723-2	CAUTION LABEL	O	1				
019	6259514700	CAUTION LABEL		1	*			
019-1	808723-2	CAUTION LABEL	O	1				
020	6271500802	SHAFT		1				
021	0130069910	BOLT ASS'Y M6X14		1				
022	6273001008	GEAR CASE ASS'Y		1	*			
D10		INC. 23-37			*			
022-1	127021-8	GEAR CASE ASSEMBLY	O	1				

Please order the parts with part number.

Print Date 4/7/2019

Model No.RBC3101 BRUSH CUTTER

Item	Parts No.	Description	I/C	Qty	New/Old	Opt. 1	Opt. 2	Note
D10		INC. 23-37						
023	6413500600	OIL BOLT		1	*			
023-1	266671-5	HEX.SOCKET HEAD BOLT M10X9	O	1				
024	6212500300	BALL BEARING #609ZZ		2	*			
024-1	210049-4	BALL BEARING 609ZZ	O	2				
025	6253502600	OUTER SNAP RING		1				
026	0031424000	INNER SNAP RING		1	*			
026-1	257987-9	RETAINING RING (INT)R-24	O	1	*			
026-2	962103-7	RETAINING RING R-24	O	1				
027	6418500200	GUARD		1	*			
027-1	412099-7	GUARD	O	1				
028	0140059390	SCREW ASSEMBLY		3	*			
028-1	265195-8	+PAN HEAD SCREW M5X12	O	3				
029	0600079990	BALL BEARING 627ZZ		1	*			
029-1	210127-0	BALL BEARING 627ZZ	O	1	*			
029-2	210145-8	BALL BEARING 627ZZ	O	1				
030	0130069920	BOLT ASS'Y M6X30		1				
031	0600109970	BALL BEARING #6200DDU		1				
032	0031430000	INNER SNAP RING		1				
033	6253501300	SPACER		1				
034	6258503600	RECEIVE WASHER		1	*			
034-1	327195-7	RECEIVE WASHER	O	1				
035	6258500001	CLAMP WASHER		1	*			
035-1	327196-5	CLAMP WASHER	O	1				
036	6258505001	NUT		1	*			
036-1	264018-7	HEX.NUT M8	O	1				
037	6273013000	CUTTER SHAFT SET		1				
038	6275008000	CONTROL LEVER ASS'Y		1				
D10		INC. 39-41,43-47						
039	0119059980	SOCKET HEAD BOLT M5X30		1	*			
039-1	922252-2	HEX. SOCKET HEAD BOLT M5X30	O	1				
040	6195006060	TAPPING SCREW M4X20		2	*			
040-1	266584-0	TAPPING SCREW 4X20	O	2				
041	6275008010	WIRE SET		1				
D10		INC. 42						
042	6275005040	CONTROL CABLE		1				
043	6215022030	LEVER		1	*			
043-1	452277-7	LONG LEVER	O	1				
044	6195013010	LEVER		1	*			
044-1	452278-5	STOP LEVER	O	1				
045	6195006150	TOP		1	*			

Please order the parts with part number.

Print Date 4/7/2019

Model No.RBC3101 BRUSH CUTTER

Item	Parts No.	Description	I/C	Qty	New/Old	Opt. 1	Opt. 2	Note
045-1	451936-0	TOP	O	1				
046	6195006050	SPRING		1	*			
046-1	233568-3	TORSION SPRING	O	1				
047	6215022040	NUT M5		1	*			
047-1	264049-6	U NUT M5	O	1				
048	0140059490	SCREW		1				
049	5317501200	PLUG COVER		1				
050	6279505700	TRADE MARK LABEL "MAKITA"		1				
051	5315505400	CYLINDER COVER		1				
052	5317010030	PLUG CAP		1	*			
052-1	5317010030	PLUG CAP	O	1				
053	0654009931	PLUG CAP SPRING		1	*			
053-1	324891-8	PLUG CAP SPRING	O	1	*			
053-2	5317015040	PLUG CAP SPRING	O	1				
054	0650149721	SPARK PLUG		1	*			
054-1	168662-1	SPARK PLUG(BMR7A)	O	1				
055	5503503001	SPACER		1				
056	5313502300	INSULATOR GASKET		1				
057	5313021002	INSULATOR ASS'Y		1				
058	5103502801	SPACER GASKET		1	*			
058-1	442177-9	GASKET AIR CLEANER	O	1				
059	0119059631	SOCKET HEAD BOLT M5X20		2	*			
059-1	266590-5	HEX.S.HEAD BOLT M5X20 WITH WR	O	2	*			
059-2	266903-0	HEX.S.HEAD BOLT M5X20 WITH WR	<	2				
060	0119059950	SOCKET HEAD BOLT M5X18		4	*			
060-1	266844-0	HEX. S.H.BOLT M5X18 WITH W	O	4				
061	5311500201	CYLINDER		1	*			
061-1	5311500202	CYLINDER	O	1	*			
061-2	319255-9	CYLINDER	O	1				
062	5425003010	SET SCREW		1	*			
062-1	266580-8	TAPPING SCREW 5X10	O	1				
063	5315022020	REEL		1	*			
063-1	451923-9	REEL	O	1				
064	5025001020	SPIRAL SPRING		1	*			
064-1	232257-7	SPIRAL SPRING	O	1				
065	5215002110	STARTER KNOB		1	*			
065-1	424317-1	STARTER KNOB	O	1				
066	6279519300	MODEL LABEL		1				
067	0140059350	SCREW ASS'Y M5X18(W,SW)		4	*			
067-1	266699-3	PAN HEAD SCREW M5X18	O	4				
068	5315022010	STARTOR CASE COMPL		1	*			

Please order the parts with part number.

Print Date 4/7/2019

Model No.RBC3101 BRUSH CUTTER

Item	Parts No.	Description	I/C	Qty	New/Old	Opt. 1	Opt. 2	Note
068-1	5315021001	STARTER,REWIND	X	1	*			
068-2	126651-2	STARTER COVER ASSEMBLY	O	1				
069	5316503800	DAMPER		1	*			
069-1	422389-0	DAMPER	O	1				
070	5315022040	STARTER ROPE		1	*			
070-1	444018-5	STARTER ROPE	O	1				
071	5982500200	PISTON RING		2				
072	5312500601	PISTON		1	*			
072-1	319248-6	PISTON	O	1				
073	0565089970	CLIP		1	*			
073-1	233976-8	CLIP	O	1				
074	5311500301	CYLINDER GASKET		1				
075	0610089990	NEEDLE ROLLER BEARING		1				
076	5312012000	CRANK SHAFT COMPLETE		1	*			
076-1	144399-4	CRANKSHAFT COMPLETE	O	1				
077	0323039990	WOODRUFF KEY		1	*			
077-1	254040-2	WOODRUFF KEY 3	O	1				
078	5312500400	PISTON PIN		1				
079	0565089970	CLIP		1	*			
079-1	233976-8	CLIP	O	1				
080	5313504101	MUFFLER GASKET		1				
081	5243501400	SPARK ARRESTER		1				
082	5313500600	MUFFLER GASKET		1				
083	5313028000	EXHAUST MUFFLER		1				
084	0119059670	SOCKET HEAD BOLT M5X55		2				
085	5317015021	COIL		1	*			
D10		INC. 86			*			
085-1	5317015022	COIL ASS'Y	S	1				
D10		INC. 52,53,86						
086	5317015030	WIRE		1	*			
086-1	5317015030	WIRE	O	1				
087	0119049970	SOCKET HEAD BOLT M4X20		2				
088	0011306160	BOLT ASS'Y		1				
089	0200069920	WASHER M6		5	*			
089-1	267427-9	FLAT WASHER 7	O	5				
090	5317015010	FLYWHEEL		1				
091	5311007000	CRANKCASE COMPL		1				
D10		INC. 92-95						
092	0140059790	SCREW M5X25		5	*			
092-1	266805-0	H.S.H.BOLT M5X25 WITH W	O	5				
093	5311501200	CRANKCASE GASKET		1				
094	0600129850	BALL BEARING 6001C3 UR		2	*			

Please order the parts with part number.

Print Date 4/7/2019

Model No.RBC3101 BRUSH CUTTER

Item	Parts No.	Description	I/C	Qty	New/Old	Opt. 1	Opt. 2	Note
094-1	210113-1	BALL BEARING 6001	O	2				
095	0440129970	OIL SEAL		2	*			
095-1	213628-7	OIL SEAL	O	2				
096	5216500200	DAMPER		2	*			
096-1	424446-0	DAMPER	O	2				
097	5315023000	PULLEY		1	*			
097-1	165606-2	PULLEY	O	1	*			
097-2	168827-5	PULLEY	O	1				
098	0140059370	SCREW ASS'Y M5X12		1	*			
098-1	266808-4	P.H.SCREW M5X12 WITH WR	O	1				
099	0566059980	CLAMP		1	*			
099-1	345963-6	CLAMP	O	1				
100	6165500201	WIRE		1	*			
100-1	638784-6	WIRE	O	1				
101	0119059870	SOCKET HEAD BOLT M5X18		1	*			
101-1	266787-6	H.S.H.BOLT M5X18 WITH WR	O	1				
102	6271502200	CLUTCH CASE		1				
103	0119059870	SOCKET HEAD BOLT M5X18		1	*			
103-1	266787-6	H.S.H.BOLT M5X18 WITH WR	O	1				
104	6241501200	PIPE DAMPER 1		1	*			
104-1	422393-9	PIPEDAMPER 1	O	1				
105	6271502000	PIPE BRACKET 1		1				
106	0119059900	SOCKET HEAD BOLT M5X12		1				
107	0119059950	SOCKET HEAD BOLT M5X18		2	*			
107-1	266844-0	HEX. S.H.BOLT M5X18 WITH W	O	2				
108	6271502100	PIPE BRACKET 2		1				
109	6241501300	PIPE DAMPER 2		1	*			
109-1	422394-7	PIPE DAMPER 2	O	1				
110	0119059870	SOCKET HEAD BOLT M5X18		3	*			
110-1	266787-6	H.S.H.BOLT M5X18 WITH WR	O	3				
111	6279516201	LABEL		1				
112	0140059370	SCREW ASS'Y M5X12		1	*			
112-1	266808-4	P.H.SCREW M5X12 WITH WR	O	1				
113	6271502300	SPACER		1				
114	0031512000	OUTER SNAP RING		1	*			
114-1	961052-5	RETAINING RING S-12	O	1				
115	0600129810	BALL BEARING		1	*			
115-1	210111-5	BALL BEARING 6201LLU	O	1				
116	0031432000	INNER SNAP RING		1	*			
116-1	962151-6	RETAINING RING R-32	O	1				
117	6272006000	CLUTCH DRUM COMPLETE		1				
118	5318500503	CLUTCH BOLT M8X13		2	*			

Please order the parts with part number.

Print Date 4/7/2019

Model No.RBC3101 BRUSH CUTTER

Item	Parts No.	Description	I/C	Qty	New/Old	Opt. 1	Opt. 2	Note
118-1	266571-9	SHOULDER HEX. BOLT M8X23	O	2				
119	0204109990	WAVE WASHER		2	*			
119-1	0200109870	WAVE WASHER	O	2	*			
119-2	267832-0	WAVE WASHER 10	O	2	*			
119-3	267849-3	WAVE WASHER 10	O	2				
120	5318004010	CLUTCH SPRING		1	*			
120-1	AN02010000	TENSION SPRING 9	S	1	*			
120-2	AN02010C00	TENSION SPRING 9	O	1				
121	5318003010	CLUTCH SHOE		2	*			
121-1	168563-3	CLUTCH SHOE	O	2	*			
121-2	125757-3	CLUTCH ASSEMBLY	S	1				
C10	AN04002000	CLUTCH SHOE		2				
D10		INC. 120						
122	0200089800	WASHER		2	*			
122-1	267424-5	FLAT WASHER 8	O	2				
123	0851179940	TUBE		1				
124	5256059000	FUEL TANK CAP COMPLETE		1	*			
D10		INC. 125,126			*			
124-1	168668-9	FUEL TANK CAP COMPLETE	O	1				
D10		INC. 125,126						
125	5256058000	FUEL TANK CAP		1	*			
125-1	452920-8	FUEL TANK CAP	O	1				
126	5256067000	STRAP		1	*			
126-1	140436-2	STRAP COMPLETE	O	1				
127	5316503700	FUEL TANK		1				
128	0561059990	HOSE CLAMP		1	*			
128-1	345920-4	HOSE CLAMP	O	1				
129	5236503900	FILTER		1	*			
129-1	163447-0	FUEL FILTER	O	1	*			
129-2	163447-0	FUEL FILTER	O	1				
130	5036500200	PLATE		1	*			
130-1	424102-2	PLATE	O	1				
131	5036500300	PLATE		1	*			
131-1	424103-0	PLATE	O	1				
132	5219002000	STAND SET		1	*			
D10		INC. 133			*			
132-1	195144-0	STAND SET	O	1				
D10		INC. 133						
133	0140059480	SCREW ASS'Y M5X14		2	*			
133-1	266809-2	P.H.SCREW M5X14 WITH WR	O	2				
134	5316021000	CARBURETOR		1				
D10		INC. 135-148,150-155						

Please order the parts with part number.

Print Date 4/7/2019

Model No.RBC3101 BRUSH CUTTER

Item	Parts No.	Description	I/C	Qty	New/Old	Opt. 1	Opt. 2	Note
135	5236018040	SWIVEL		1	*			
135-1	325922-6	SWIVEL	O	1				
136	5426005030	WASHER		1	*			
136-1	413140-9	WASHER	O	1				
137	5246001240	THROTTLE COLLAR SCREW		2	*			
137-1	266704-6	PAN HEAD SCREW M3X10	O	2				
138	5316005450	CABLE ADJUST NUT		1	*			
138-1	264065-8	CABLE ADJUST NUT M6	O	1				
139	5316020020	CABLE ADJUST SCREW		1	*			
139-1	326084-3	CABLE ADJUST SCREW M6X13	O	1				
140	5196002010	THROTTLE VALVE ASS'Y		1				
141	5316005120	RING		1	*			
141-1	257964-1	STOP RING E-3	O	1				
142	5236052020	BRACKET CABLE		1	*			
142-1	346491-4	BRACKET CABLE	O	1				
143	5236018020	RING PACKING		1	*			
143-1	424444-4	PACKING RING	O	1				
144	5246001010	O RING		1	*			
144-1	213538-8	O RING 2	O	1				
145	5036002010	JET		1				
146	5246001030	PUMP GASKET		1	*			
146-1	442172-9	PUMP GASKET	O	1				
147	5246001040	PUMP DIAPHRAGM		1	*			
147-1	168575-6	PUMP DIAPHRAGM	O	1	*			
147-2	WJ00009599	PUMP DIAPHRAGM	O	1				
148	5236046130	PUMP BODY ASS'Y		1	*			
D10		INC. 149			*			
148-1	140989-1	PUMP BODY ASSEMBLY	O	1				
D10		INC. 149						
149	5016004010	INLET SCREEN		1	*			
149-1	352010-6	INLET SCREEN	O	1	*			
149-2	WJ00014070	INLET SCREEN	O	1				
150	5236046040	METERING DIAPHRAGM GASKET		1	*			
150-1	442154-1	METERING DIAPHRAGM GASKET	O	1				
151	5316005250	METERING DIAPHRAGM ASS'Y		1	*			
151-1	168767-7	METERING DIAPHRAGM	O	1				
152	5236046060	AIR PURGE BODY ASS'Y		1	*			
152-1	140988-3	AIR PURGE BODY ASSEMBLY	O	1				
153	5246001150	PRIMER PUMP		1	*			
153-1	424314-7	PRIMER PUMP	O	1				
154	5236046050	PRIMER PUMP COVER		1	*			

Please order the parts with part number.

Print Date 4/7/2019

Model No.RBC3101 BRUSH CUTTER

Item	Parts No.	Description	I/C	Qty	New/Old	Opt. 1	Opt. 2	Note
154-1	346270-0	PRIMER PUMP COVER	O	1				
155	5236046010	PUMP COVER SCREW		4	*			
155-1	266582-4	TAPPING SCREW 3X24	O	4				
156	5253022000	CLEANER PLATE ASS'Y		1	*			
156-1	5253022001	PLATE,CLEANER ASSY	O	1				
157	5013502400	AIR CLEANER PLATE ASSY		1	*			
157-1	346489-1	AIR CLEANER PLATE	O	1				
158	0043105550	SCREW M5X55		2				
159	5233504700	AIR CLEANER ELEMENT		1	*			
159-1	443167-5	AIR CLEANER ELEMENT	O	1				
160	5253501300	AIR CLEANER CASE		1	*			
160-1	5253501300	AIR CLEANER CASE	O	1	*			
160-2	453410-4	CASE AIR CLEANER	O	1				
161	0140059480	SCREW ASS'Y M5X14		1	*			
161-1	266809-2	P.H.SCREW M5X14 WITH WR	O	1				
162	413143-3	WASHER		2				
A01	6111502700	WIRE CLAMP		2	*			
A01-1	450563-0	CLAMP	O	2				

Please order the parts with part number.

Print Date 4/7/2019