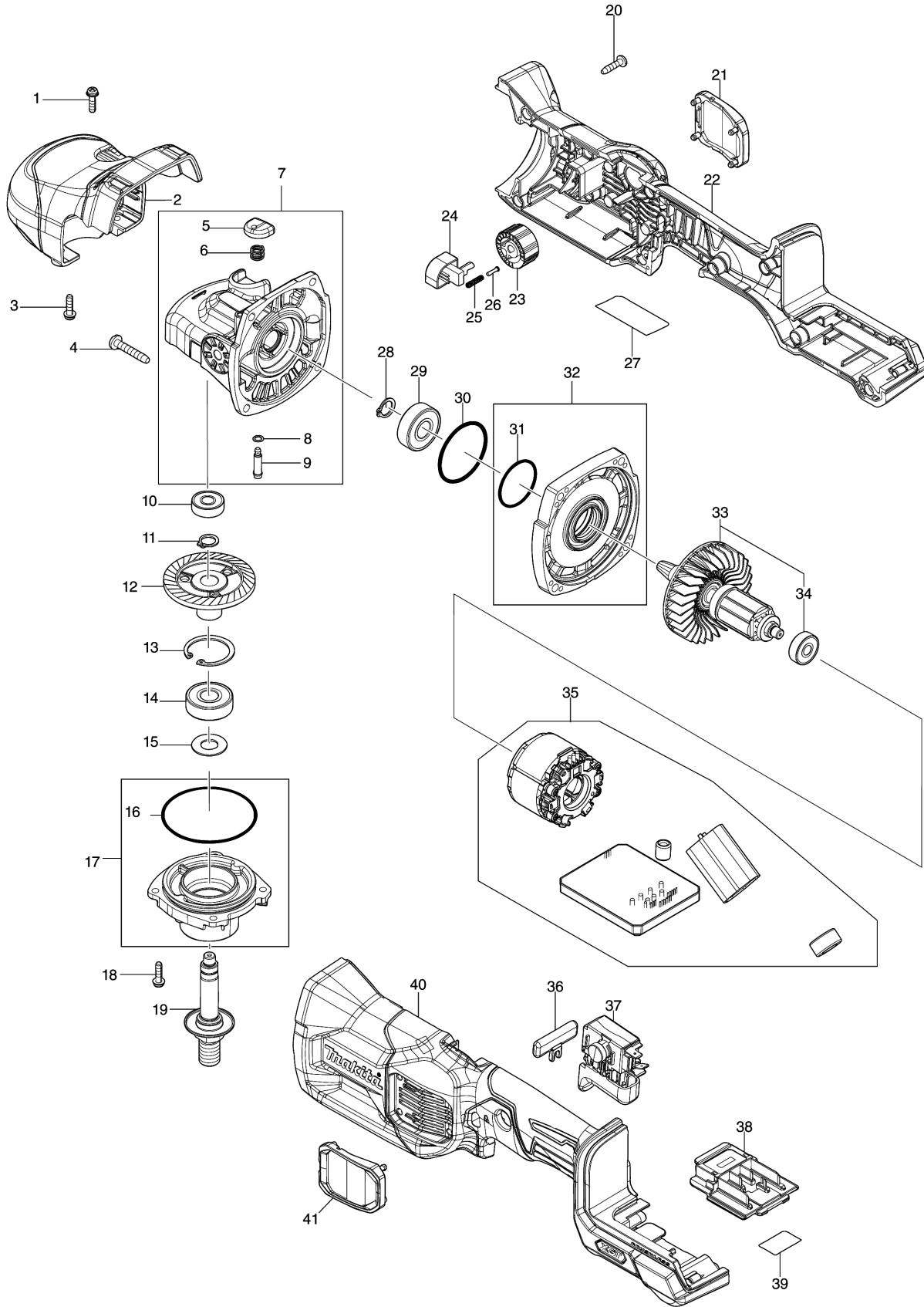


Model No.PV001G 180MM CORDLESS POLISHER





Model No.PV001G 180MM CORDLESS POLISHER

| Item | Parts No. | Description              | I/C | Qty | New/Old | Opt. 1 | Opt. 2 | Note |
|------|-----------|--------------------------|-----|-----|---------|--------|--------|------|
| 001  | 911128-8  | P.H.SCREW M4X16 WITH WR  |     | 2   |         |        |        |      |
| 002  | 413F66-1  | HEAD COVER               |     | 1   |         |        |        |      |
| 003  | 911128-8  | P.H.SCREW M4X16 WITH WR  |     | 2   |         |        |        |      |
| 004  | 266173-1  | TAPPING SCREW 5X30       |     | 4   |         |        |        |      |
| 005  | 412234-7  | PIN CAP                  |     | 1   |         |        |        |      |
| 006  | 233072-2  | COMPRESSION SPRING 8     |     | 1   |         |        |        |      |
| 007  | 136628-9  | GEAR HOUSING ASS'Y       |     | 1   |         |        |        |      |
| C10  | 263002-9  | RUBBER PIN 4             |     | 1   |         |        |        |      |
| D10  |           | INC. 5,6,8,9             |     |     |         |        |        |      |
| 008  | 213960-9  | O RING 5                 |     | 1   |         |        |        |      |
| 009  | 256546-6  | SHOULDER PIN 4           |     | 1   |         |        |        |      |
| 010  | 210029-0  | BALL BEARING 608ZZ       |     | 1   |         |        |        |      |
| 011  | 961052-5  | RETAINING RING S-12      |     | 1   |         |        |        |      |
| 012  | 227953-0  | SPIRAL BEVEL GEAR 52     |     | 1   |         |        |        |      |
| 013  | 962151-6  | RETAINING RING R-32      |     | 1   |         |        |        |      |
| 014  | 211106-1  | BALL BEARING 6201LLB     |     | 1   |         |        |        |      |
| 015  | 267113-2  | FLAT WASHER 12           |     | 1   |         |        |        |      |
| 016  | 213654-6  | O RING 60                |     | 1   |         |        |        |      |
| 017  | 136629-7  | BEARING BOX ASS'Y        |     | 1   |         |        |        |      |
| D10  |           | INC. 16                  |     |     |         |        |        |      |
| 018  | 911128-8  | P.H.SCREW M4X16 WITH WR  |     | 4   |         |        |        |      |
| 019  | 141J24-8  | SPINDLE COMPLETE         |     | 1   |         |        |        |      |
| 020  | 265995-6  | TAPPING SCREW 4X18       |     | 10  |         |        |        |      |
| 021  | 422871-9  | DUST COVER               |     | 1   |         |        |        |      |
| 022  | 183V37-5  | MOTOR HOUSING SET        |     | 1   |         |        |        |      |
| C10  | 263005-3  | RUBBER PIN 6             |     | 2   |         |        |        |      |
| C20  | 8005T5-8  | XGT LOGO LABEL           |     | 1   |         |        |        |      |
| D10  |           | INC. 40                  |     |     |         |        |        |      |
| 023  | 271472-8  | DIAL 28                  |     | 1   |         |        |        |      |
| 024  | 620415-1  | SUB CONTROLLER           |     | 1   |         |        |        |      |
| 025  | 233002-3  | COMPRESSION SPRING 3     |     | 1   |         |        |        |      |
| 026  | 255058-6  | RIVET 2                  |     | 1   |         |        |        |      |
| 027  | 8115Y5-8  | PV001G NAME PLATE        |     | 1   |         |        |        |      |
| 028  | 961052-5  | RETAINING RING S-12      |     | 1   |         |        |        |      |
| 029  | 211137-0  | BALL BEARING 6201LLU     |     | 1   |         |        |        |      |
| 030  | 213842-5  | O-RING 40                |     | 1   |         |        |        |      |
| 031  | 213459-4  | O RING 32                |     | 1   |         |        |        |      |
| 032  | 136630-2  | GEAR HOUSING COVER ASS'Y |     | 1   |         |        |        |      |
| D10  |           | INC. 31                  |     |     |         |        |        |      |
| 033  | 519738-1  | ROTOR ASS'Y              |     | 1   |         |        |        |      |
| D10  |           | INC. 34                  |     |     |         |        |        |      |
| 034  | 210023-2  | BALL BEARING 627DDW      |     | 1   |         |        |        |      |

Model No.PV001G 180MM CORDLESS POLISHER

| Item | Parts No. | Description                    | I/C | Qty | New/Old | Opt. 1 | Opt. 2 | Note |
|------|-----------|--------------------------------|-----|-----|---------|--------|--------|------|
| 035  | 629B09-1  | STATOR COMPLETE                |     | 1   |         |        |        |      |
| 036  | 458972-7  | LOCK OFF BUTTON                |     | 1   |         |        |        |      |
| 037  | 650020-0  | SWITCH C3JR-4B-2L              |     | 1   |         |        |        |      |
| 038  | 632P65-6  | TERMINAL UNIT                  |     | 1   |         |        |        |      |
| 039  | 8116A3-0  | PV001G SERIAL NO. LABEL        |     | 1   |         |        |        |      |
| 040  | 183V37-5  | MOTOR HOUSING SET              |     | 1   |         |        |        |      |
| C10  | 263005-3  | RUBBER PIN 6                   |     | 2   |         |        |        |      |
| C20  | 8005T5-8  | XGT LOGO LABEL                 |     | 1   |         |        |        |      |
| D10  |           | INC. 22                        |     |     |         |        |        |      |
| 041  | 422871-9  | DUST COVER                     |     | 1   |         |        |        |      |
| A01  | 262542-4  | SLEEVE 18                      |     | 1   |         |        |        |      |
| A02  | 413F67-9  | LOOP HANDLE                    |     | 1   |         |        |        |      |
| A03  | 743053-3  | PAD 165                        |     | 1   |         |        |        |      |
| A04  | 192629-7  | WOOL PAD 180                   |     | 1   |         |        |        |      |
| A05  | 266171-5  | HEX. SOCKET HEAD BOLT<br>M8X25 |     | 2   |         |        |        |      |
| A06  | 783204-6  | HEX. WRENCH 6                  |     | 1   |         |        |        |      |
| A07  | 158237-4  | GRIP 36 COMPLETE               |     | 1   |         |        |        |      |
| A08  | 422871-9  | DUST COVER                     |     | 2   |         |        |        |      |
| A09B | ***DC40RA | DC40RA FAST CHARGER            |     | 1   |         |        |        |      |
| D10  |           | COMPO-PARTS                    |     |     |         |        |        |      |
| A10B | 191B26-6  | BATTERY BL4040 SET             |     | 1   |         |        |        |      |
| A11B | 832411-9  | TOOL BAG                       |     | 1   |         |        |        |      |

Please order the parts with part number.

Print Date 8/12/2021